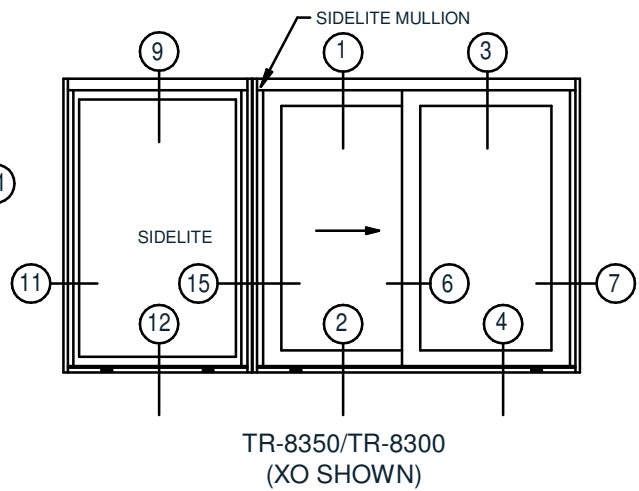
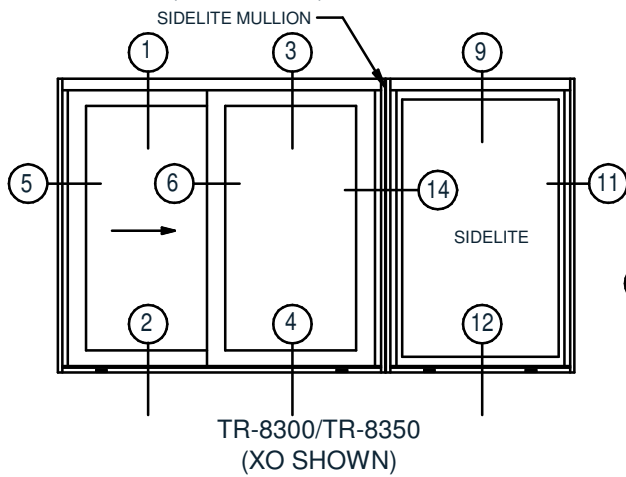
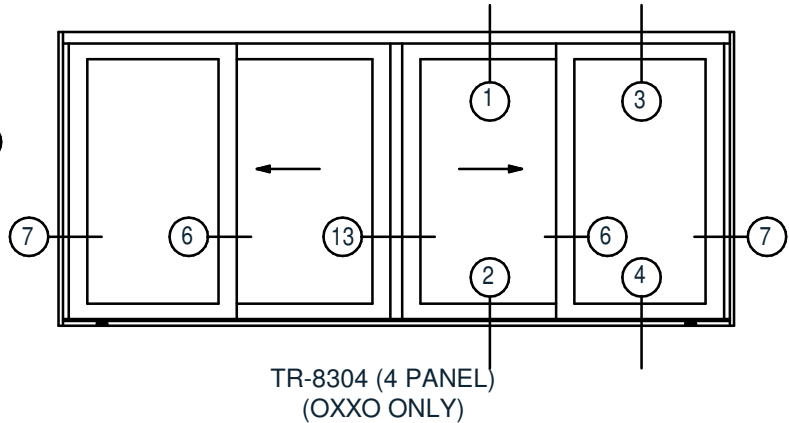
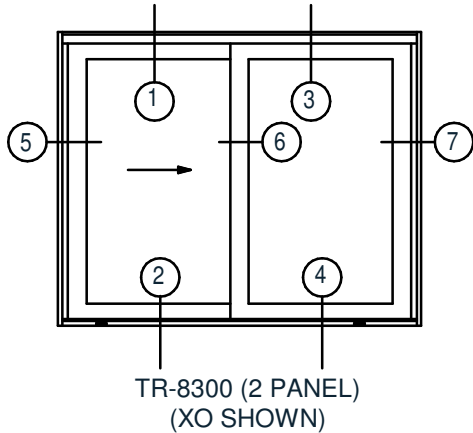
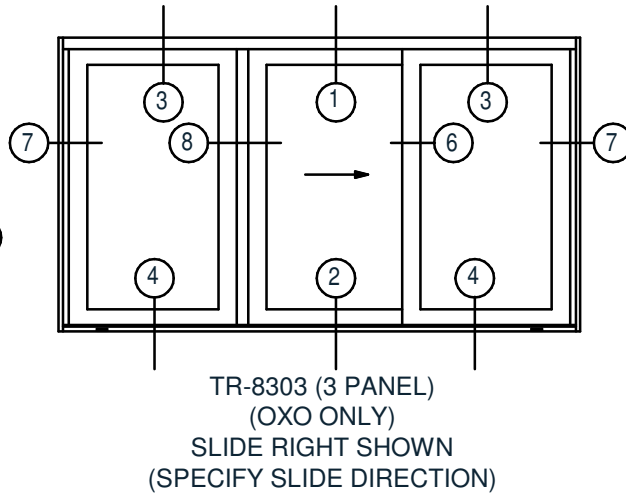
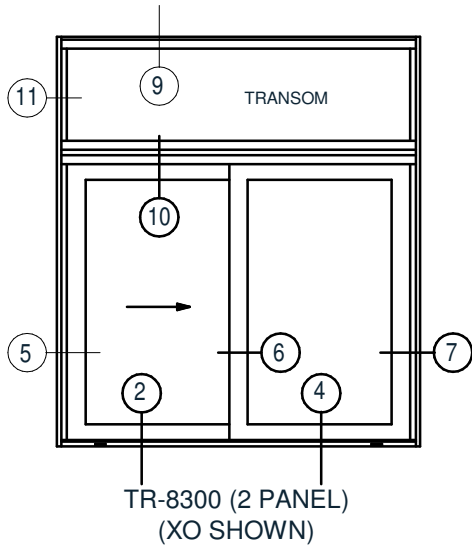
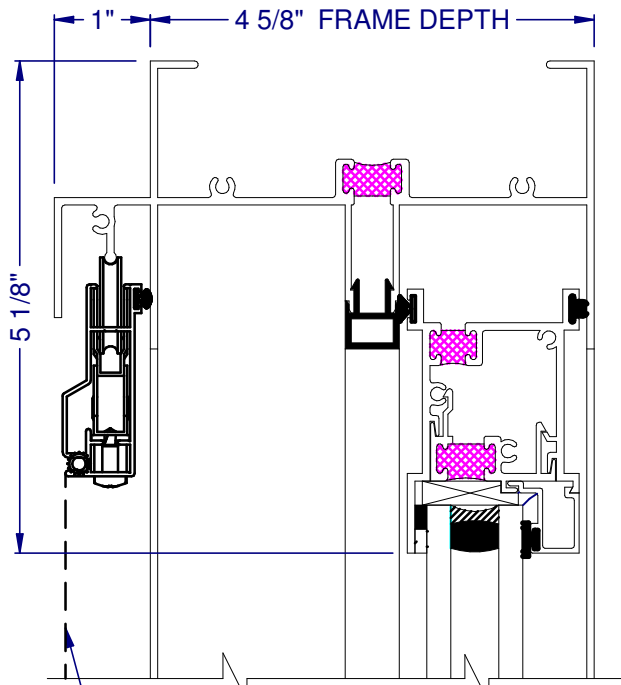


ELEVATIONS

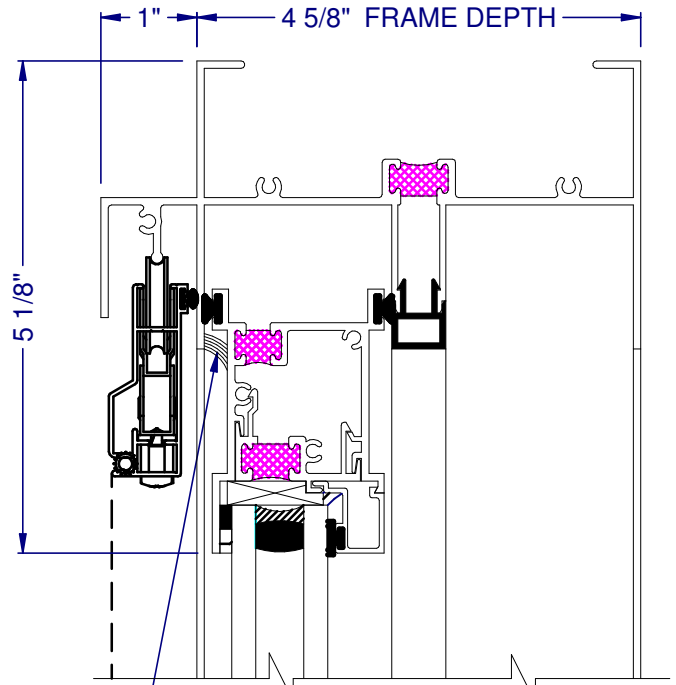
SERIES TR-8300
SLIDING GLASS DOOR



Half Scale Sections



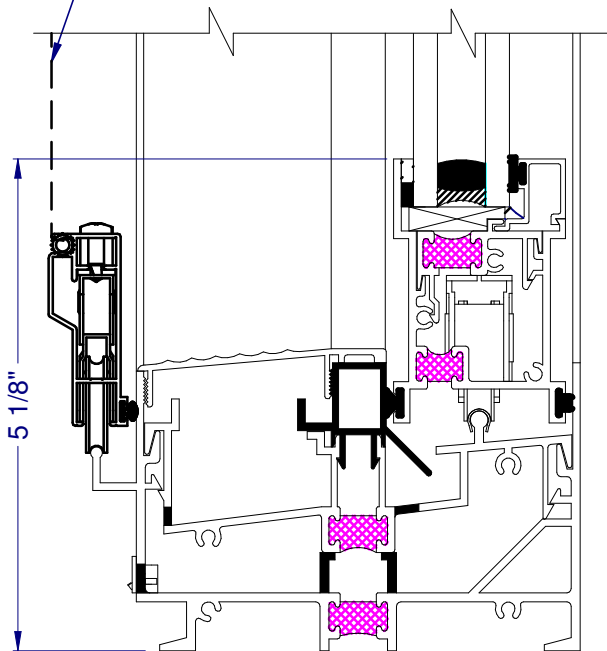
① OPERATING HEAD



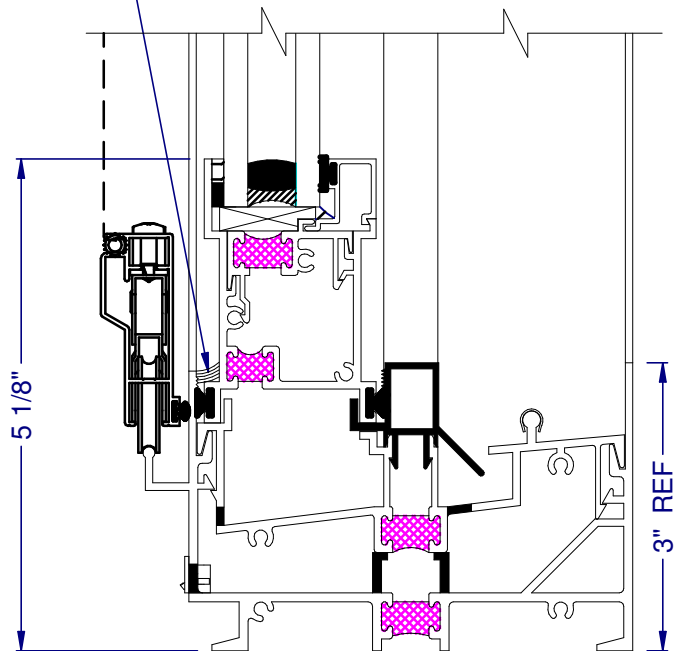
③ FIXED HEAD

OPTIONAL SCREEN

FIELD SEAL
NOT BY TRACO



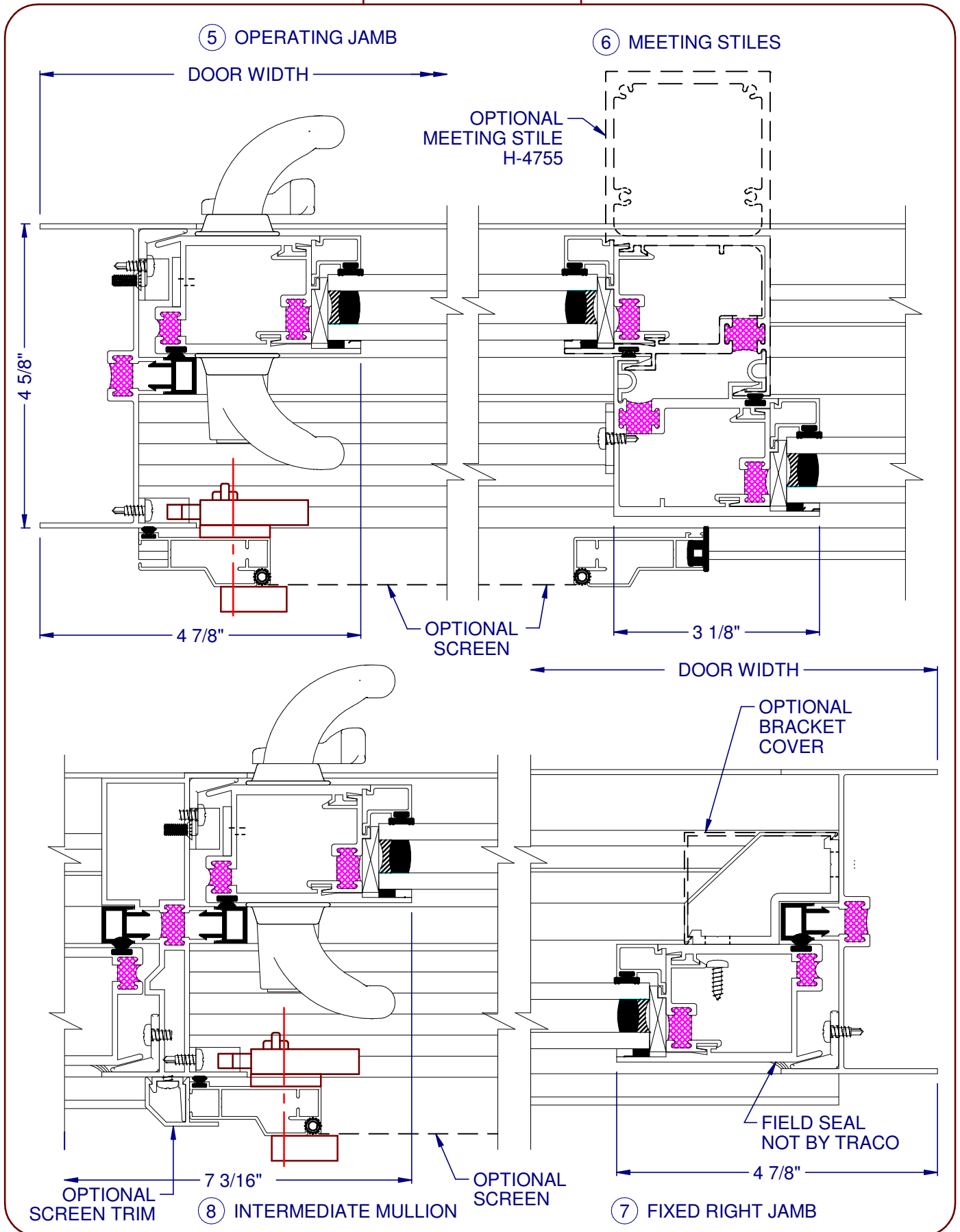
② OPERATING SILL



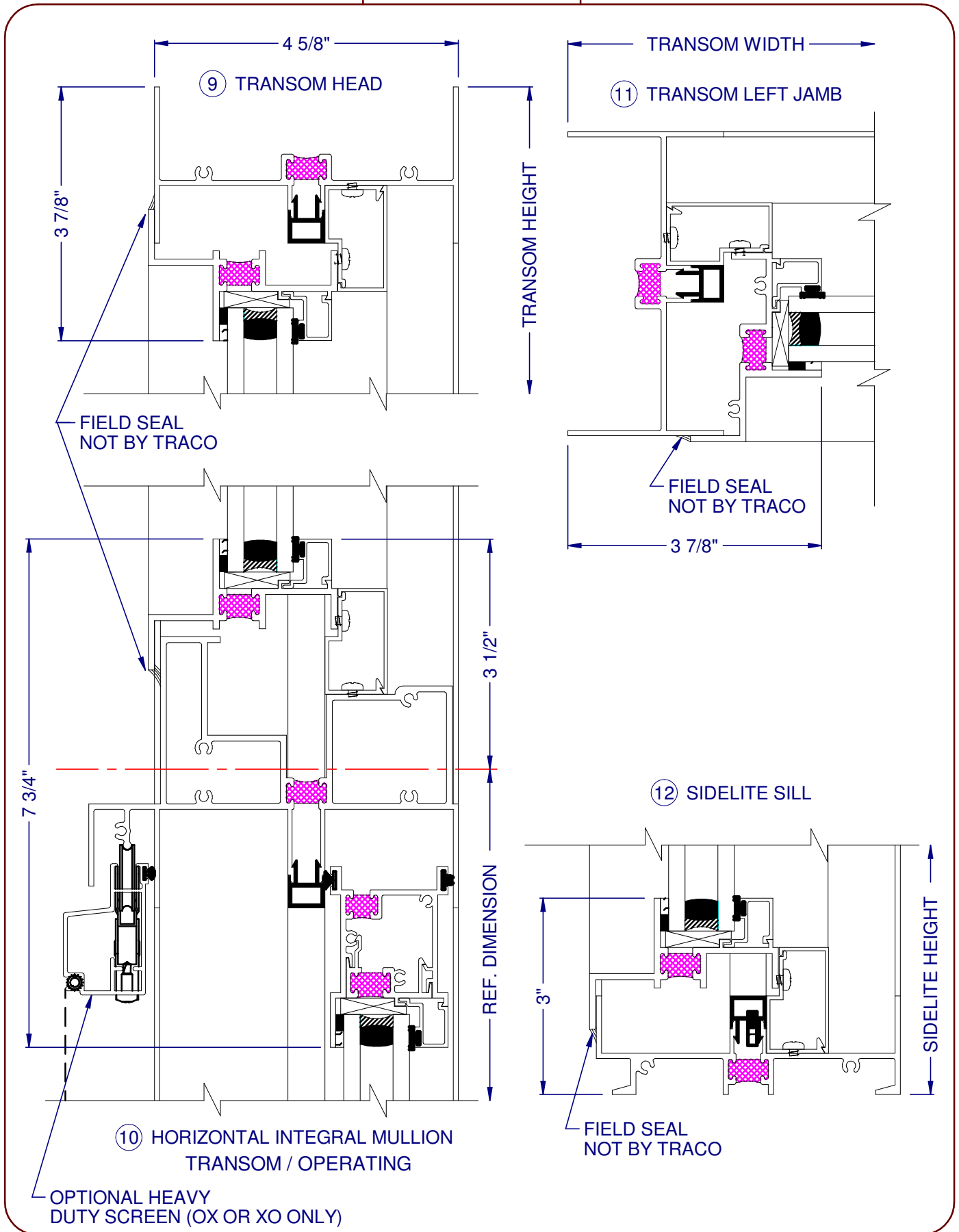
④ FIXED SILL

STANDARD 10 PSF SILL SHOWN
REFER TO PAGE 5 OF 8 FOR OPTIONAL SILLS

Half Scale Sections

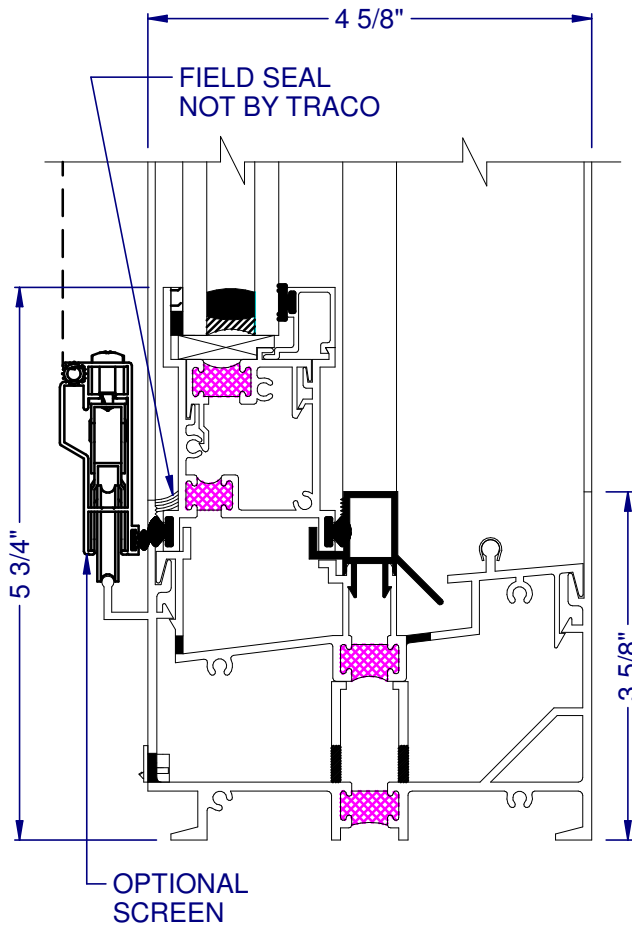
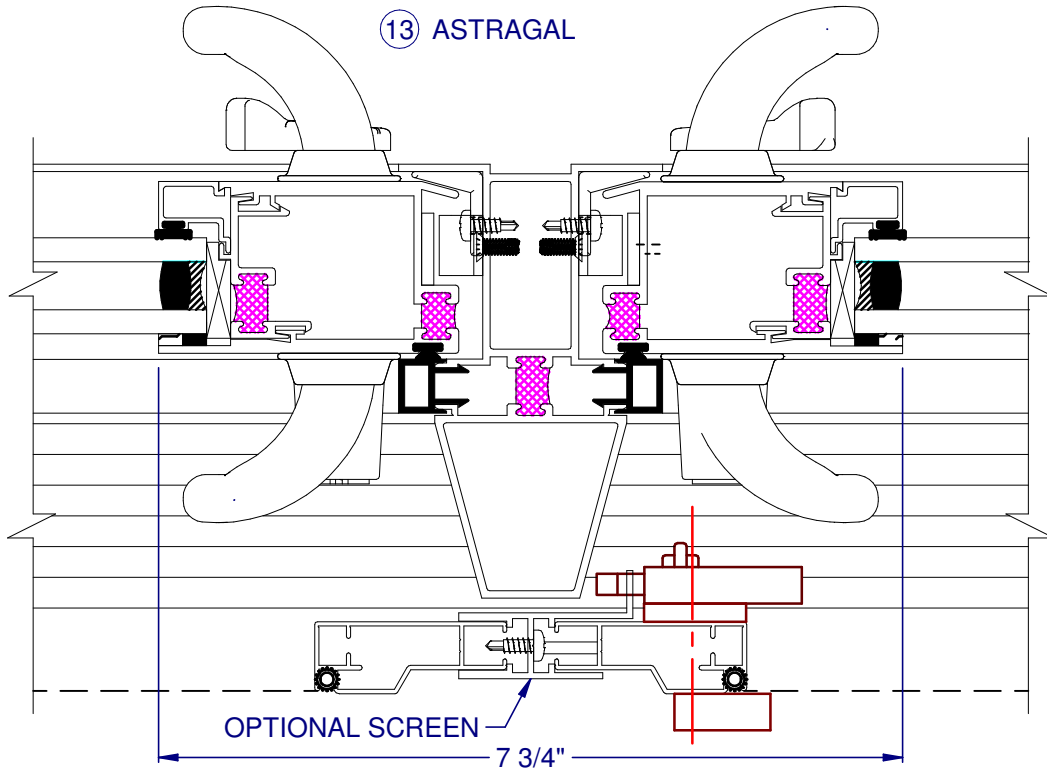


Half Scale Sections

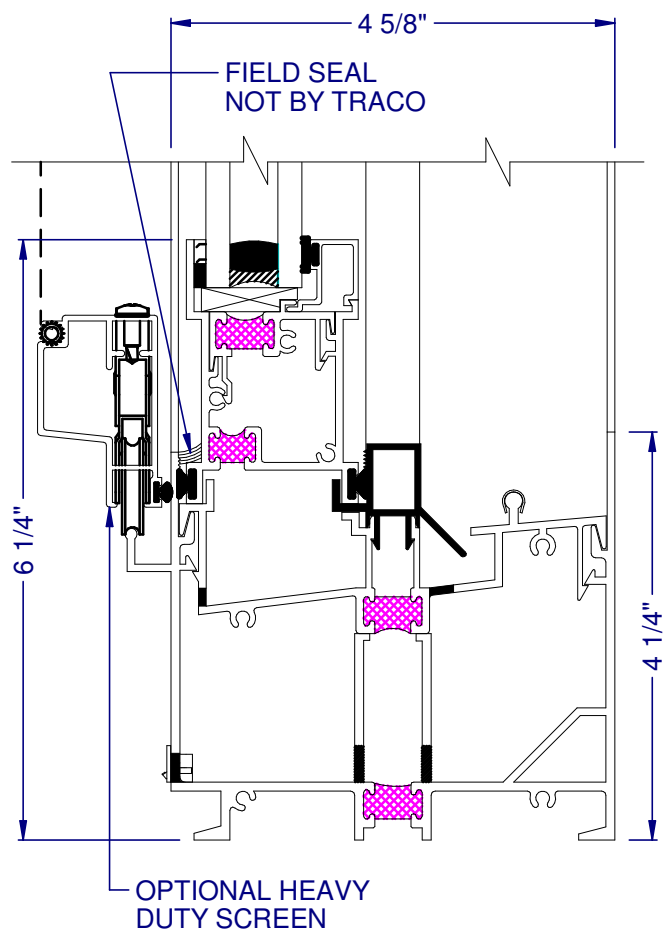


Half Scale Sections

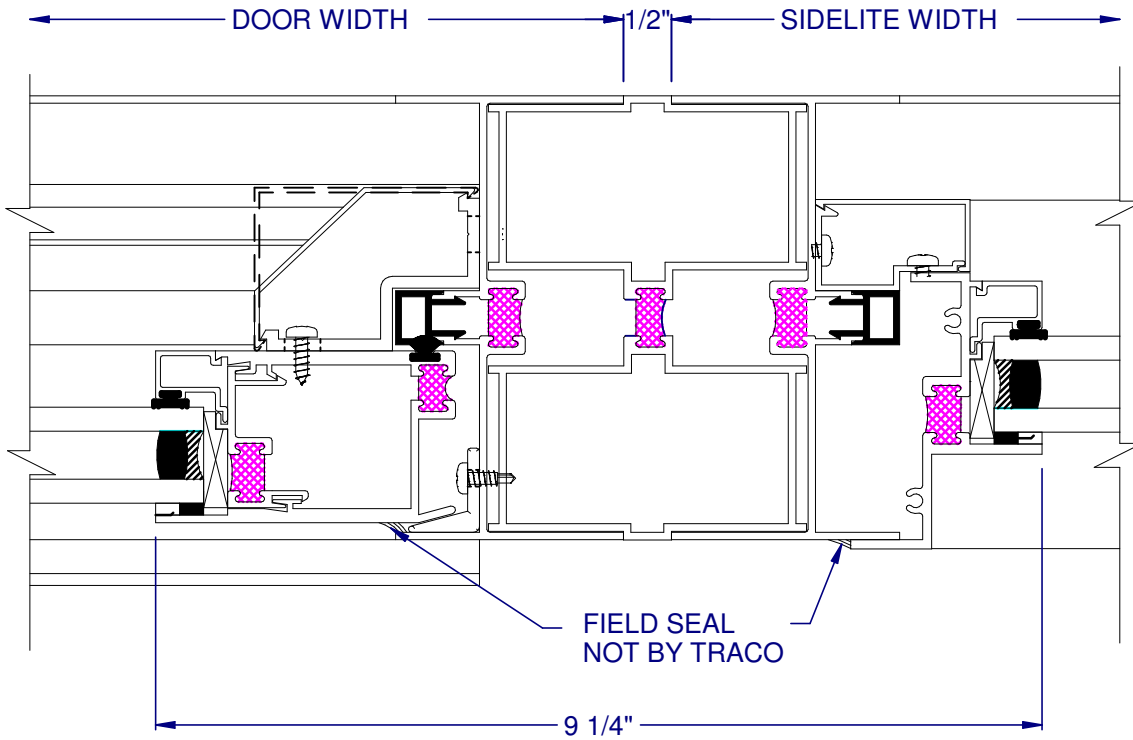
⑬ ASTRAGAL



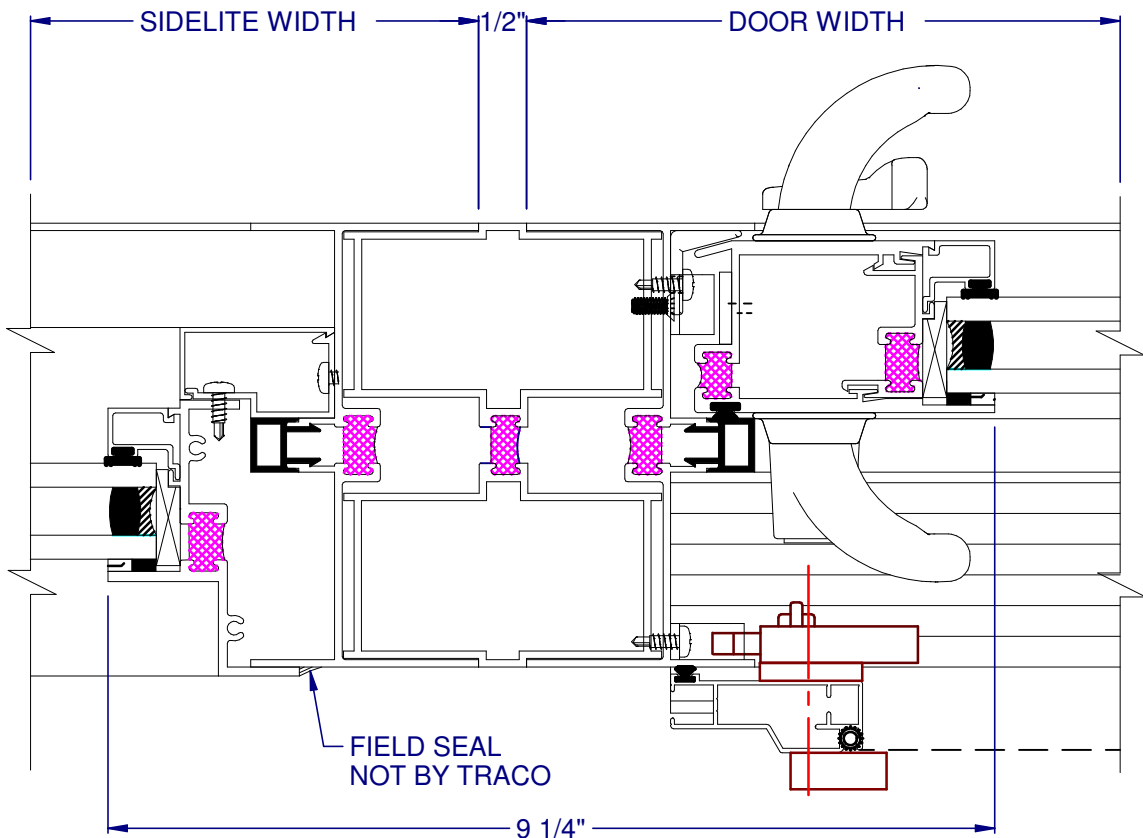
OPTIONAL 12 PSF SILL



OPTIONAL 15 PSF SILL



⑭ VERTICAL MULLION (FIXED/SIDELITE)



Handling Guidelines

Door Installation

1. Refer to the TRACO TR-8300 Assembly and Installation Instructions in each frame package.
 - Door frames are supplied “KD” (*knocked down*) for field assembly and field sealing
 - Operating (“X”) and fixed (“O”) panels, and optional screens are factory-glazed.
 - Door locking hardware is supplied in a kit to be field assembly onto door panels and frame.
 - Doors shall be installed square, plumb, and level without binding.
 - Insulation should be inserted between the door frame and the opening.
 - Refer to the approved shop drawings for blocking, anchor, and sealant details.
 - Refer to the sealant manufacturer’s guidelines for sealant selection and application.
 - Adjust hardware, if required, after operating panels are in frame and wheels are adjusted.
 - Verify that the weep hole covers are working properly and not covered with sealant.

Operation/Reglazing

- **To Unlock Panel:** Unlatch the jamb plunger to unlock the panel and while holding handle, slide the panel to the open position desired. To close panel, slide to closed position and re-engage plunger.
- **To Remove Panel:** Open operating panel, withdraw wheels into panel sill rail, raise panel into head pocket, and remove operating panel to interior. Remove threshold, remove screws from exterior angles holding fixed panel, remove cover and screws from interior jamb brackets, raise fixed panel into head pocket, and remove fixed panel to exterior. Store panels upside down to avoid wheel or wheel housing damage.
- **To Reglaze Panel:** Remove the four interior aluminum glazing beads. Carefully remove the glass from the exterior glazing tape. Replace glazing tape and reverse procedure to reglaze glass.
- **To Adjust Panel Rolling:** Locate screws in concealed holes on the interior face of the operating panel and raise/lower wheels by turning screw.

Maintenance

Your new TRACO door will last for many years with a minimum of maintenance and routine care when this schedule is followed:

- **Every Three Months:** Vacuum the door frame sill to remove debris, dirt or foreign matter which may have accumulated and clogged the weep (water drainage) slots. Inspect for broken or missing parts and weatherstripping.
- **Every Six Months:** Clean the door frame, sill and jambs to remove any buildup, dirt sludge or grime which may interfere with the roller system.
- **Once Per Year:** Lubricate the rollers and locking mechanisms with silicone spray or lubricant to ease operation and reduce excessive friction. Inspect all working components for excessive wear or breakage.

Contact your nearest TRACO dealer for replacement parts as required.

Hardware

The TRACO Warranty Label, found on every TRACO product, provides important information:

Order #	712070	04/11/05	Order Date
Model #	TR9000 B3 B3	OBDS A ,CLDS A	Glass Type
Window Size	SIZE 48 X 95	60.1006, 60.0001	
Glass Size	GLASS 42 5/8 X 44 3/8		
** WARRANTY *** DO NOT REMOVE **			

The Warranty Label is located on the outside top of the door rail.

When ordering parts, please provide Order # from Warranty Label (above), Part #, and Part Name.



Black Lock Handle (Standard)
#30-3490.16

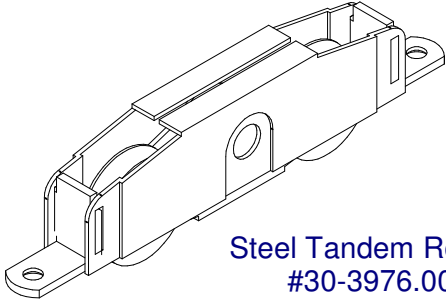
Lock #30-3306

Lock Screws #15-0192

Keeper #30-2525

Keeper Screws #15-0129

Optional Handles Available
Contact Your Traco Representative




Steel Tandem Roller
#30-3976.00

Screws
#15-0192

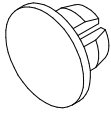
Optional Stainless Steel Tandem Roller
#30-3976.02



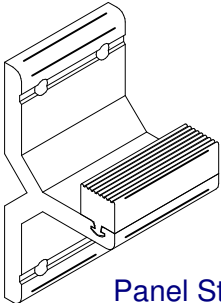
Weep Cover
Black #30-3886.16
White #30-3886.10



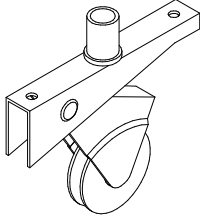
SS Roller Track
8 Feet #30-0338
10 Feet #30-0339



Roller Hole Plug
Black #30-0341
White #30-0340

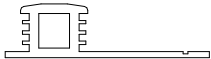


Panel Stop
#50-0321



Steel Screen Roller
#30-0782

Optional SS Screen Roller
#30-3081



Screen Bug Flap
#20-0276
-specify length