

ESTIMATING/TAKE-OFF AND ORDERING GUIDE

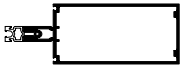
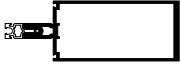
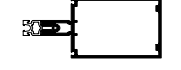



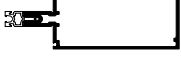
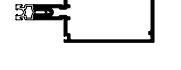
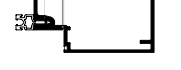

Laws and building and safety codes governing the design and use of Kawneer products, such as glazed entrance, window, and curtain wall products, vary widely. Kawneer does not control the selection of product configurations, operating hardware, or glazing materials, and assumes no responsibility therefor.

Kawneer reserves the right to change configuration without prior notice when deemed necessary for product improvement.
© 2011, Kawneer Company, Inc.

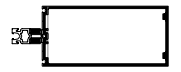
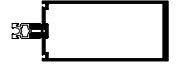
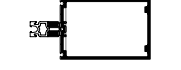
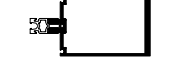
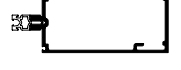

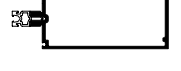
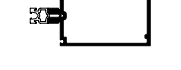

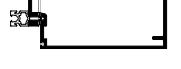
	PAGE
PART IDENTIFICATION.....	3-5
MATERIAL TAKE-OFF GUIDE.....	6
PERIMETER DETAILS.....	7
"F" AND "T" ANCHOR CHART.....	8
INTERMEDIATES.....	9
90° INSIDE CORNER.....	10
90° OUTSIDE CORNERS.....	11-12
ENTRANCE DETAILS.....	13
ENTRANCE SUB-FRAME.....	14
GLASSVENT[®] UT WINDOWS.....	15
ANCHOR ASSEMBLY.....	16
INTERMEDIATES WITH FIBERGLASS PRESSURE PLATE.....	17
1-1/4" AND 1-5/16" INFILL TYPICAL PERIMETER CONDITIONS.....	18
1-1/4" AND 1-5/16" INFILL TYPICAL DETAILS.....	19
1-7/8" INFILL STORM SHELTER (TORNADO IMPACT) DETAILS.....	20

Consult the KawneerDirect website for the latest updates to the estimating/
take-off and ordering guides before beginning work on your project.

1-3/4" Framing

Part Number	Profile	Description
171203		5-1/4" Lightweight
171204		5-1/4" Heavyweight
171201		3-3/4" Lightweight
171202		3-3/4" Heavyweight
171291		5-1/4"
171290		3-3/4"
171295		5-1/4"
171294		3-3/4"
171205		3-3/4"
171206		5-1/4"



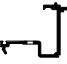





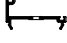




1" Framing

Part Number	Profile	Description
171215		5-1/4" Lightweight
171216		5-1/4" Heavyweight
171213		3-3/4" Lightweight
171214		3-3/4" Heavyweight
171293		5-1/4"
171292		3-3/4"
171297		5-1/4"
171296		3-3/4"
171207		3-3/4"
171208		5-1/4"





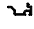
Laws and building and safety codes governing the design and use of Kawneer products, such as glazed entrance, window, and curtain wall products, vary widely. Kawneer does not control the selection of product configurations, operating hardware, or glazing materials, and assumes no responsibility therefor.

Kawneer reserves the right to change configuration without prior notice when deemed necessary for product improvement.
© 2011, Kawneer Company, Inc.


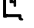
Pressure Plate

Part Number	Profile	Description
162335		Standard dry glazed pressure plate. Pre-punched for pressure plate fasteners.
162336		Flush Double Acting Door Adapter pressure plate. For use with 162041 cover. See Entrance Details in this Take-Off Guide.
162552		Flush Single Acting Door Adapter pressure plate. For use with 162041 cover. See Entrance Details in this Take-Off Guide.
171328		Flush Double Acting Door Adapter pressure plate. For use with 162041 cover. See Entrance Details in this Take-Off Guide.
171329		Flush Single Acting Door Adapter pressure plate. For use with 162041 cover. See Entrance Details in this Take-Off Guide.
162358		Optional dry glazed pressure plate. For use with 162074 (2-1/2") deep cover. Pre-punched for pressure plate fasteners.
162505		1" extended pressure plate. Pre-punched for pressure plate fasteners.
171301		1-3/4" extended pressure plate. Pre-punched for pressure plate fasteners.
171310		Door adapter / sub-frame pressure plate. Pre-punched for pressure plate fasteners.
162517		Offset pressure plate for 1-1/4" and 1-5/16" infill. Pre-punched for pressure plate fasteners.
162538		Offset pressure plate for 1-1/4" and 1-5/16" infill. Pre-punched for pressure plate fasteners.
162528		Offset pressure plate for 1-1/4" and 1-5/16" infill. Pre-punched for pressure plate fasteners.
171322		Offset pressure plate for 1-1/4" and 1-5/16" infill. Pre-punched for pressure plate fasteners.

Glazing Adapters (1" System)

Part Number	Profile	Description
162054		1/8" Infill
162019		1/4" Infill
162055		3/8" Infill
162056		1/2" Infill
162057		5/8" Infill



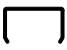
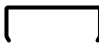
Glazing Adapters (1-3/4" System)

Part Number	Profile	Description
162019		1" Infill
171004		1/4" Infill

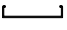


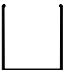

Laws and building and safety codes governing the design and use of Kawneer products, such as glazed entrance, window, and curtain wall products, vary widely. Kawneer does not control the selection of product configurations, operating hardware, or glazing materials, and assumes no responsibility therefor.

Kawneer reserves the right to change configuration without prior notice when deemed necessary for product improvement.
© 2011, Kawneer Company, Inc.

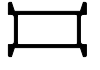
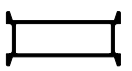
Perimeters

Part Number	Profile	Description
171320		1-3/4" Thermal Pocket Filler
171321		1" Thermal Pocket Filler
163023		Jamb Channel 6" & 6-3/4" System
163024		Jamb Channel 7-1/2" & 8-1/4" System


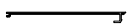
Snap-on Covers

Part Number	Profile	Description
162006		3/4" Standard Cover
162073		1-1/4" Optional Cover
162074		2-1/2" Optional Cover
162239		3" Optional Cover
162041		Flush Door Adapter Cover

Splice Sleeves

Part Number	Profile	Description
162306		3-3/4" Mullion Sleeve
162307		5-1/4" Mullion Sleeve

Open Back Fillers

Part Number	Profile	Description
162021		Open Back Filler 6" & 6-3/4" System
162020		Open Back Filler 7-1/2" & 8-1/4" System





Shear Block Fasteners

Horizontal (2 per shear block)	Vertical (2 per shear block)
128405	128394 Typical

Pre-punched Shear Blocks

Part Number	Description
162377 Intermed. Horiz.	6" & 6-3/4" System
162378 Intermed. Horiz.	7-1/2" & 8-1/4" System
162331 Head / Sill	6" & 6-3/4" System Perimeter (A) (B)
162332 Head / Sill	7-1/2" & 8-1/4" System Perimeter (A) (B)

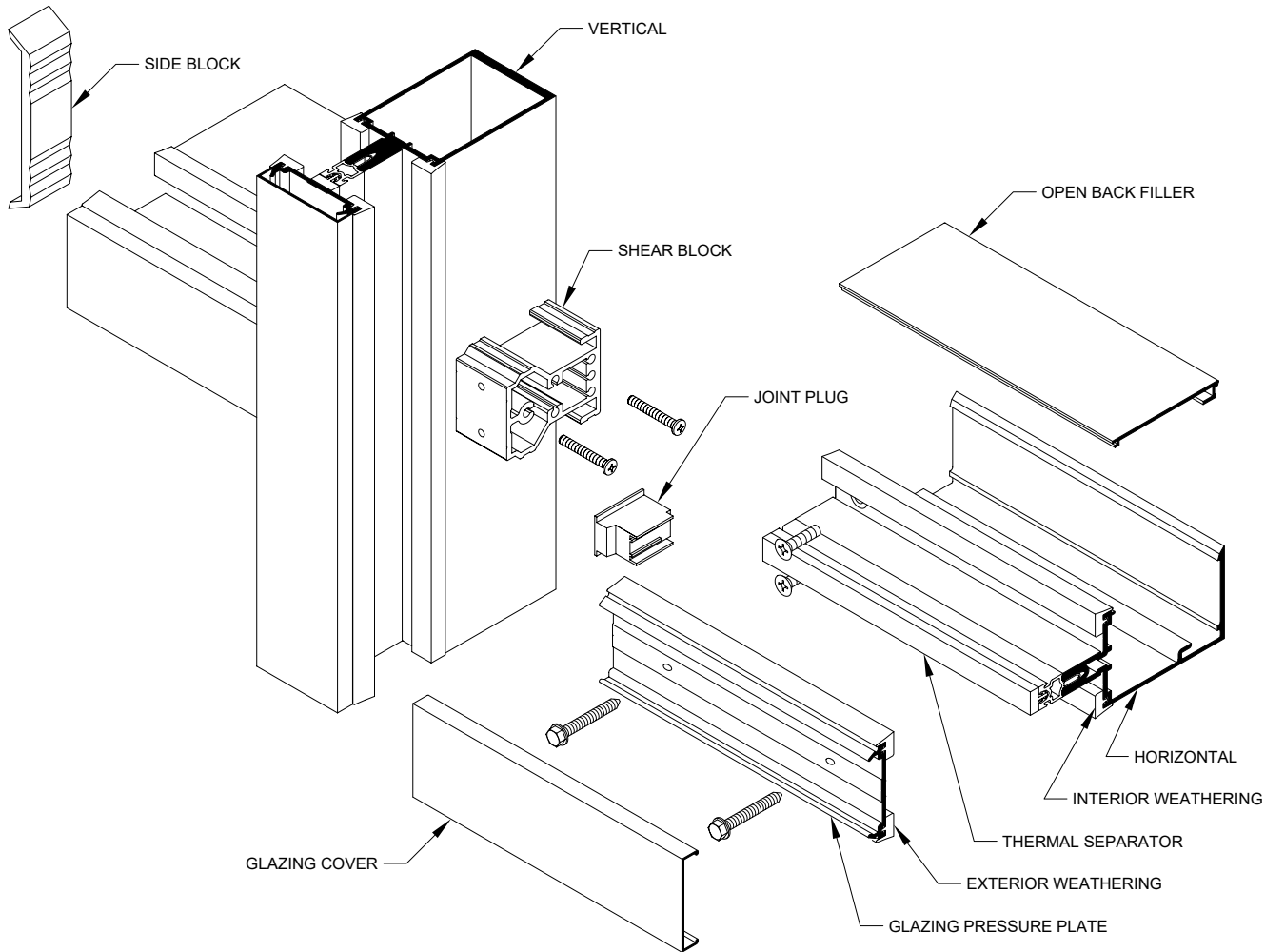
Cover Sleeves

Part Number	Profile	Description
162313		3/4" Standard Cover Sleeve
162356		1-1/4" Optional Cover Sleeve
162357		2-1/2" Optional Cover Sleeve
162530		3" Optional Cover Sleeve

Laws and building and safety codes governing the design and use of Kawneer products, such as glazed entrance, window, and curtain wall products, vary widely. Kawneer does not control the selection of product configurations, operating hardware, or glazing materials, and assumes no responsibility therefor.

Kawneer reserves the right to change configuration without prior notice when deemed necessary for product improvement.

©2011, Kawneer Company, Inc.

**DESCRIPTION****PART NUMBER****TAKE-OFF GUIDE**

Vertical (24' 0" S/L)	Make Proper Selection	Stock Lengths Required
Horizontal (24' 0" S/L)	Make Proper Selection	Stock Lengths Required
Open Back Filler (24' 0" S/L)	Make Proper Selection	Stock Lengths Required
Cover (24' 0" S/L)	Make Proper Selection	Stock Lengths Required
Glazing Pressure Plate (24' 0" S/L)	162335	Stock Lengths Required
Thermal Separator	162310	Vertical/Horizontal Footage
Interior / Exterior Weathering	027850	4 x Vertical/Horizontal Footage
Pressure Plate Fastener	128960	1.8 x Thermal Separator
Setting Block (1/4" Glazing)	027854	2 Per D.L.O.
Setting Block (1" Glazing)	127169	2 Per D.L.O.
Setting Block (1-3/4" Glazing)	127168	2 Per D.L.O.
Setting Block Chair (1" Glazing)	171306	2 Per D.L.O.
Setting Block Chair (1-3/4" Glazing)	171305	2 Per D.L.O.
Side Block (1/4" Glazing)	027856	2 Per D.L.O.
Side Block (1" Glazing)	027855	2 Per D.L.O.
Side Block (1-3/4" Glazing)	127165	2 Per D.L.O.
Shear Block	See Shear Block Chart	2 Per Horizontal
Shear Block to Vertical Fastener	128394	2 Per Shear Block
Shear Block to Horizontal Fastener	128405	2 Per Shear Block
Joint Plug (1-3/4" Framing) (Typical)	171307	2 Per Horizontal
Joint Plug (1" Framing) (Typical)	162321	2 Per Horizontal
Perimeter "A" Vertical End Caps 1"	171309	2 Per Vertical
Perimeter "A" Vertical End Caps 1-3/4"	171308	2 Per Vertical

For other applications and accessories, reference shop drawings, installation instructions and Kawneer's website at www.kawneer.com.

(A) PERIMETER PRESSURE PLATES

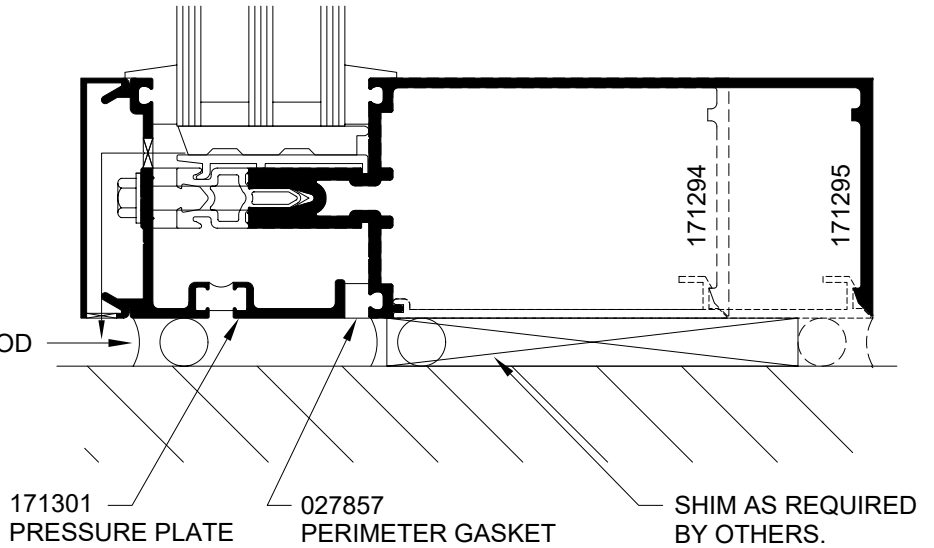
Note:

Requires Head / Sill Shear Blocks:
162331 6" & 6-3/4" System
162332 7-1/2" & 8-1/4" System
Typical Joint Plugs

Uses vertical top & bottom end caps
171309 (1")
171308 (1-3/4")

SEALANT AND BACK-UP ROD
BY OTHERS.

Use "F" & "T" Anchors



(B) PERIMETER THERMAL POCKET FILLER

Note:

Requires Head / Sill Shear Blocks:
162331 6" & 6-3/4" System
162332 7-1/2" & 8-1/4" System
Typical Joint Plugs

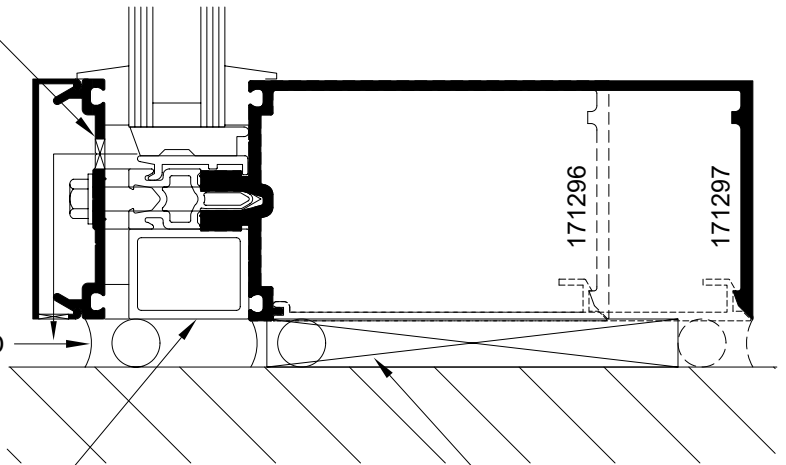
Use "F" & "T" Anchors

SEALANT AND BACK-UP ROD
BY OTHERS.

162335
PRESSURE
PLATE

171321
THERMAL POCKET FILLER

SHIM AS REQUIRED
BY OTHERS



Laws and building and safety codes governing the design and use of Kawneer products, such as glazed entrance, window, and curtain wall products, vary widely. Kawneer does not control the selection of product configurations, operating hardware, or glazing materials, and assumes no responsibility therefor.

Kawneer reserves the right to change configuration without prior notice when deemed necessary for product improvement.
© 2011, Kawneer Company, Inc.

Note:

T- anchors must be used if mullion end reactions exceed 350 pounds. If mullion end-reactions are less than 350 pounds, then perimeter anchoring may be used. (See page 4).

$$\text{End Reactions} = \frac{\text{Module (ft.)} \times \text{Length (ft.)} \times \text{Windload (PSF)}}{2}$$

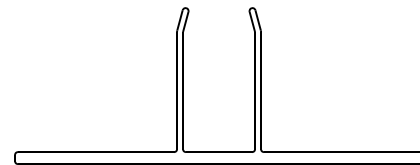
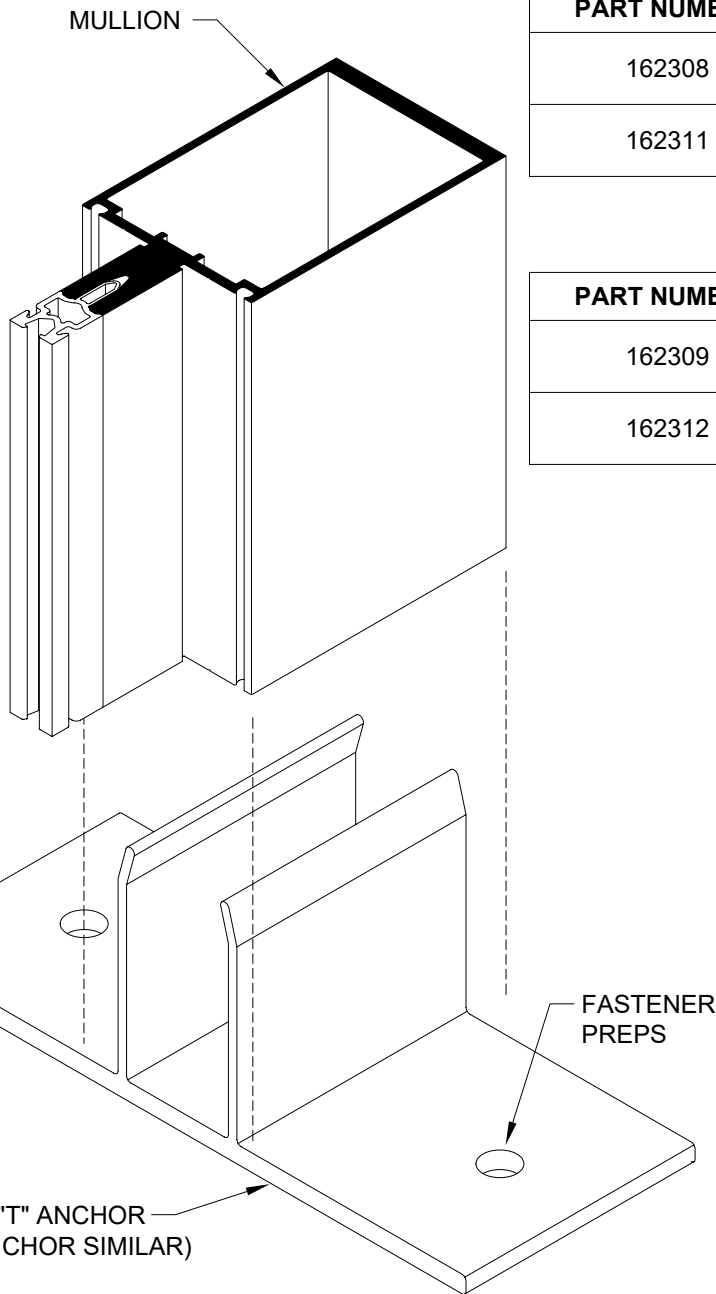
(Pounds)

F - Anchor Chart

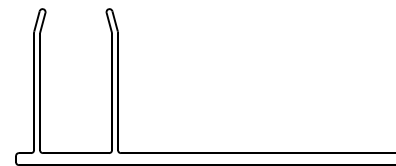
PART NUMBER	To be used with	System
162308	171201, 171202, 171213, 171214	6" & 6-3/4"
162311	171203, 171204, 171215, 171216	7-1/2" & 8-1/4"

T - Anchor Chart

PART NUMBER	To be used with	System
162309	171201, 171202, 171213, 171214	6" & 6-3/4"
162312	171203, 171204, 171215, 171216	7-1/2" & 8-1/4"



"T" Anchor



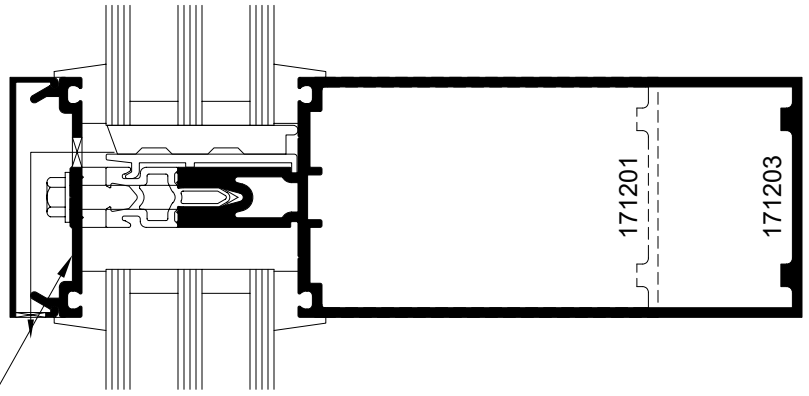
"F" Anchor

Laws and building and safety codes governing the design and use of Kawneer products, such as glazed entrance, window, and curtain wall products, vary widely. Kawneer does not control the selection of product configurations, operating hardware, or glazing materials, and assumes no responsibility therefor.

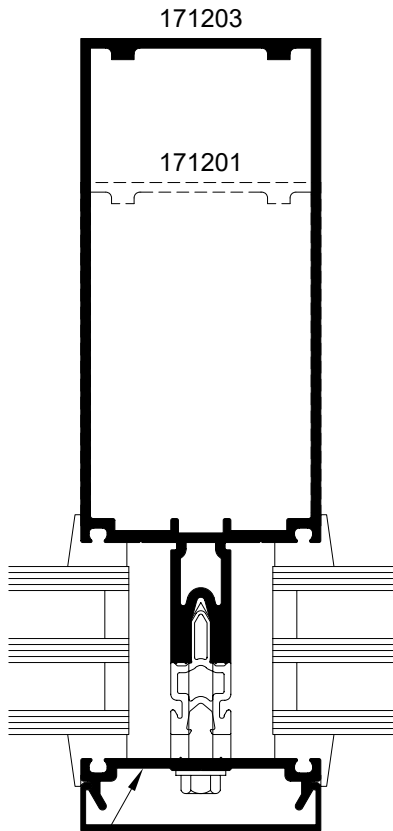
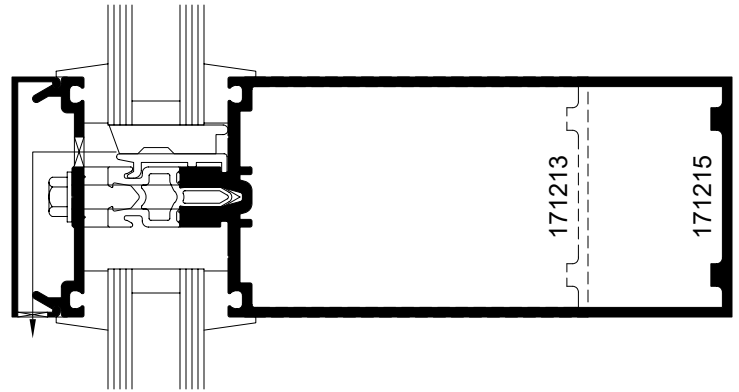
Kawneer reserves the right to change configuration without prior notice when deemed necessary for product improvement.
© 2011, Kawneer Company, Inc.

Note:

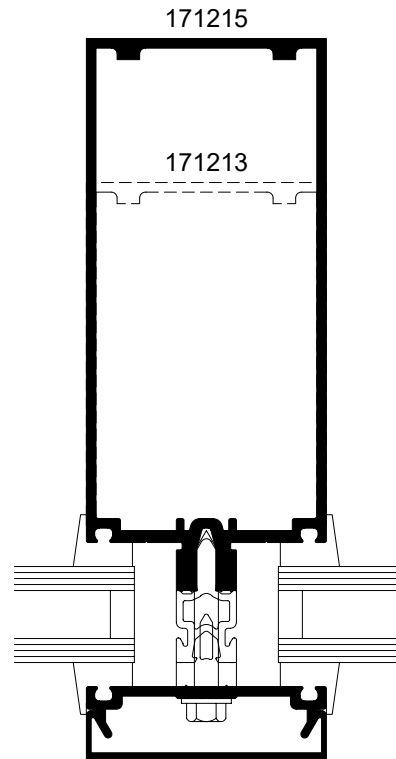
Requires Intermediate Shear Blocks:
 162377 6" & 6-3/4" Systems
 162378 7-1/2" & 8-1/4" Systems
 Typical Joint Plugs



162335
PRESSURE PLATE



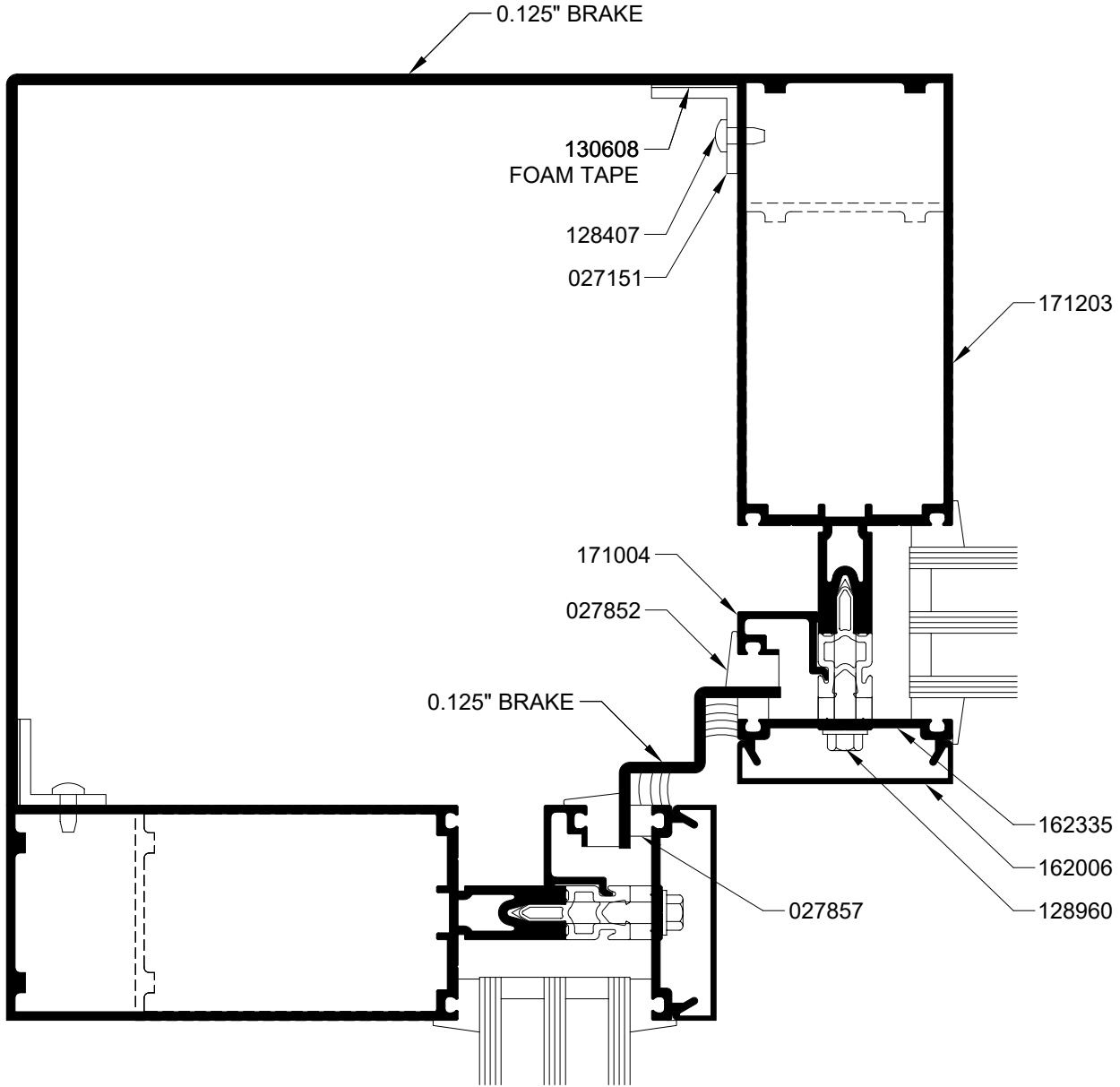
162335
PRESSURE PLATE



Laws and building and safety codes governing the design and use of Kawneer products, such as glazed entrance, window, and curtain wall products, vary widely. Kawneer does not control the selection of product configurations, operating hardware, or glazing materials, and assumes no responsibility therefor.

Kawneer reserves the right to change configuration without prior notice when deemed necessary for product improvement.
 © 2011, Kawneer Company, Inc.

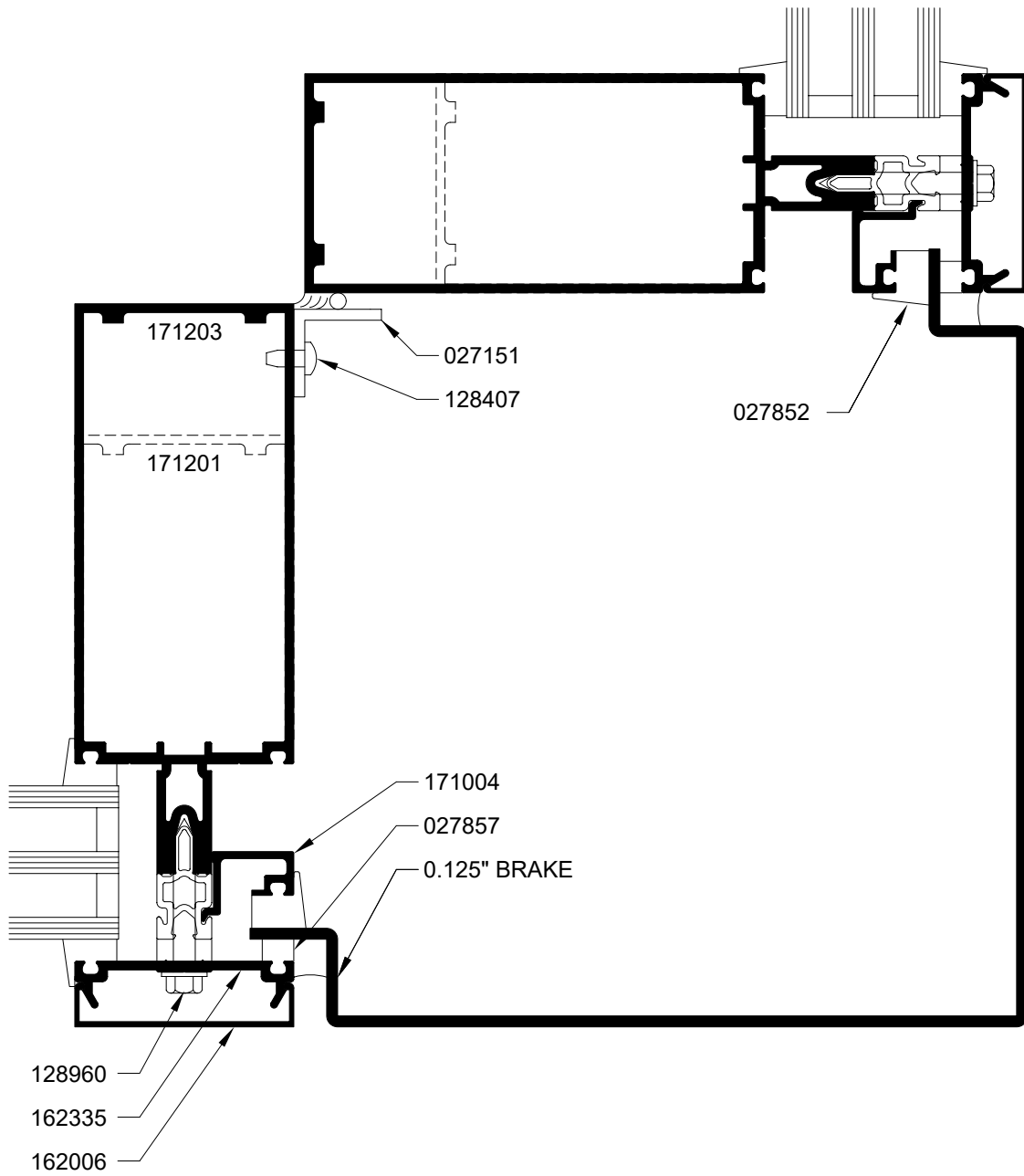
1-3/4" System Shown, 1" System Similar



Laws and building and safety codes governing the design and use of Kawneer products, such as glazed entrance, window, and curtain wall products, vary widely. Kawneer does not control the selection of product configurations, operating hardware, or glazing materials, and assumes no responsibility therefor.

Kawneer reserves the right to change configuration without prior notice when deemed necessary for product improvement.
© 2011, Kawneer Company, Inc.

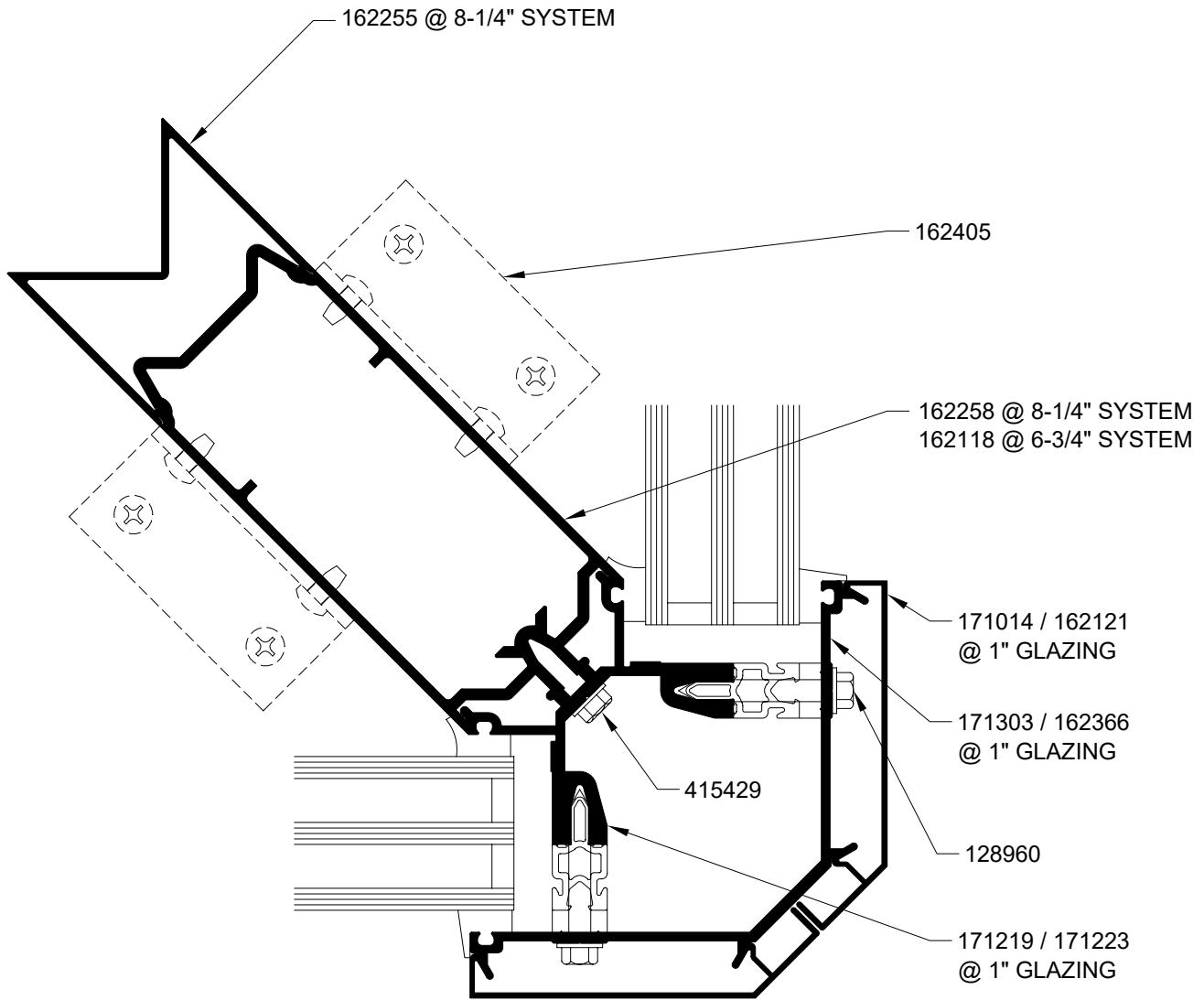
1-3/4" System Shown, 1" System Similar



Laws and building and safety codes governing the design and use of Kawneer products, such as glazed entrance, window, and curtain wall products, vary widely. Kawneer does not control the selection of product configurations, operating hardware, or glazing materials, and assumes no responsibility therefor.

Kawneer reserves the right to change configuration without prior notice when deemed necessary for product improvement.
© 2011, Kawneer Company, Inc.

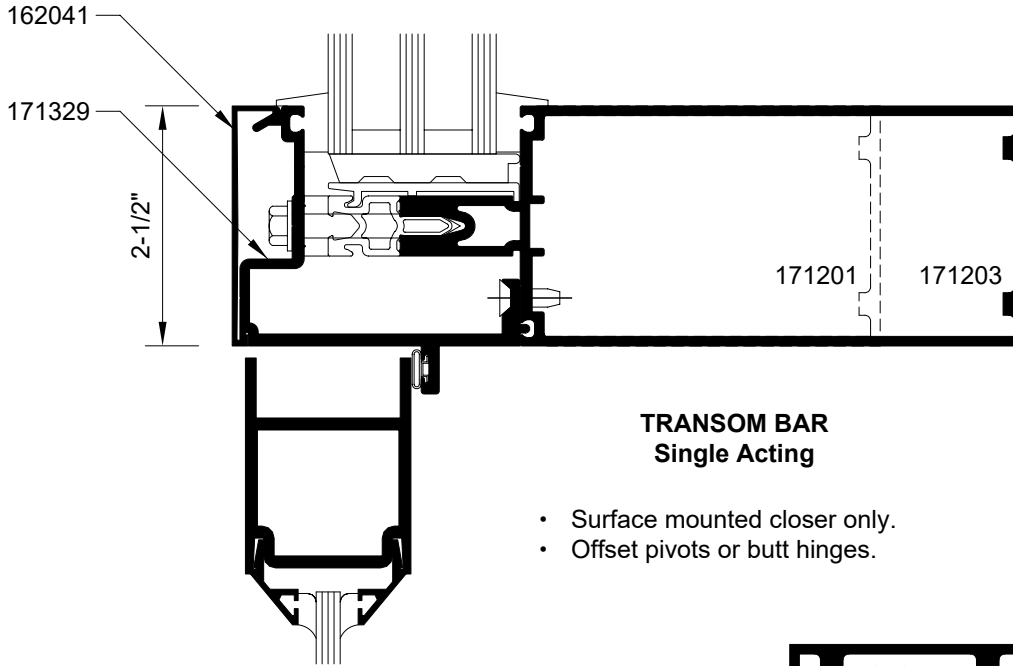
1-3/4" System Shown, 1" System Similar



Laws and building and safety codes governing the design and use of Kawneer products, such as glazed entrance, window, and curtain wall products, vary widely. Kawneer does not control the selection of product configurations, operating hardware, or glazing materials, and assumes no responsibility therefor.

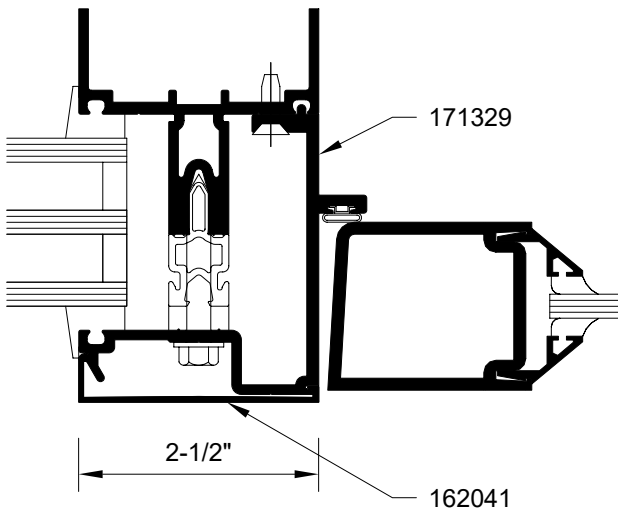
Kawneer reserves the right to change configuration without prior notice when deemed necessary for product improvement.
© 2011, Kawneer Company, Inc.

Entrance Adapters - 1-3/4" Framing Shown, 1" System Similar

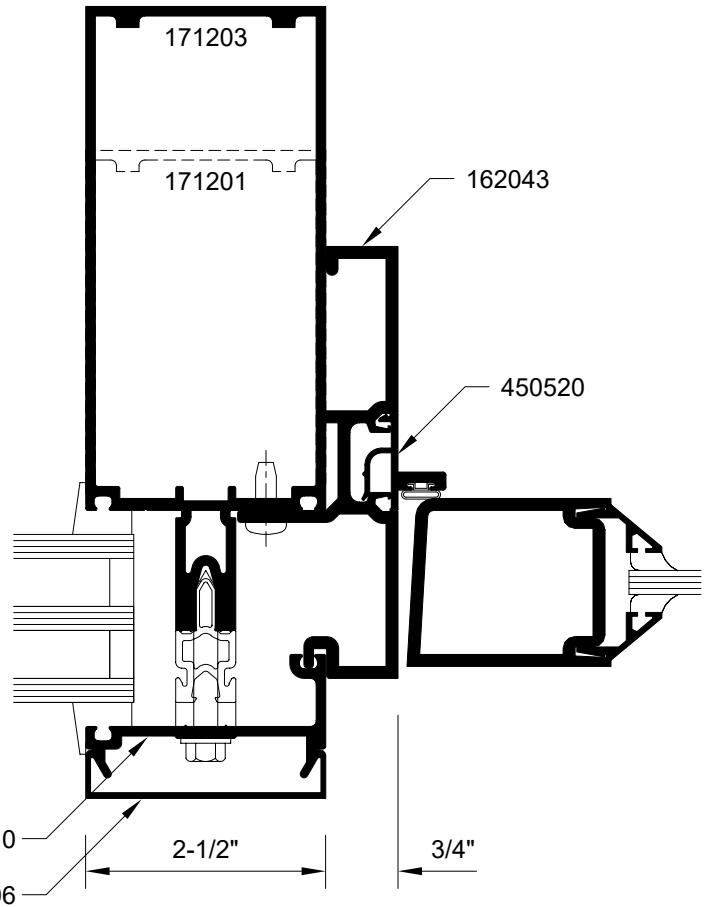


TRANSOM BAR
Single Acting

- Surface mounted closer only.
- Offset pivots or butt hinges.



DOOR JAMB
Single Acting

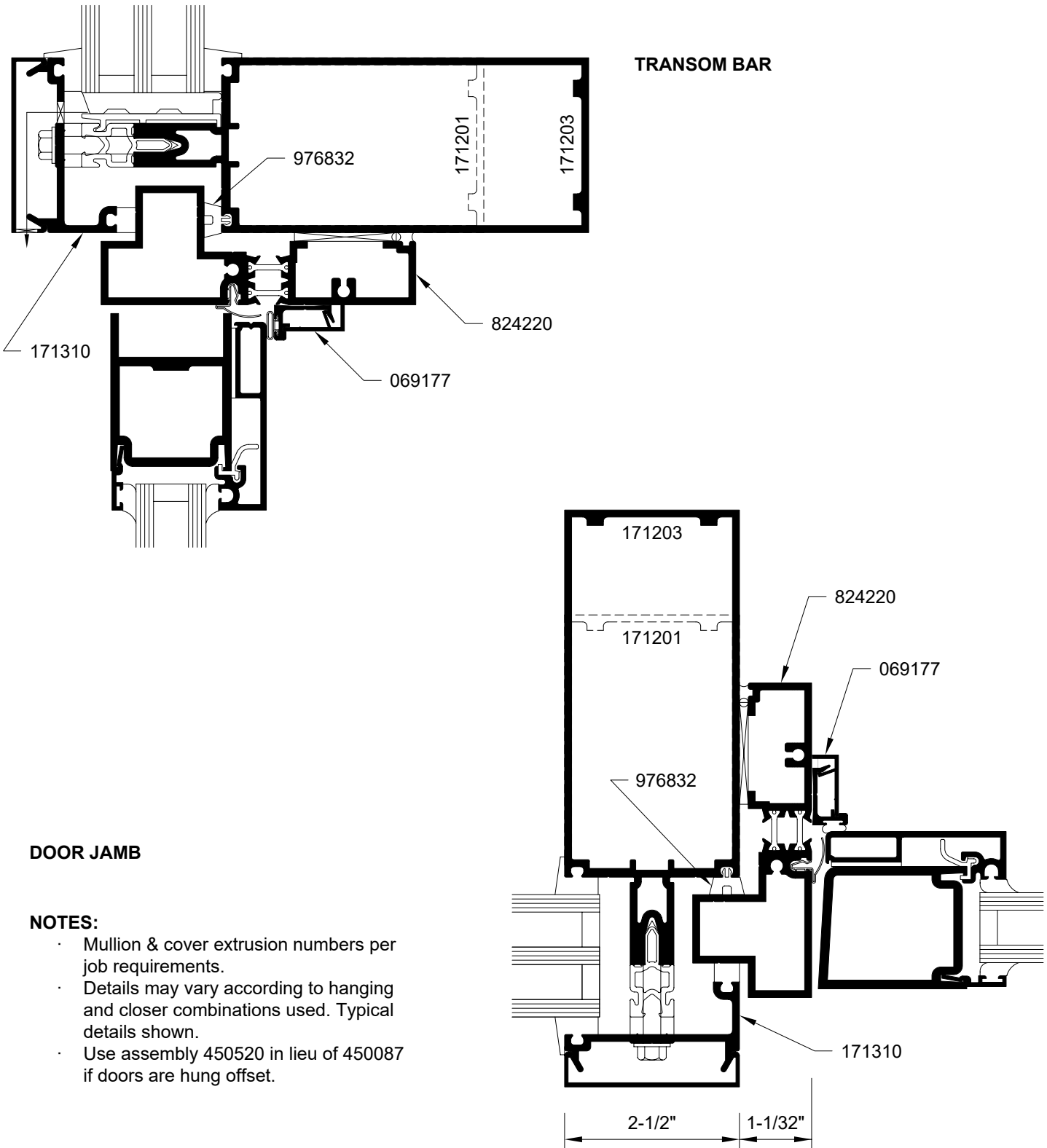


DOOR JAMB
Single Acting

Laws and building and safety codes governing the design and use of Kawneer products, such as glazed entrance, window, and curtain wall products, vary widely. Kawneer does not control the selection of product configurations, operating hardware, or glazing materials, and assumes no responsibility therefor.

Kawneer reserves the right to change configuration without prior notice when deemed necessary for product improvement.
© 2011, Kawneer Company, Inc.

1-3/4" System Shown, 1" System Similar



DOOR JAMB

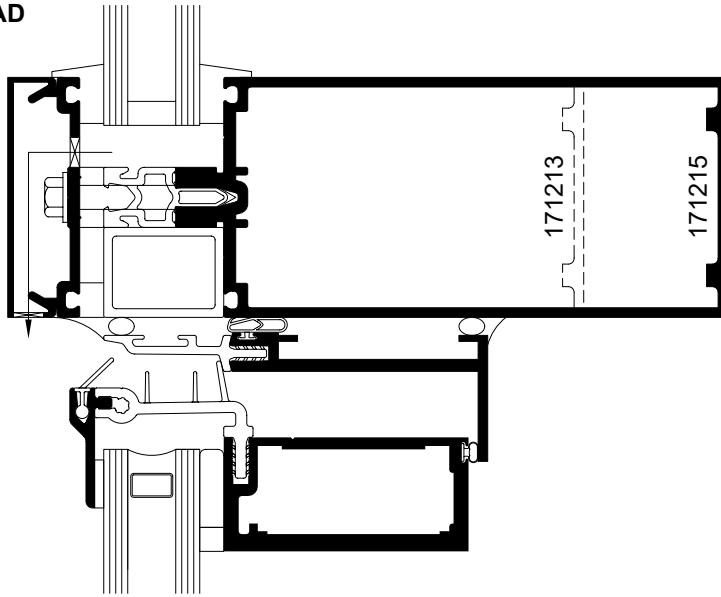
NOTES:

- Mullion & cover extrusion numbers per job requirements.
- Details may vary according to hanging and closer combinations used. Typical details shown.
- Use assembly 450520 in lieu of 450087 if doors are hung offset.

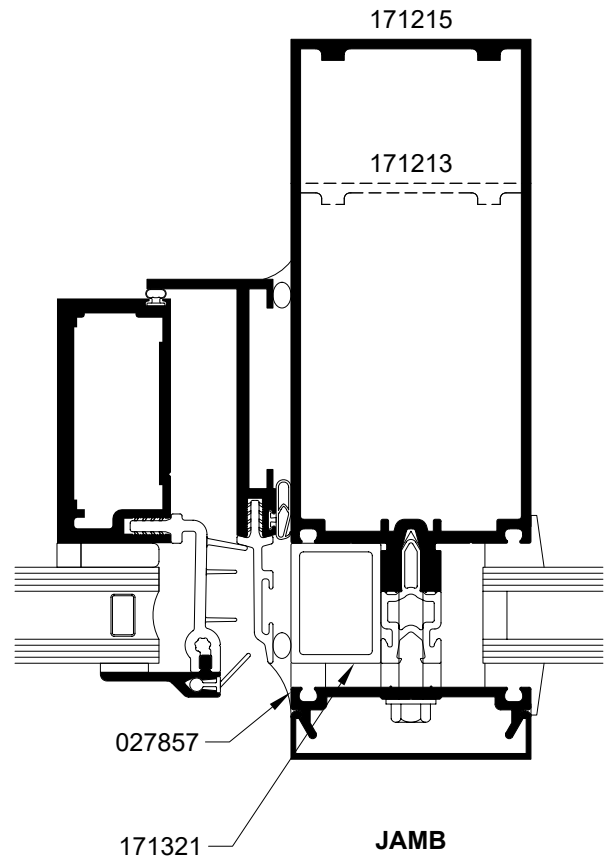
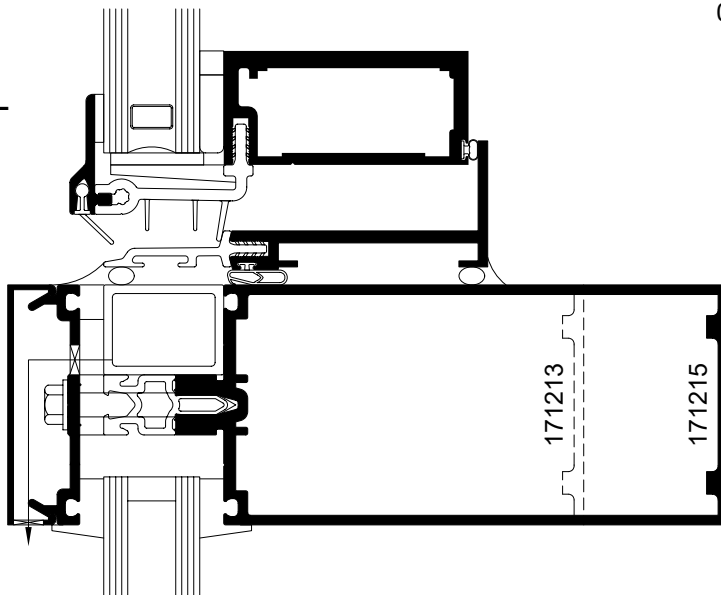
Laws and building and safety codes governing the design and use of Kawneer products, such as glazed entrance, window, and curtain wall products, vary widely. Kawneer does not control the selection of product configurations, operating hardware, or glazing materials, and assumes no responsibility therefor.

Kawneer reserves the right to change configuration without prior notice when deemed necessary for product improvement.
© 2011, Kawneer Company, Inc.

HEAD



SILL



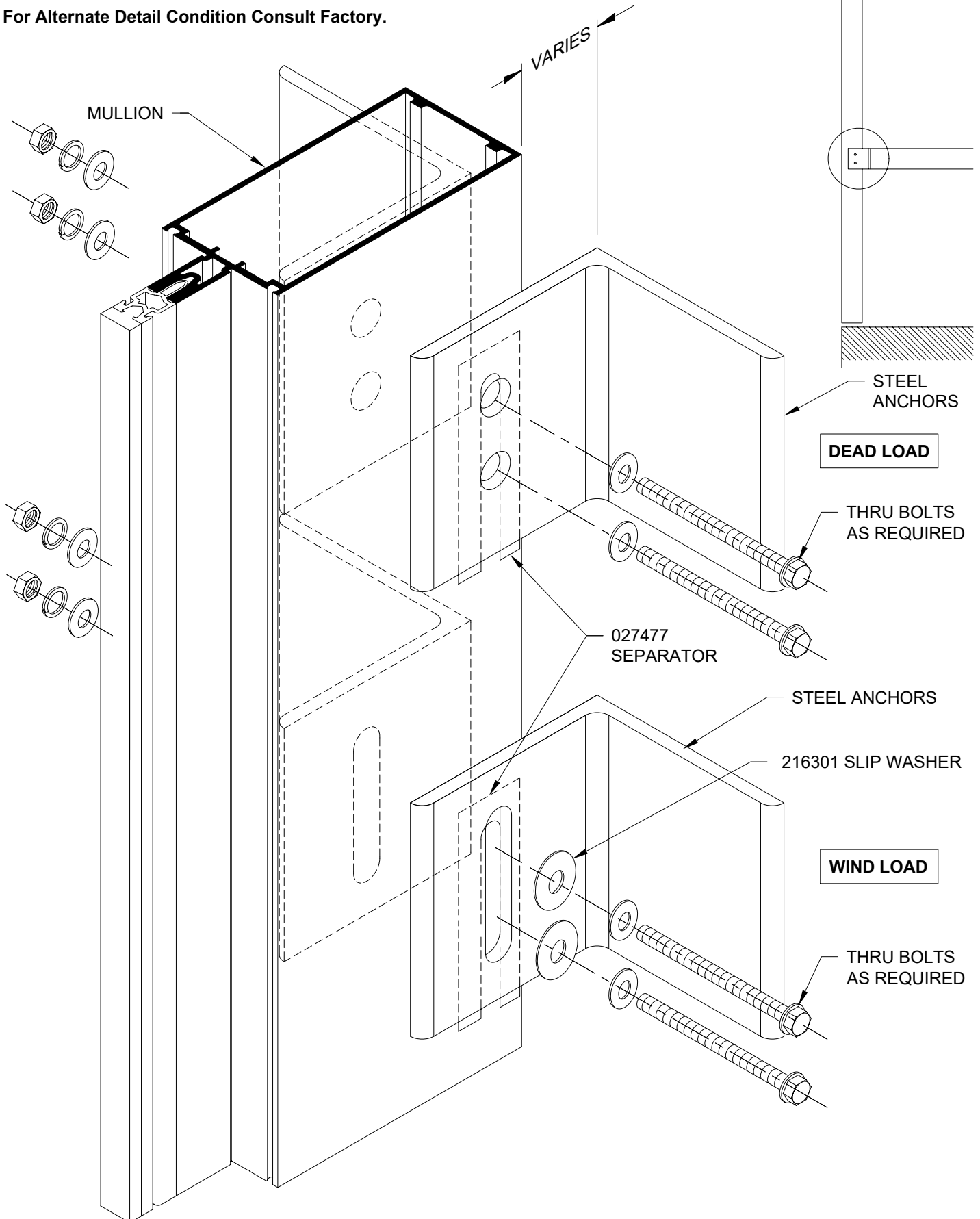
JAMB

Laws and building and safety codes governing the design and use of Kawneer products, such as glazed entrance, window, and curtain wall products, vary widely. Kawneer does not control the selection of product configurations, operating hardware, or glazing materials, and assumes no responsibility therefor.

Kawneer reserves the right to change configuration without prior notice when deemed necessary for product improvement.
© 2011, Kawneer Company, Inc.

STANDARD INTERMEDIATE DEAD LOAD AND WIND LOAD MID-ANCHOR DETAILS

For Alternate Detail Condition Consult Factory.

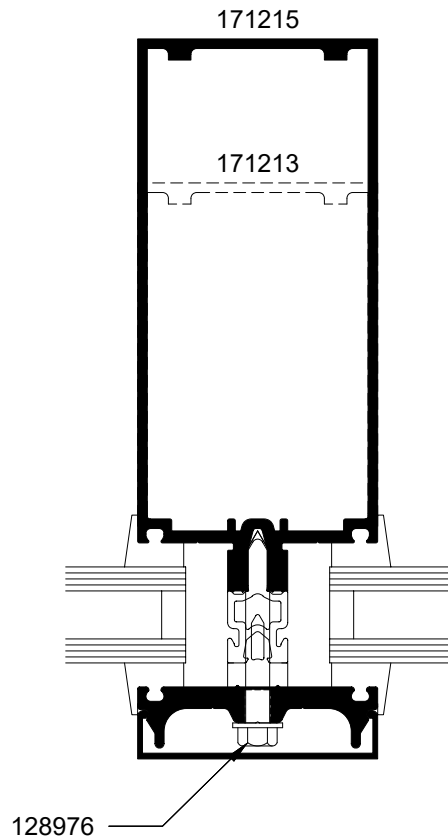
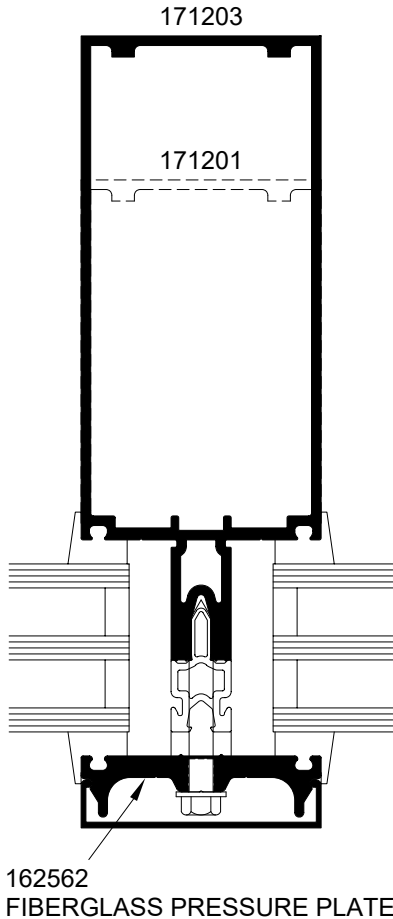
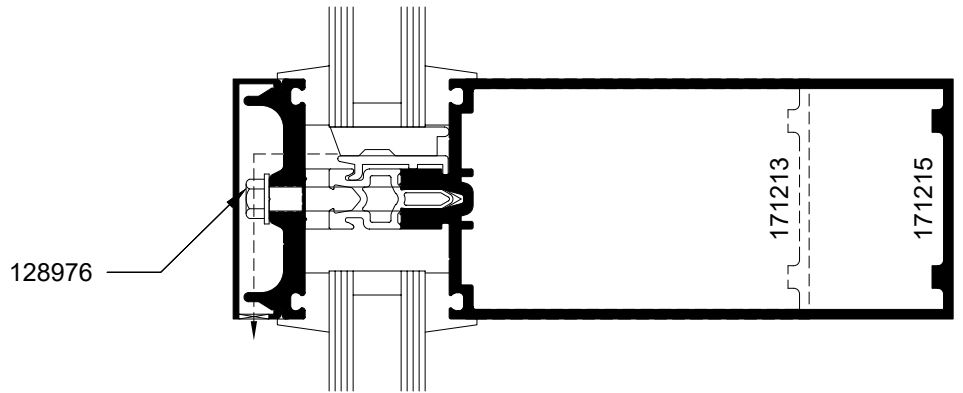
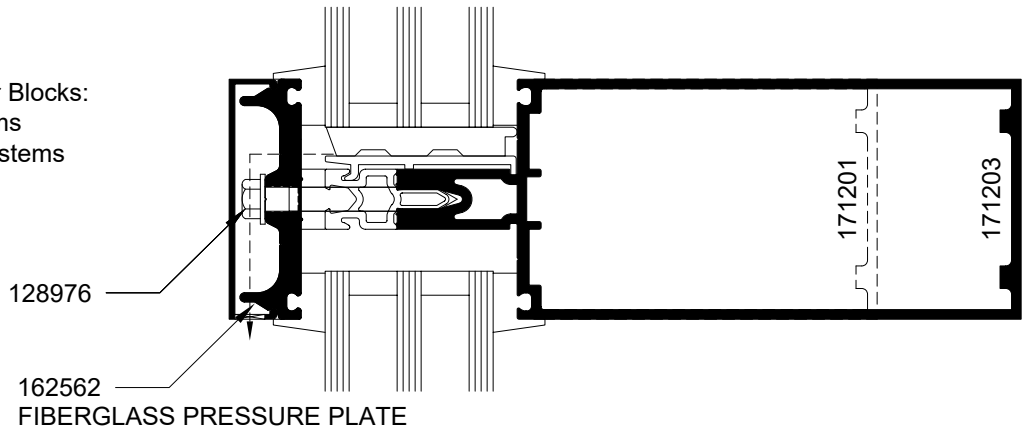


Laws and building and safety codes governing the design and use of Kawneer products, such as glazed entrance, window, and curtain wall products, vary widely. Kawneer does not control the selection of product configurations, operating hardware, or glazing materials, and assumes no responsibility therefor.

Kawneer reserves the right to change configuration without prior notice when deemed necessary for product improvement.
© 2011, Kawneer Company, Inc.

Note:

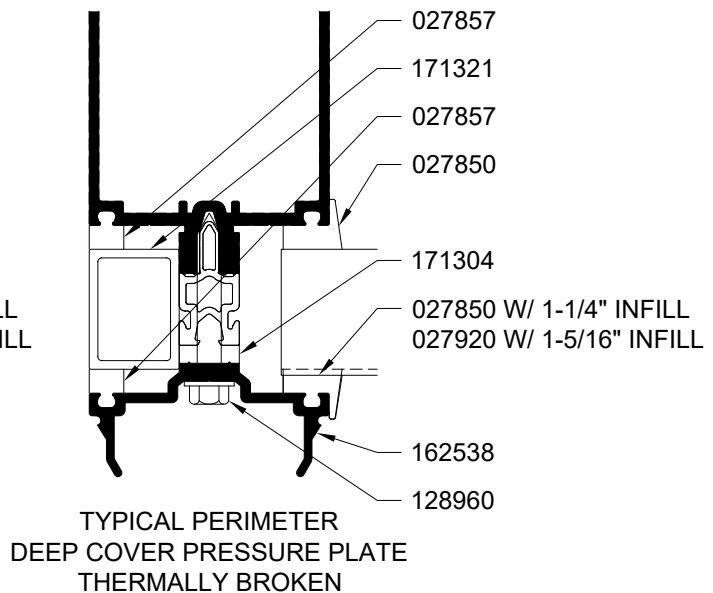
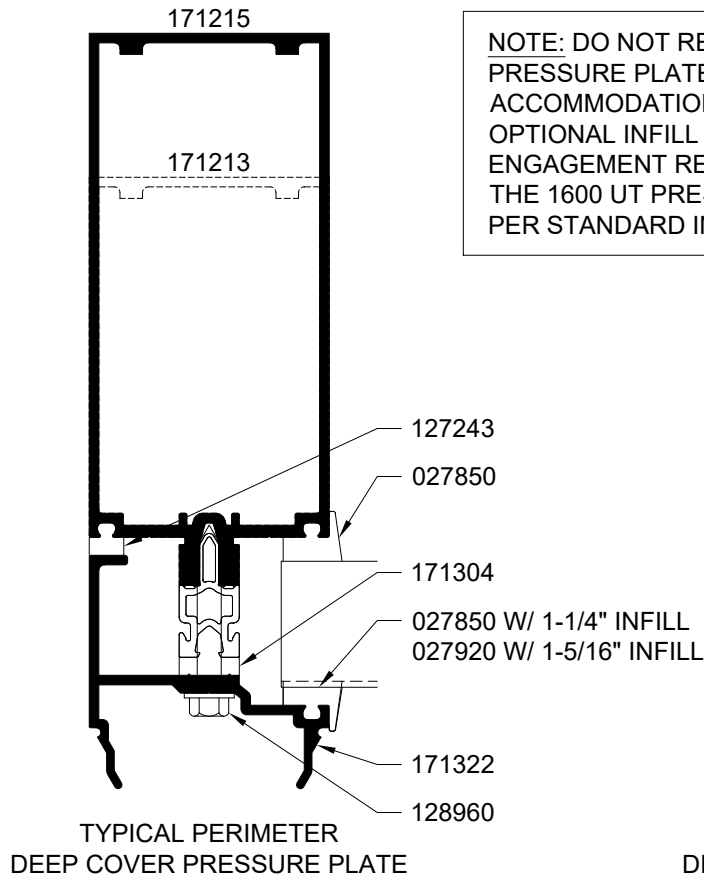
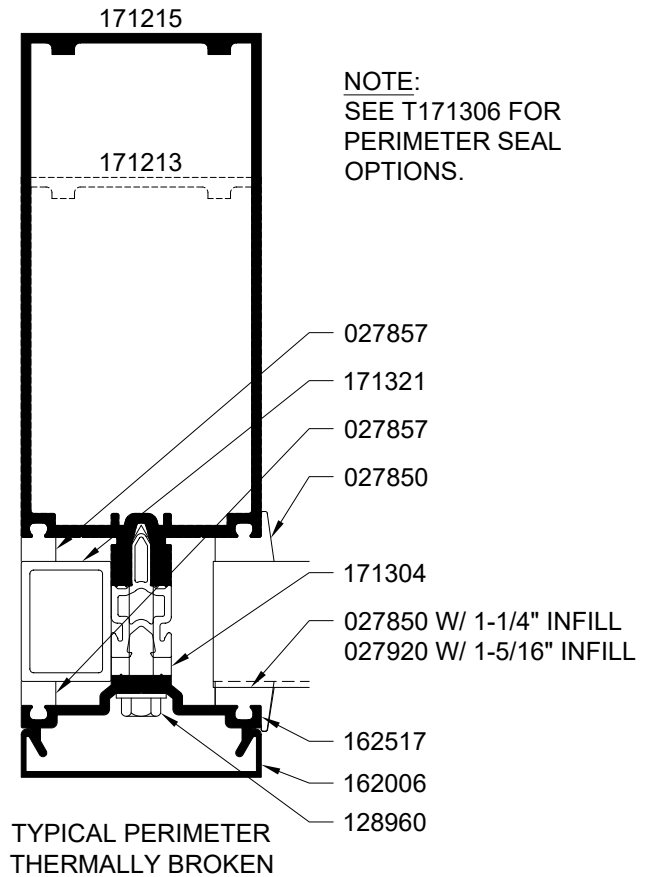
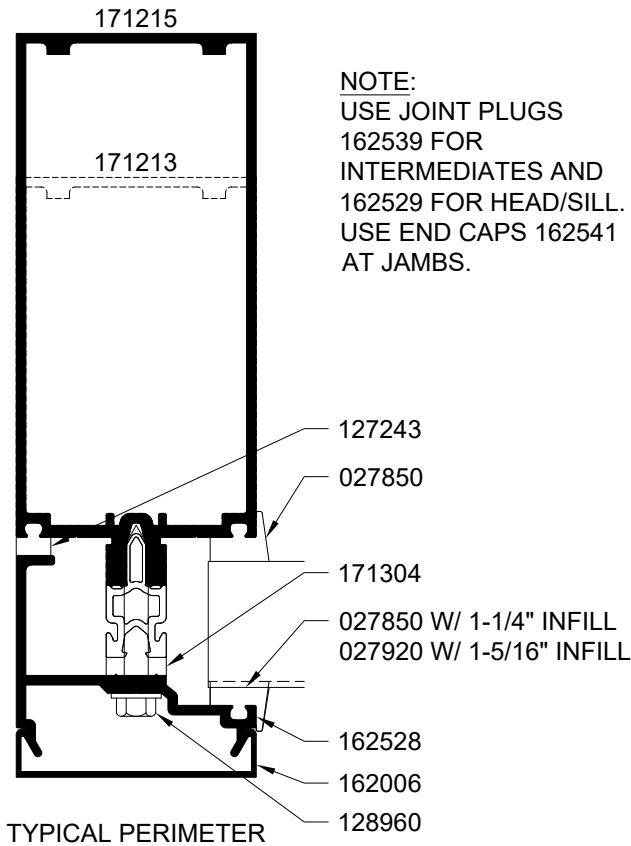
Requires Intermediate Shear Blocks:
 162377 6" & 6-3/4" Systems
 162378 7-1/2" & 8-1/4" Systems
 Typical Joint Plugs



NOTE: 162562 REQUIRES 128976 - 1/4 X 2" HWHCSD SCREWS FOR PRESSURE PLATE ATTACHMENT

Laws and building and safety codes governing the design and use of Kawneer products, such as glazed entrance, window, and curtain wall products, vary widely. Kawneer does not control the selection of product configurations, operating hardware, or glazing materials, and assumes no responsibility therefor.

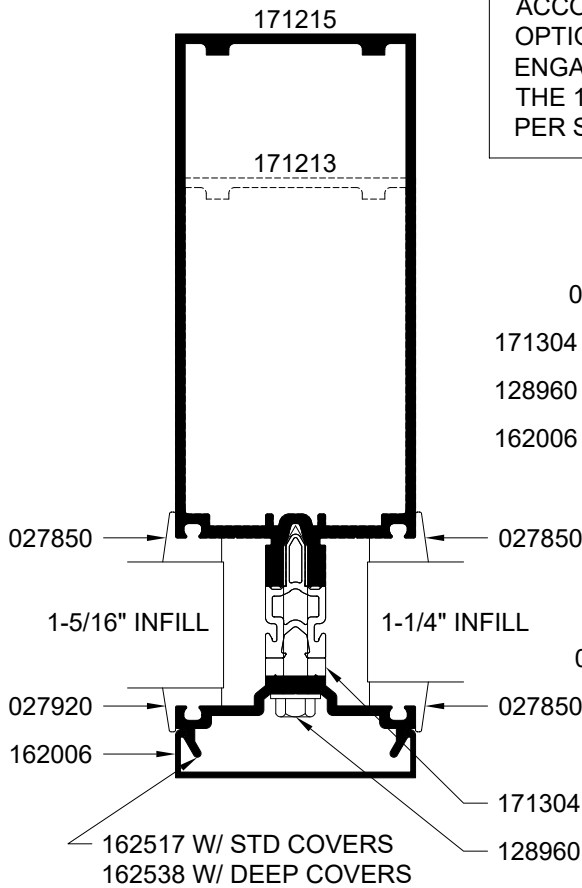
Kawneer reserves the right to change configuration without prior notice when deemed necessary for product improvement.
© 2011, Kawneer Company, Inc.



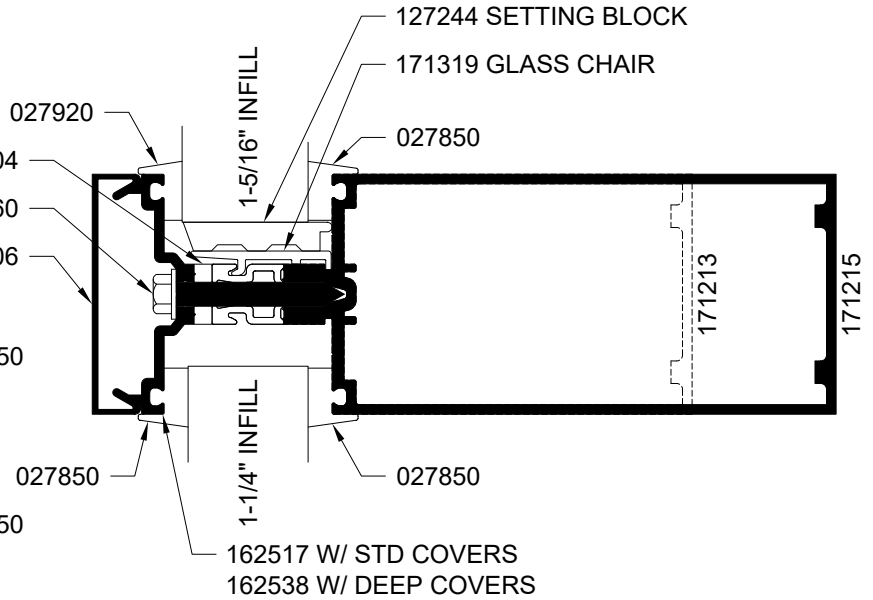
Laws and building and safety codes governing the design and use of Kawneer products, such as glazed entrance, window, and curtain wall products, vary widely. Kawneer does not control the selection of product configurations, operating hardware, or glazing materials, and assumes no responsibility therefor.

Kawneer reserves the right to change configuration without prior notice when deemed necessary for product improvement.
© 2011, Kawneer Company, Inc.

NOTE: DO NOT REDUCE THE .625" EMBEDMENT DEPTH OF THE 1600 UT PRESSURE PLATE FASTENER IN THE SCREW RACE. OTHER ACCOMMODATIONS / COMPONENTS MUST BE MADE FOR OTHER OPTIONAL INFILL SIZES / APPLICATIONS TO ENSURE THREAD ENGAGEMENT REMAINS AS INITIALLY DESIGNED. TORQUE APPLIED TO THE 1600 UT PRESSURE PLATE FASTENERS REMAIN AT 95-100 IN-LBS PER STANDARD INSTALLATION INSTRUCTIONS FOR ALL INFILL DEPTHS.

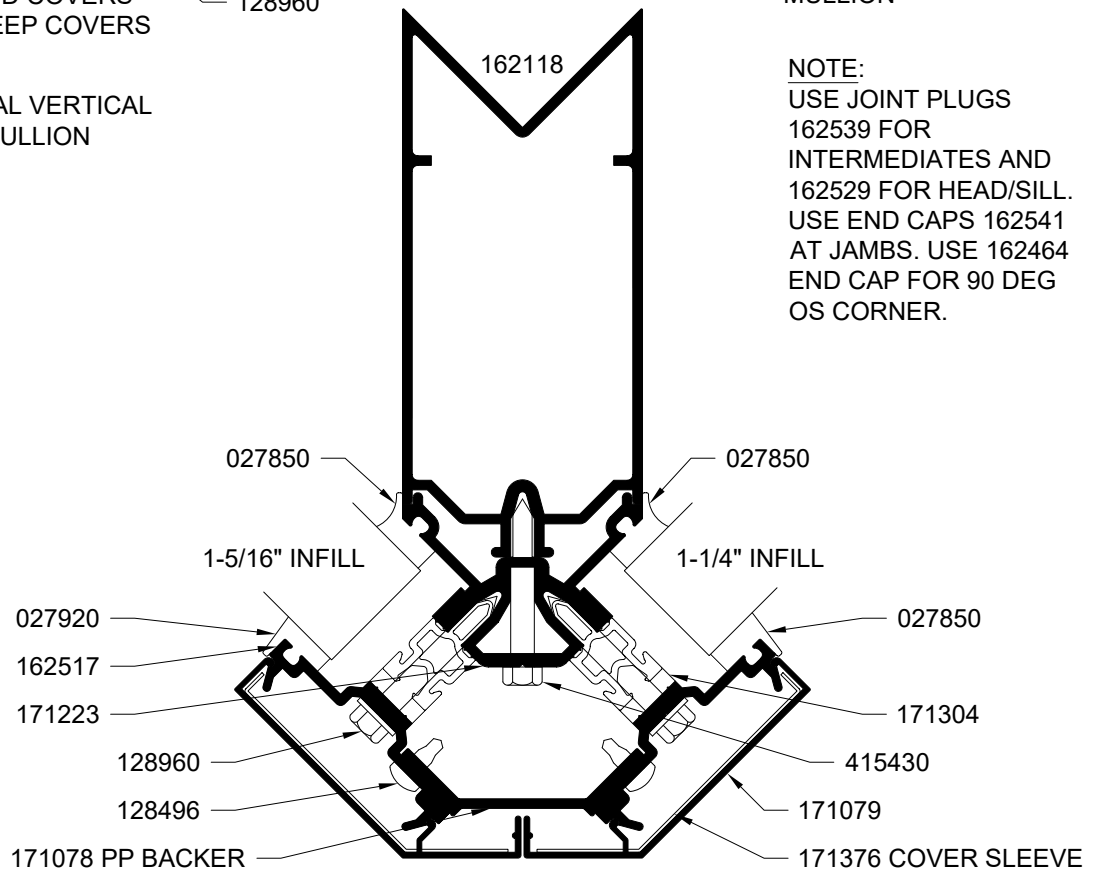


TYPICAL VERTICAL MULLION



TYPICAL HORIZONTAL MULLION

NOTE:
 USE JOINT PLUGS 162539 FOR INTERMEDIATES AND 162529 FOR HEAD/SILL. USE END CAPS 162541 AT JAMBS. USE 162464 END CAP FOR 90 DEG OS CORNER.

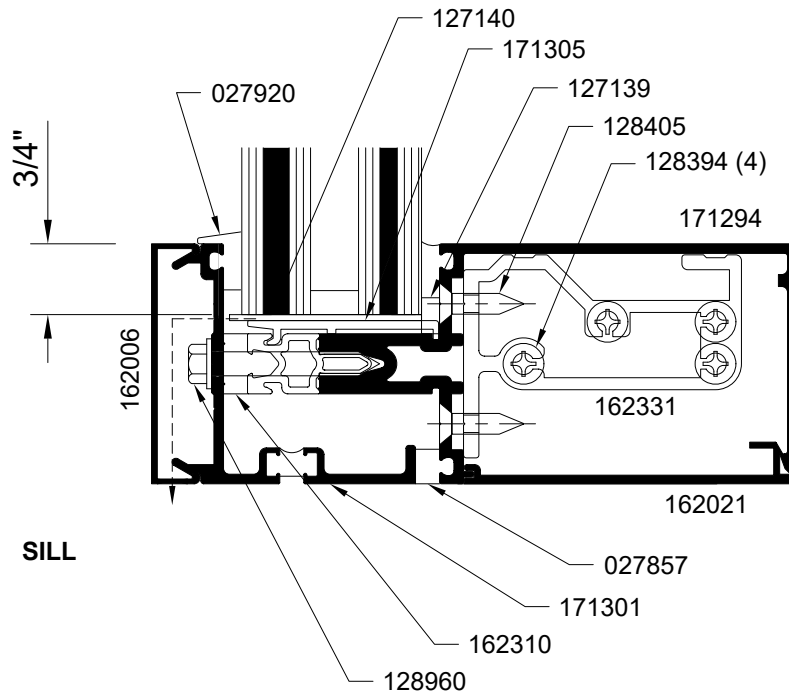
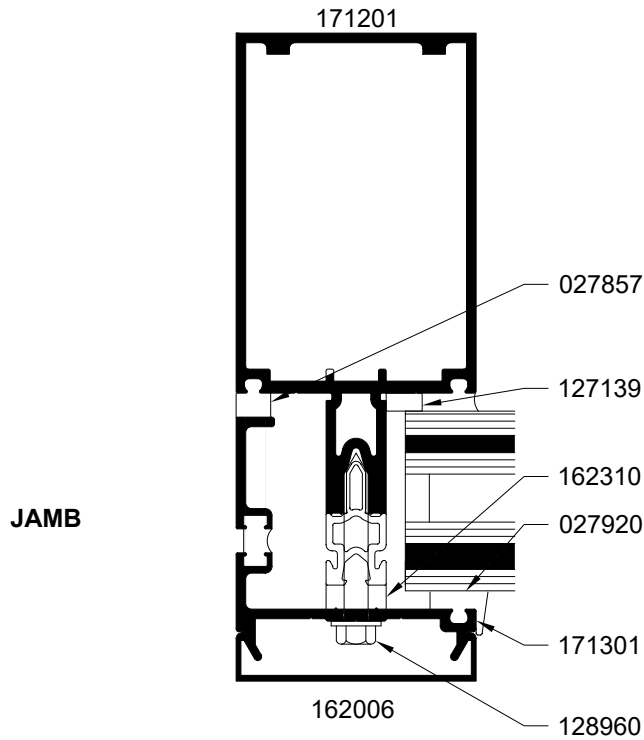


TYPICAL 90 DEG OS CORNER

Laws and building and safety codes governing the design and use of Kawneer products, such as glazed entrance, window, and curtain wall products, vary widely. Kawneer does not control the selection of product configurations, operating hardware, or glazing materials, and assumes no responsibility therefor.

Kawneer reserves the right to change configuration without prior notice when deemed necessary for product improvement.

© 2011, Kawneer Company, Inc.



Laws and building and safety codes governing the design and use of Kawneer products, such as glazed entrance, window, and curtain wall products, vary widely. Kawneer does not control the selection of product configurations, operating hardware, or glazing materials, and assumes no responsibility therefor.

Kawneer reserves the right to change configuration without prior notice when deemed necessary for product improvement.
© 2011, Kawneer Company, Inc.

Laws and building and safety codes governing the design and use of Kawneer products, such as glazed entrance, window, and curtain wall products, vary widely. Kawneer does not control the selection of product configurations, operating hardware, or glazing materials, and assumes no responsibility therefor.

Kawneer reserves the right to change configuration without prior notice when deemed necessary for product improvement.
© 2011, Kawneer Company, Inc.

Laws and building and safety codes governing the design and use of Kawneer products, such as glazed entrance, window, and curtain wall products, vary widely. Kawneer does not control the selection of product configurations, operating hardware, or glazing materials, and assumes no responsibility therefor.

Kawneer reserves the right to change configuration without prior notice when deemed necessary for product improvement.
© 2011, Kawneer Company, Inc.

Laws and building and safety codes governing the design and use of Kawneer products, such as glazed entrance, window, and curtain wall products, vary widely. Kawneer does not control the selection of product configurations, operating hardware, or glazing materials, and assumes no responsibility therefor.

Kawneer reserves the right to change configuration without prior notice when deemed necessary for product improvement.
© 2011, Kawneer Company, Inc.



KAWNEER COMPANY, INC.
TECHNOLOGY PARK/ATLANTA
555 GUTHRIDGE COURT
NORCROSS, GEORGIA 30092