

## **Features**

- Performance class and grade:  
     Single: AW-PG90-ATD  
     Pairs: AW-PG65-ATD
- Outswing or inswing
- Door is 2-1/4" (57.2) deep
- 1" x 4" (25.4 x 101.6) mitered door frame
- 1-1/2" x 5" (38.1 x 127) door frame integrates into MetroView® Window Walls
- Mitered door corners
- Polyamide thermal break used in door panel and 4" door frame
- Pour and debridged thermal break used in 5" door frame
- Infill options up to 1-1/16" (27)
- Three way adjustable butt hinges
- Stainless steel multipoint latch lock / deadbolt with swinghooks and shootbolts as required
- Single action unlocking for egress requirements
- Manual two step unlock function for non-egress type lock applications
- Solid brass lever handle selection in multiple finishes
- Concealed stainless steel door stop
- Assembled and shipped with door hung in frame
- Permanodic® anodized finishes option
- Painted finishes in standard and custom choices

## **Optional Features**

- Two-color finish capability
- LCN 4031T surface applied closer
- 10" (254) bottom rail
- Low profile threshold (Outswing Single and Pair)
- 2000T Terrace Door in 4" (101.6) frame has been small and large missile impact and cycle tested

## **Product Applications**

- The 2000T Terrace Door is a high performance balcony door for use in condominiums, lofts, hotels, and apartments
- The 2000T Terrace Door 4" (101.6) Frame is intended to be installed in "punched" openings or as a liner frame within other Kawneer framing or curtain wall systems
- The 2000T Terrace Door 5" (127) Frame is intended to be installed in MetroView® FG 501T, FG 601T PG Window Wall or as a liner frame within other Kawneer framing or curtain wall systems
- When sidelites and/or transoms are required the 2000T door frame is installed as a liner frame within other Kawneer framing or curtain wall systems

For specific product applications,  
consult your Kawneer representative.

Laws and building and safety codes governing the design and use of Kawneer products, such as glazed entrance, window, and curtain wall products, vary widely. Kawneer does not control the selection of product configurations, operating hardware, or glazing materials, and assumes no responsibility therefor.

Kawneer reserves the right to change configuration without prior notice when deemed necessary for product improvement.  
© 2017, Kawneer Company, Inc.

Laws and building and safety codes governing the design and use of Kawneer products, such as glazed entrance, window, and curtain wall products, vary widely. Kawneer does not control the selection of product configurations, operating hardware, or glazing materials, and assumes no responsibility therefor.

Kawneer reserves the right to change configuration without prior notice when deemed necessary for product improvement.  
© 2017, Kawneer Company, Inc.

**4" (101.6) FRAME- OUTSWING DOOR DETAILS.....5**

**4" (101.6) FRAME - INSWING DOOR DETAILS.....6**

**5" (127) FRAME - OUTSWING DOOR DETAILS.....7**

**5" (127) FRAME INSWING DOOR DETAILS .....8**

**5" (127) FRAME - OUTSWING DOOR DETAILS**

**- MetroView® FG 501T Window Wall .....9, 10**

**5" (127) FRAME - INSWING DOOR DETAILS**

**- MetroView® FG 501T Window Wall ..... 11, 12**

**5" (127) FRAME - OUTSWING DOOR DETAILS**

**- MetroView® FG 601T PG Window Wall .....13, 14**

**5" (127) FRAME - INSWING DOOR DETAILS**

**- MetroView® FG 601T PG Window Wall .....15, 16**

**SIDELITES AND TRANSOM .....17**

**STANDARD AND PROTECTIVE GLAZING OPTIONS.....18**

**OPTIONAL BOTTOM RAIL .....19**

**HARDWARE ..... 20-22**

**STRUCTURAL LIMITATIONS.....23**

**THERMAL CHARTS ..... 24-27**

Metric (SI) conversion figures are included throughout these details for reference. Numbers in parentheses ( ) are millimeters unless otherwise noted.

The following metric (SI ) units are found in these details:

- m – meter
- cm – centimeter
- mm – millimeter
- s – second
- Pa – pascal
- MPa – megapascal

Laws and building and safety codes governing the design and use of Kawneer products, such as glazed entrance, window, and curtain wall products, vary widely. Kawneer does not control the selection of product configurations, operating hardware, or glazing materials, and assumes no responsibility therefor.

Kawneer reserves the right to change configuration without prior notice when deemed necessary for product improvement.  
© 2017, Kawneer Company, Inc.

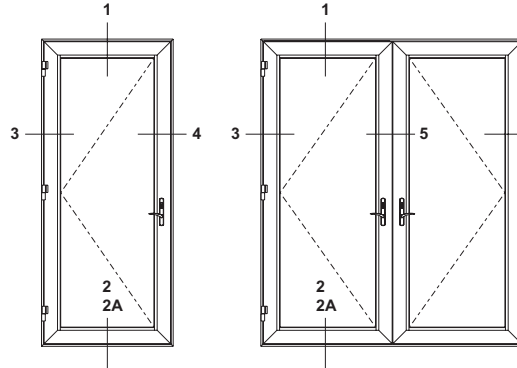
Additional information and CAD details are available at [www.kawneer.com](http://www.kawneer.com)

**Single Door**

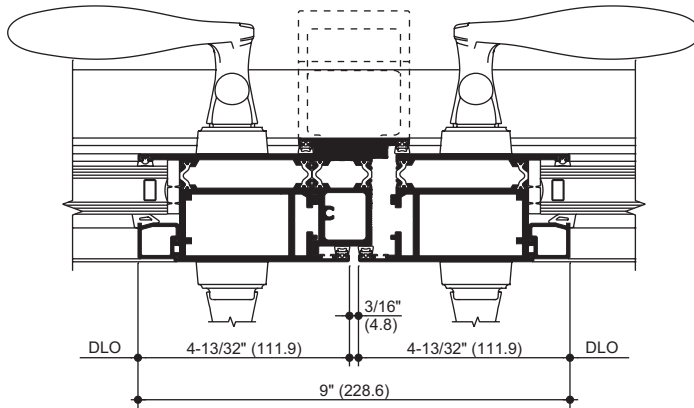
Maximum Frame Size = 48" x 120"  
(1,219.2 x 3,048)  
Minimum Frame Size = 30" x 73"  
(762 x 1,854.2)

**Pair of Doors**

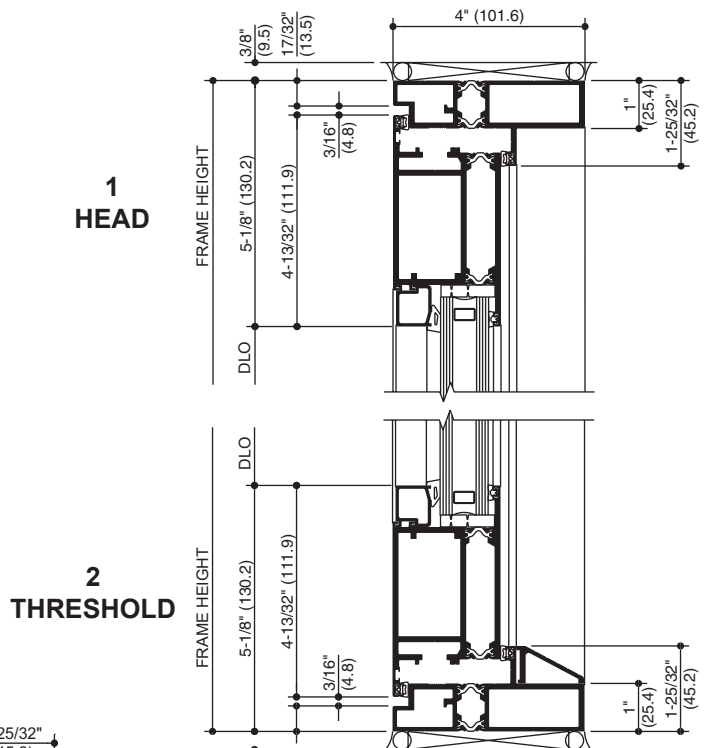
Maximum Frame Size = 96" x 96"  
(2,438.4 x 2,438.4)  
Minimum Frame Size = 60" x 81"  
(1,524 x 2,057.4)



**OUTSWING DOORS & FRAME**

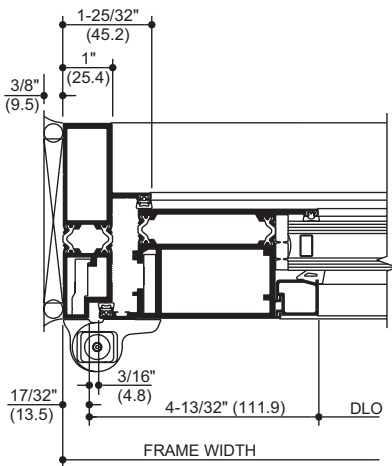


**5 MEETING STILE**

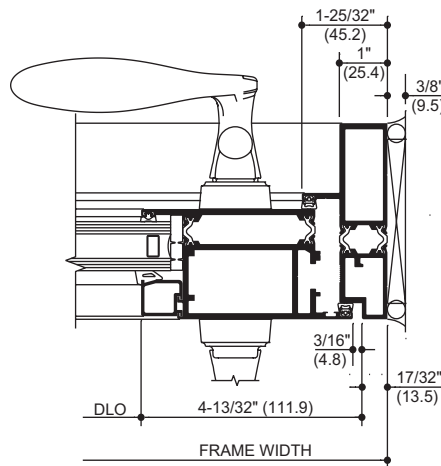


**1 HEAD**

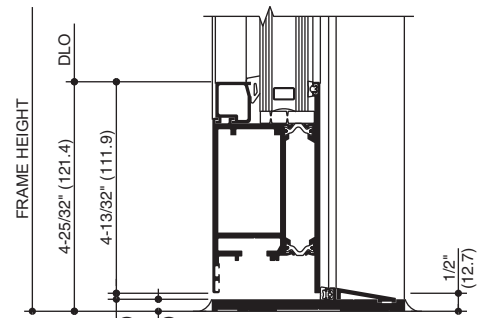
**2 THRESHOLD**



**3 PIVOT JAMB**



**4 LOCK JAMB AT DEADBOLT/LATCHLOCK**



**2A OPTIONAL LOW PROFILE THRESHOLD**

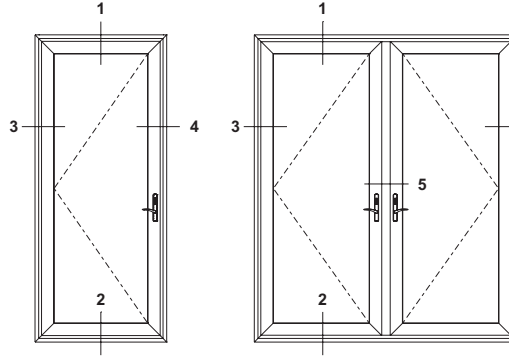
Laws and building and safety codes governing the design and use of Kawneer products, such as glazed entrance, window, and curtain wall products, vary widely. Kawneer does not control the selection of product configurations, operating hardware, or glazing materials, and assumes no responsibility therefor.

Kawneer reserves the right to change configuration without prior notice when deemed necessary for product improvement.  
© 2017, Kawneer Company, Inc.

Additional information and CAD details are available at [www.kawneer.com](http://www.kawneer.com)

**Single Door**

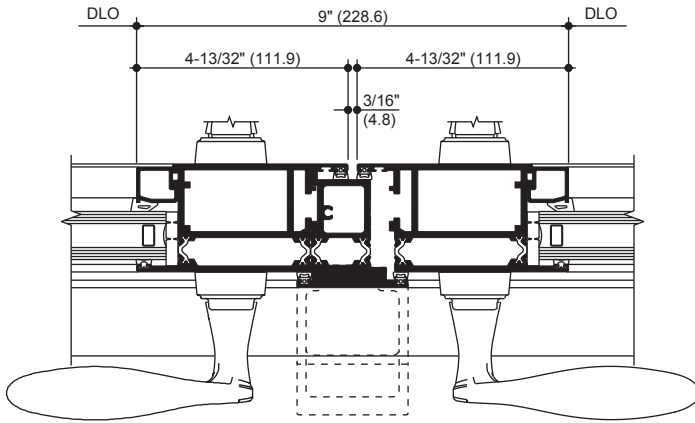
Maximum Frame Size = 48" x 120"  
(1,219.2 x 3,048)  
Minimum Frame Size = 30" x 73"  
(762 x 1,854.2)



**Pair of Doors**

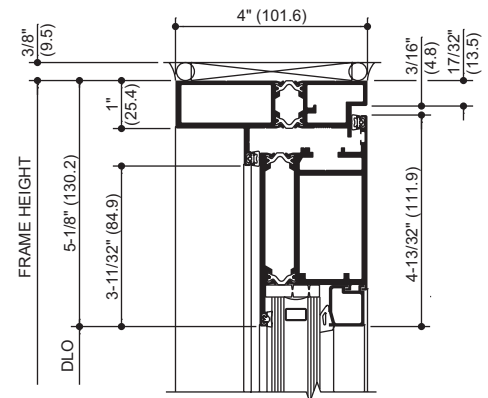
Maximum Frame Size = 96" x 96"  
(2,438.4 x 2,438.4)  
Minimum Frame Size = 60" x 81"  
(1,524 x 2,057.4)

**INSWING DOORS & FRAME**

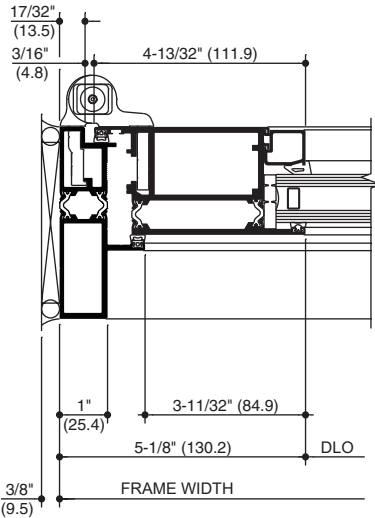
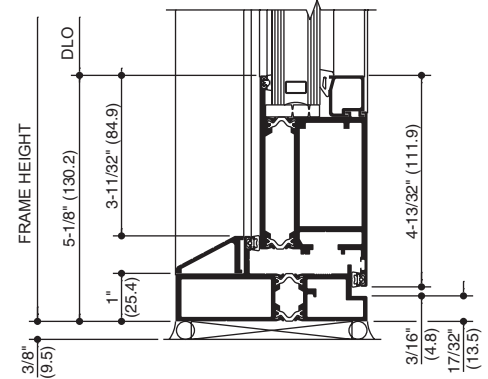


**5 MEETING STILE**

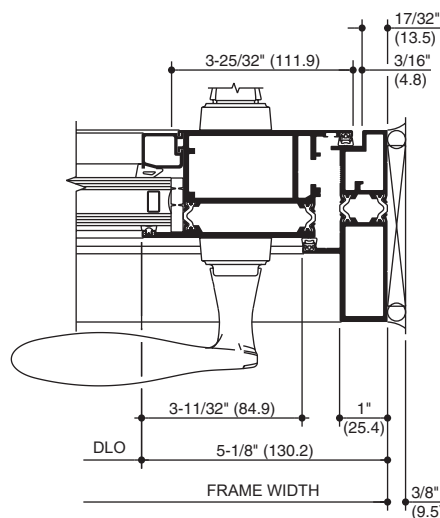
**1 HEAD**



**2 THRESHOLD**



**3 PIVOT JAMB**



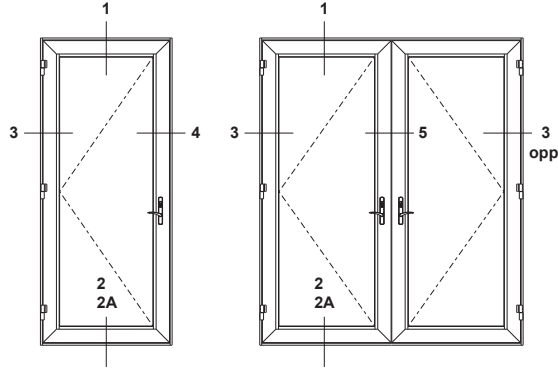
**4 LOCK JAMB AT DEADBOLT/LATCHLOCK**

Laws and building and safety codes governing the design and use of Kawneer products, such as glazed entrance, window, and curtain wall products, vary widely. Kawneer does not control the selection of product configurations, operating hardware, or glazing materials, and assumes no responsibility therefor.

Kawneer reserves the right to change configuration without prior notice when deemed necessary for product improvement.  
© 2017, Kawneer Company, Inc.

Additional information and CAD details are available at [www.kawneer.com](http://www.kawneer.com)

**Note:** No dual finish option with 5" door frame.



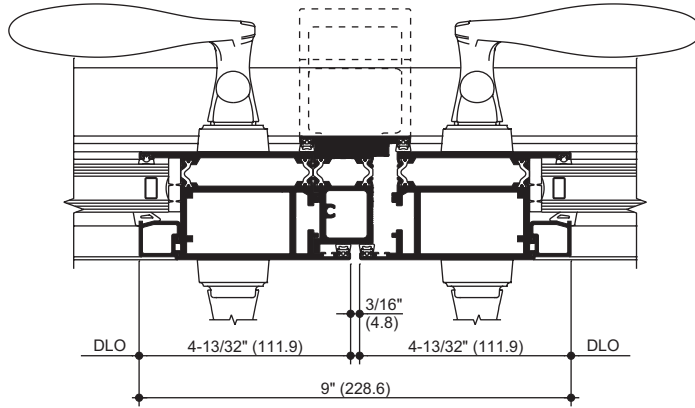
**Single Door**

Maximum Frame Size = 48" x 120"  
(1,219.2 x 3,048)  
Minimum Frame Size = 30" x 73"  
(762 x 1,854.2)

**Pair of Doors**

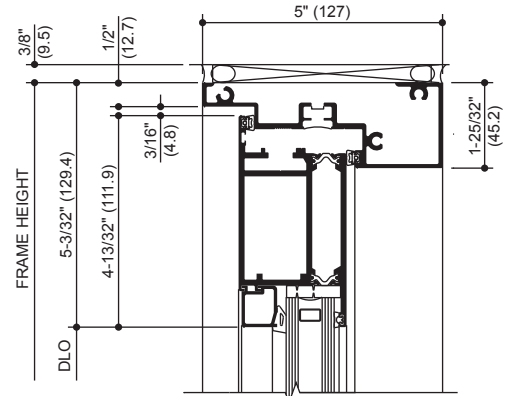
Maximum Frame Size = 96" x 96"  
(2,438.4 x 2,438.4)  
Minimum Frame Size = 60" x 81"  
(1,524 x 2,057.4)

**OUTSWING DOORS & FRAME**

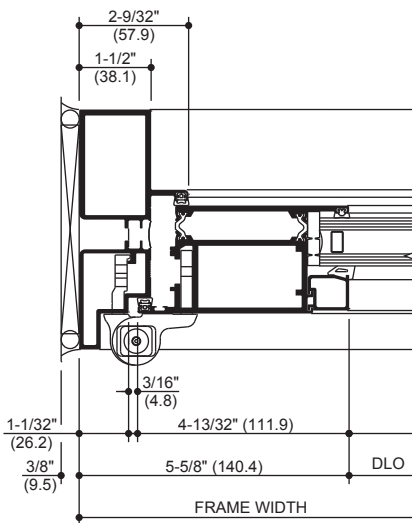
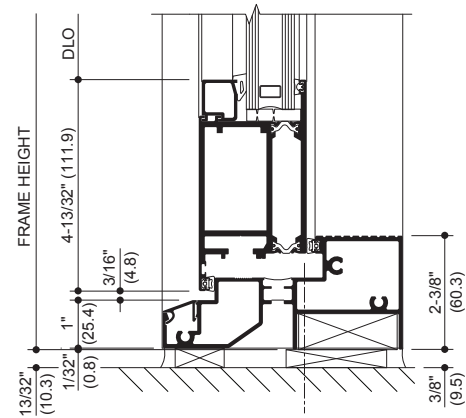


**5 MEETING STILE**

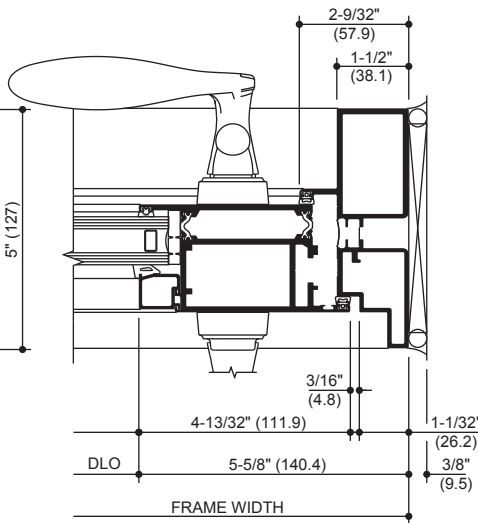
**1 HEAD**



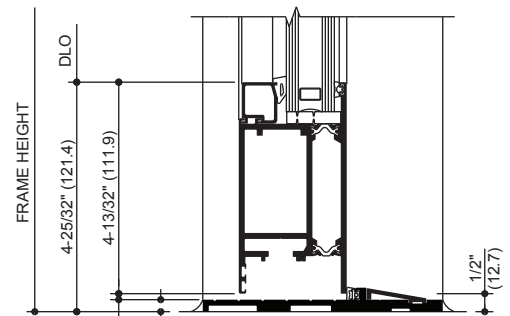
**2 THRESHOLD**



**3 PIVOT JAMB**



**4 LOCK JAMB AT DEADBOLT/LATCHLOCK**



**2A OPTIONAL LOW PROFILE THRESHOLD**

Laws and building and safety codes governing the design and use of Kawneer products, such as glazed entrance, window, and curtain wall products, vary widely. Kawneer does not control the selection of product configurations, operating hardware, or glazing materials, and assumes no responsibility therefor.

Kawneer reserves the right to change configuration without prior notice when deemed necessary for product improvement.  
© 2017, Kawneer Company, Inc.

Additional information and CAD details are available at [www.kawneer.com](http://www.kawneer.com)

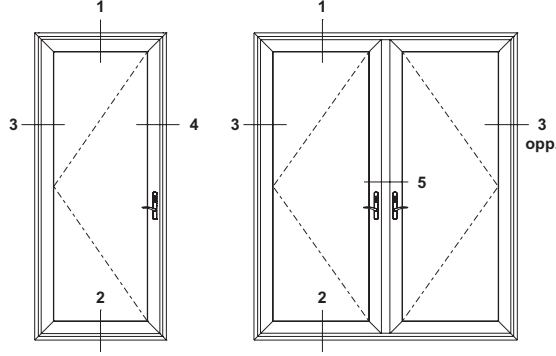
**Note:** No dual finish option with 5" door frame.

**Single Door**

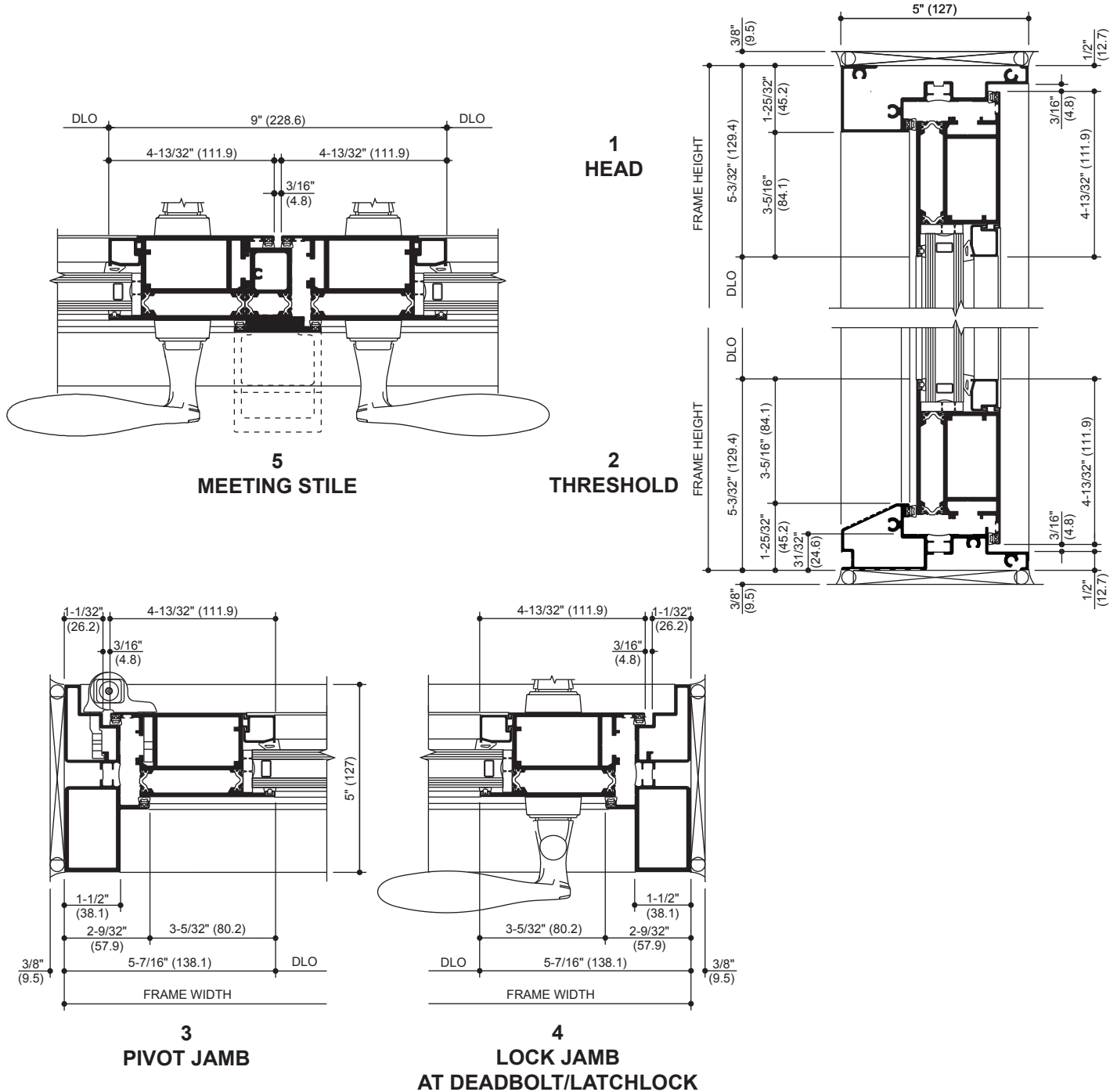
Maximum Frame Size = 48" x 120"  
(1,219.2 x 3,048)  
Minimum Frame Size = 30" x 73"  
(762 x 1,854.2)

**Pair of Doors**

Maximum Frame Size = 96" x 96"  
(2,438.4 x 2,438.4)  
Minimum Frame Size = 60" x 81"  
(1,524 x 2,057.4)



**INSWING DOORS & FRAME**



Law and building and safety codes governing the design and use of Kawneer products, such as glazed entrance, window, and curtain wall products, vary widely. Kawneer does not control the selection of product configurations, operating hardware, or glazing materials, and assumes no responsibility therefor.

Kawneer reserves the right to change configuration without prior notice when deemed necessary for product improvement.  
© 2017, Kawneer Company, Inc.



Additional information and CAD details are available at [www.kawneer.com](http://www.kawneer.com)

**Note:** For pairs reference detail 5 Meeting Stile on page 5.

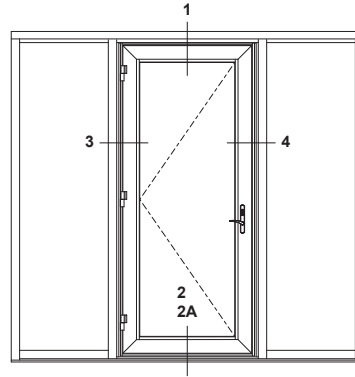
**Note:** No dual finish option with 5" door frame.

**Single Door**

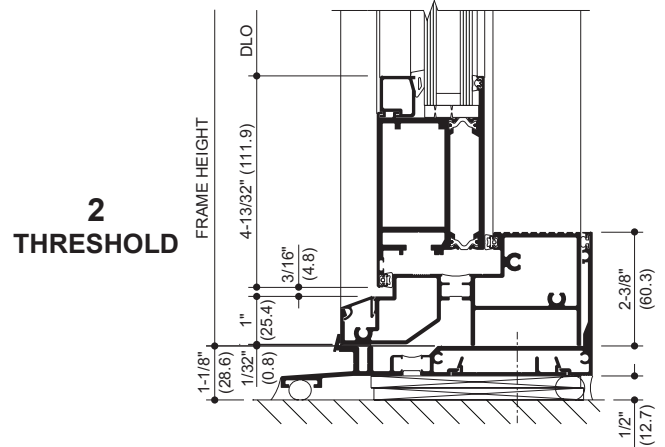
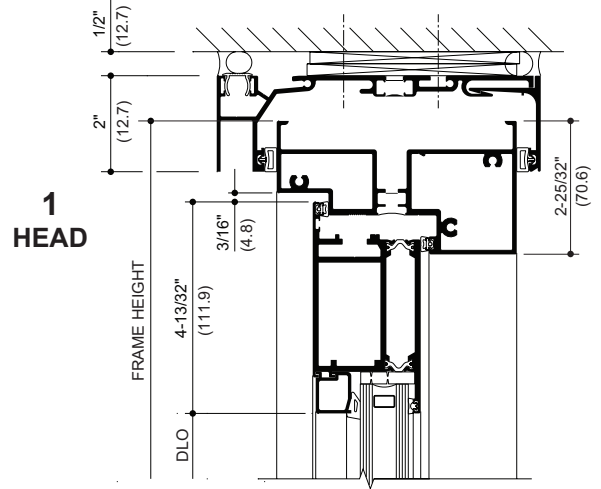
Maximum Frame Size = 48" x 120"  
(1219.2 x 3048)  
Minimum Frame Size = 30" x 73"  
(762 x 1854.2)

**Pair of Doors**

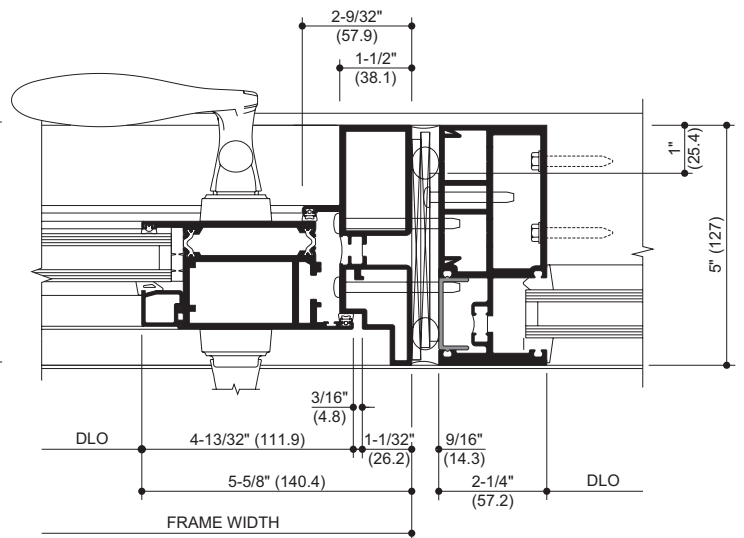
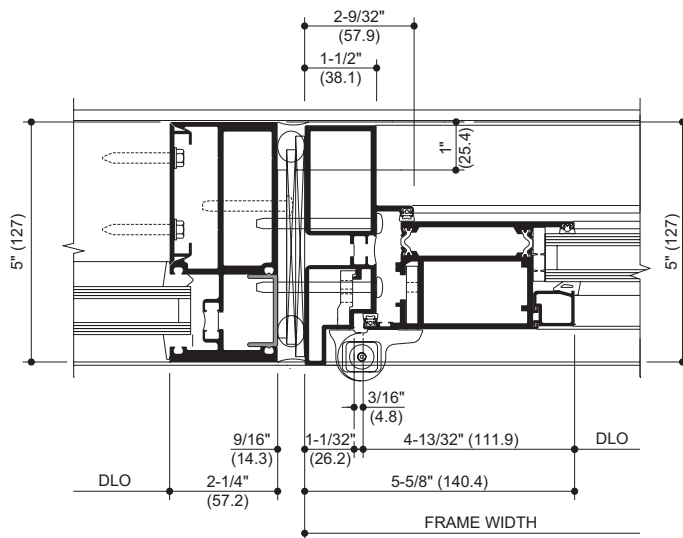
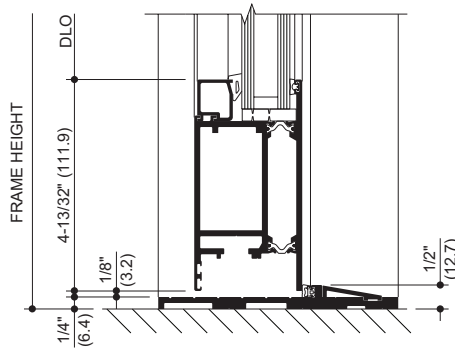
Maximum Frame Size = 96" x 96"  
(2438.4 x 2438.4)  
Minimum Frame Size = 60" x 81"  
(1524 x 2057.4)



OUTSWING DOORS & FRAME



**2A OPTIONAL LOW PROFILE THRESHOLD**



Laws and building and safety codes governing the design and use of Kawneer products, such as glazed entrance, window, and curtain wall products, vary widely. Kawneer does not control the selection of product configurations, operating hardware, or glazing materials, and assumes no responsibility therefor.

Kawneer reserves the right to change configuration without prior notice when deemed necessary for product improvement.  
© 2017, Kawneer Company, Inc.

Additional information and CAD details are available at [www.kawneer.com](http://www.kawneer.com)

**Note:** For pairs reference detail 5 Meeting Stile on page 5.

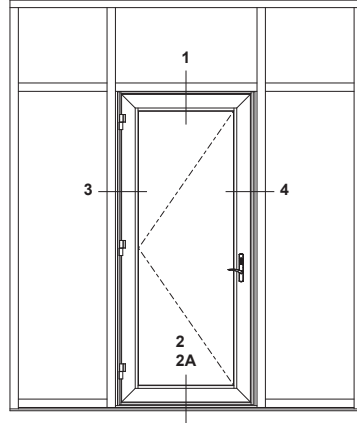
**Note:** No dual finish option with 5" door frame.

**Single Door**

Maximum Frame Size = 48" x 120"  
(1219.2 x 3048)  
Minimum Frame Size = 30" x 73"  
(762 x 1854.2)

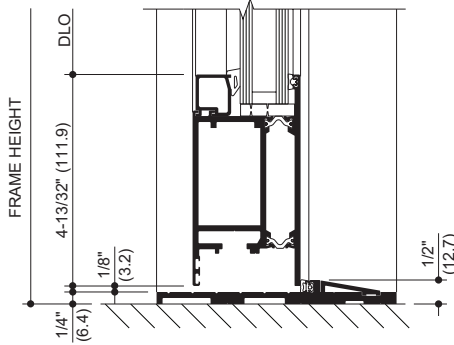
**Pair of Doors**

Maximum Frame Size = 96" x 96"  
(2438.4 x 2438.4)  
Minimum Frame Size = 60" x 81"  
(1524 x 2057.4)

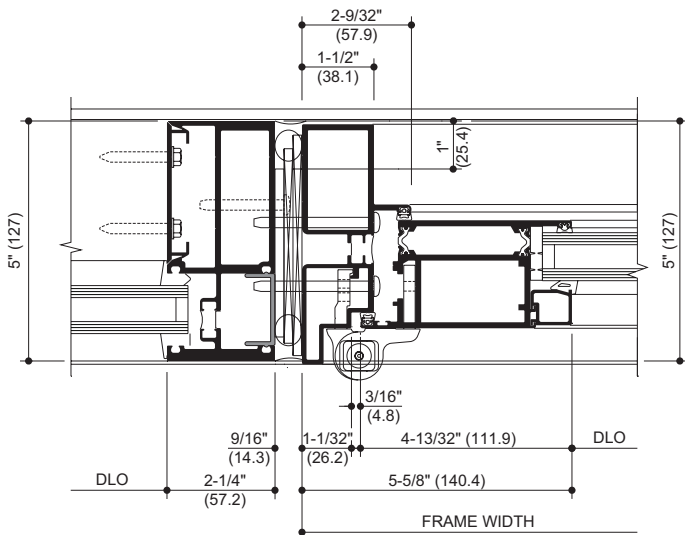
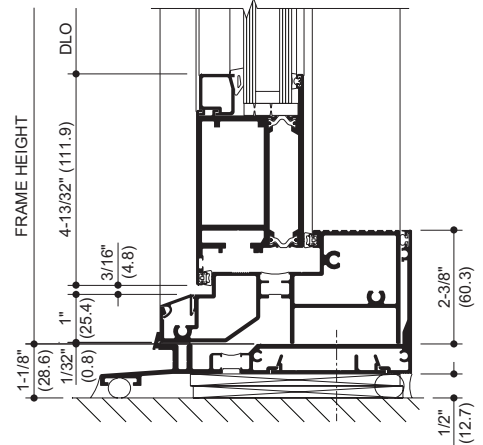


**OUTSWING DOORS & FRAME**

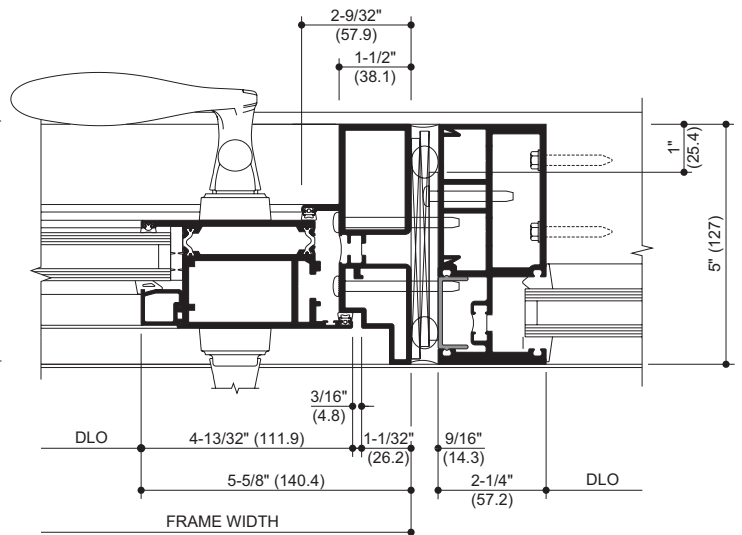
**2A  
OPTIONAL  
LOW PROFILE  
THRESHOLD**



**2  
THRESHOLD**



**3  
PIVOT JAMB**



**4  
LOCK JAMB  
AT DEADBOLT/LATCHLOCK**

Laws and building and safety codes governing the design and use of Kawneer products, such as glazed entrance, window, and curtain wall products, vary widely. Kawneer does not control the selection of product configurations, operating hardware, or glazing materials, and assumes no responsibility therefor.

Kawneer reserves the right to change configuration without prior notice when deemed necessary for product improvement.  
© 2017, Kawneer Company, Inc.

Additional information and CAD details are available at [www.kawneer.com](http://www.kawneer.com)

**Note:** For pairs reference detail 5 Meeting Stile on page 6.

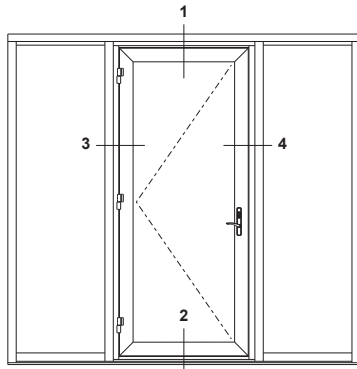
**Note:** No dual finish option with 5" door frame.

**Single Door**

Maximum Frame Size = 48" x 120"  
(1219.2 x 3048)  
Minimum Frame Size = 30" x 73"  
(762 x 1854.2)

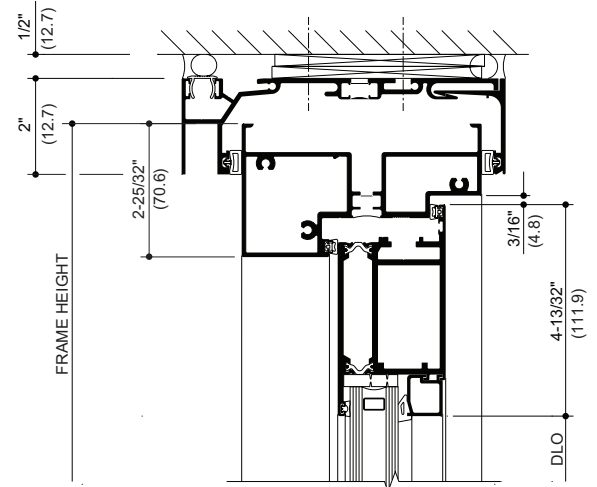
**Pair of Doors**

Maximum Frame Size = 96" x 96"  
(2438.4 x 2438.4)  
Minimum Frame Size = 60" x 81"  
(1524 x 2057.4)

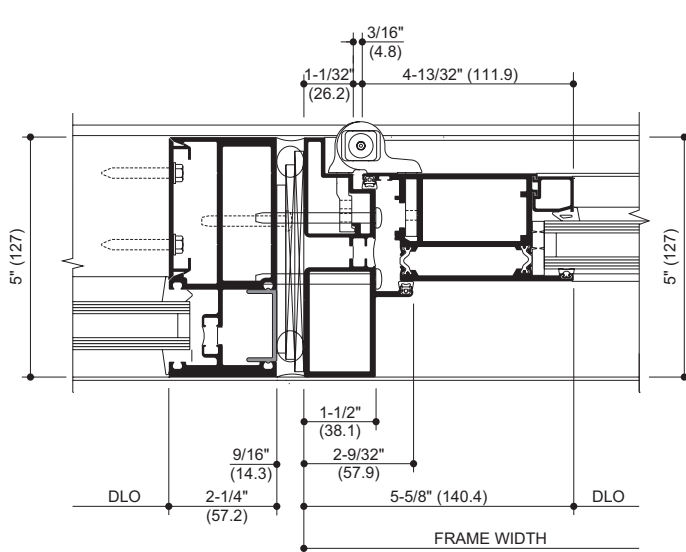
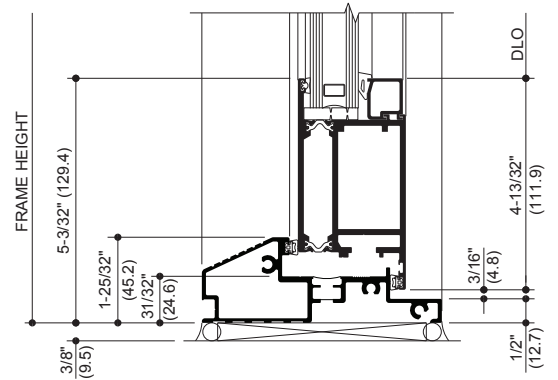


**INSWING DOORS & FRAME**

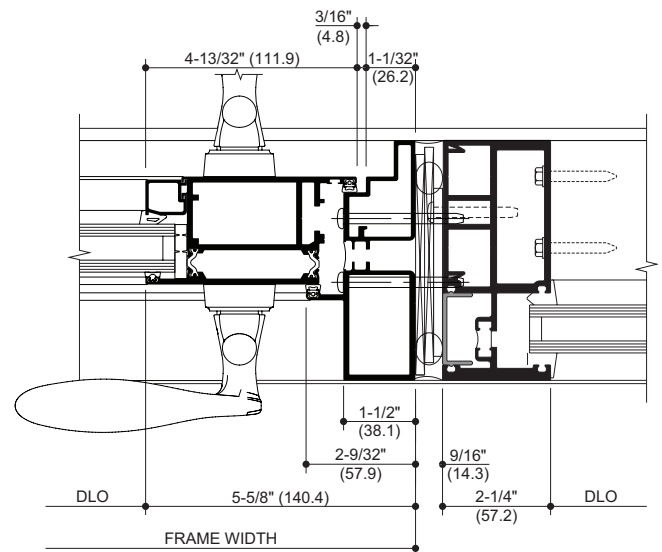
**1 HEAD**



**2 THRESHOLD**



**3 PIVOT JAMB**



**4 LOCK JAMB AT DEADBOLT/LATCHLOCK**

Laws and building and safety codes governing the design and use of Kawneer products, such as glazed entrance, window, and curtain wall products, vary widely. Kawneer does not control the selection of product configurations, operating hardware, or glazing materials, and assumes no responsibility therefor.

Kawneer reserves the right to change configuration without prior notice when deemed necessary for product improvement.  
© 2017, Kawneer Company, Inc.

Additional information and CAD details are available at [www.kawneer.com](http://www.kawneer.com)

**Note:** For pairs reference detail 5 Meeting Stile on page 6.

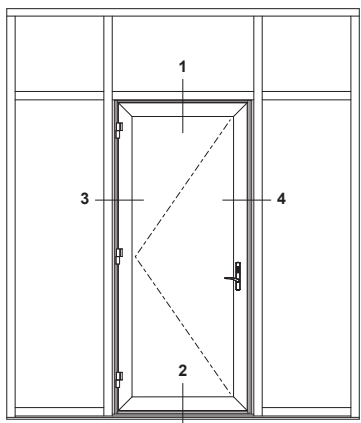
**Note:** No dual finish option with 5" door frame.

**Single Door**

Maximum Frame Size = 48" x 120"  
(1219.2 x 3048)  
Minimum Frame Size = 30" x 73"  
(762 x 1854.2)

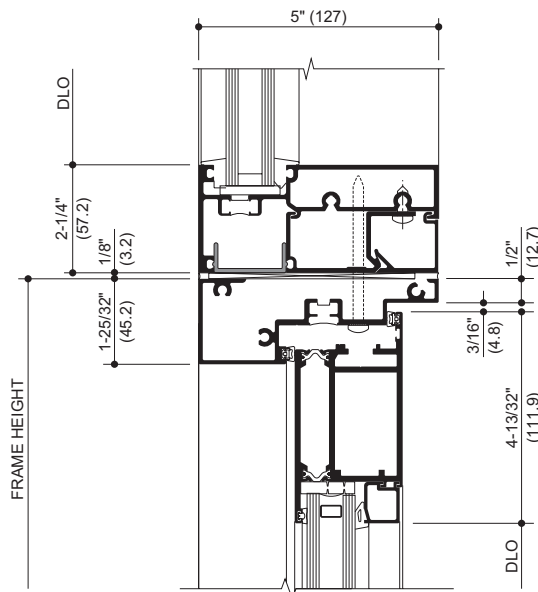
**Pair of Doors**

Maximum Frame Size = 96" x 96"  
(2438.4 x 2438.4)  
Minimum Frame Size = 60" x 81"  
(1524 x 2057.4)

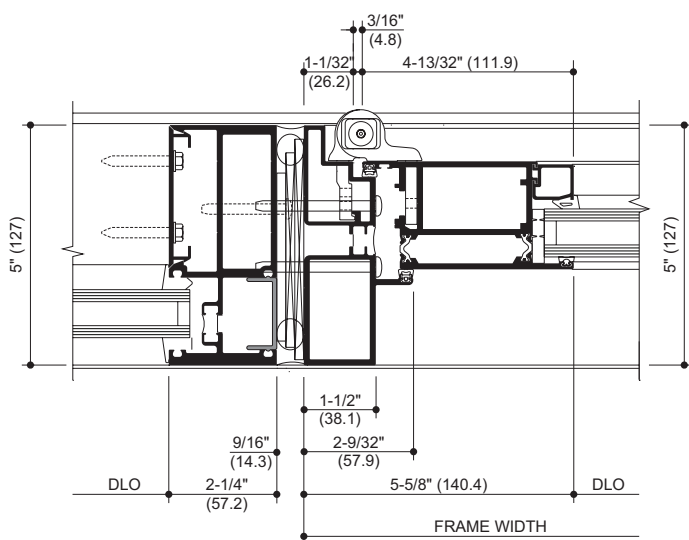
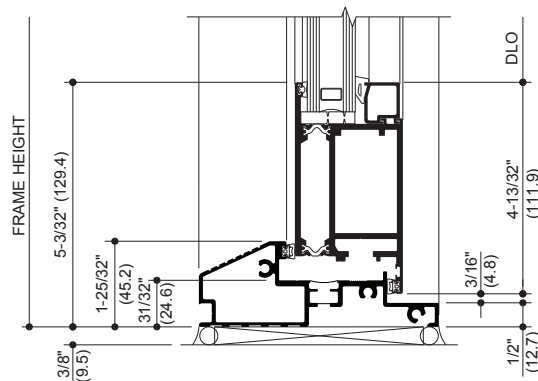


**INSWING DOORS & FRAME**

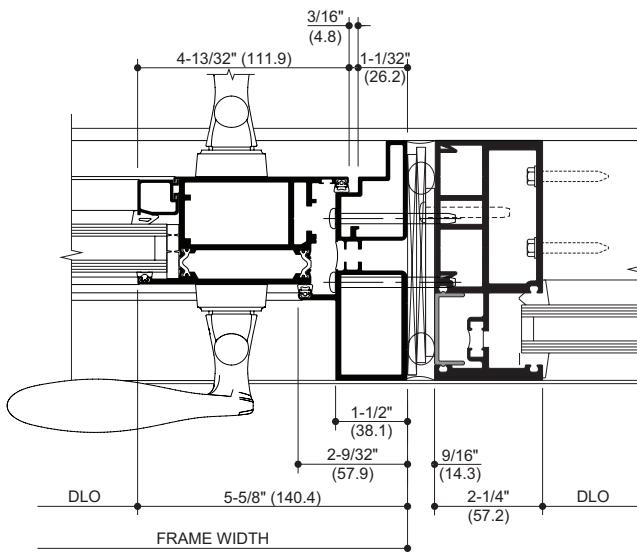
**1 HEAD**



**2 THRESHOLD**



**3 PIVOT JAMB**



**4 LOCK JAMB AT DEADBOLT/LATCHLOCK**

Laws and building and safety codes governing the design and use of Kawneer products, such as glazed entrance, window, and curtain wall products, vary widely. Kawneer does not control the selection of product configurations, operating hardware, or glazing materials, and assumes no responsibility therefor.

Kawneer reserves the right to change configuration without prior notice when deemed necessary for product improvement.  
© 2017, Kawneer Company, Inc.

Additional information and CAD details are available at [www.kawneer.com](http://www.kawneer.com)

**Note:** For pairs reference detail 5 Meeting Stile on page 5.

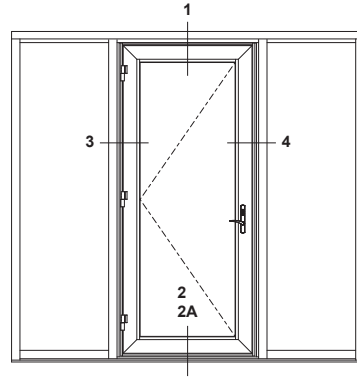
**Note:** No dual finish option with 5" door frame.

**Single Door**

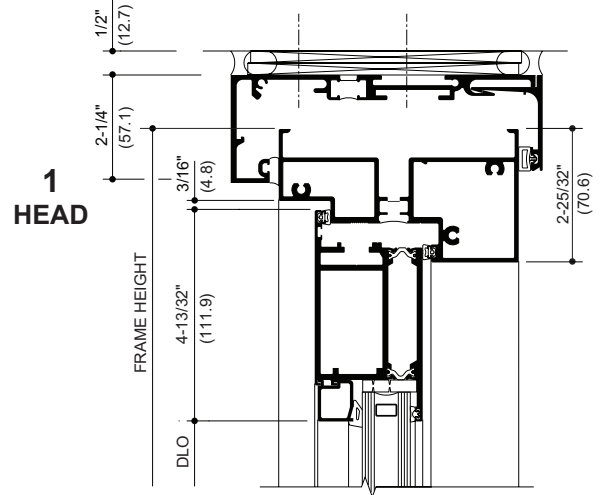
Maximum Frame Size = 48" x 120"  
(1219.2 x 3048)  
Minimum Frame Size = 30" x 73"  
(762 x 1854.2)

**Pair of Doors**

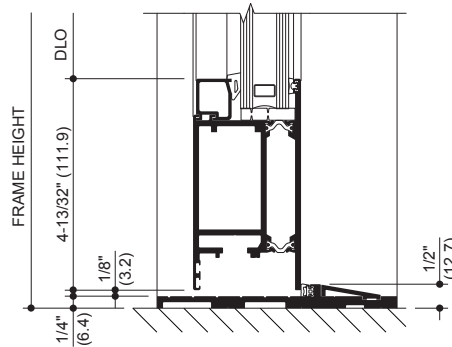
Maximum Frame Size = 96" x 96"  
(2438.4 x 2438.4)  
Minimum Frame Size = 60" x 81"  
(1524 x 2057.4)



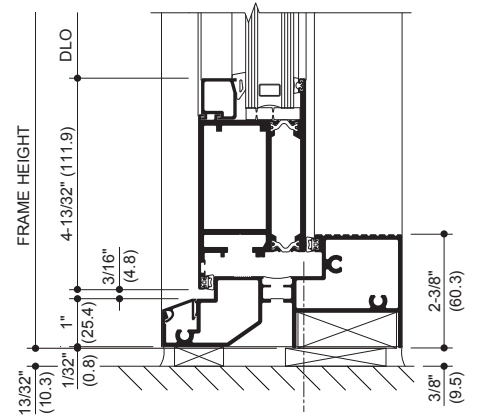
OUTSWING DOORS & FRAME



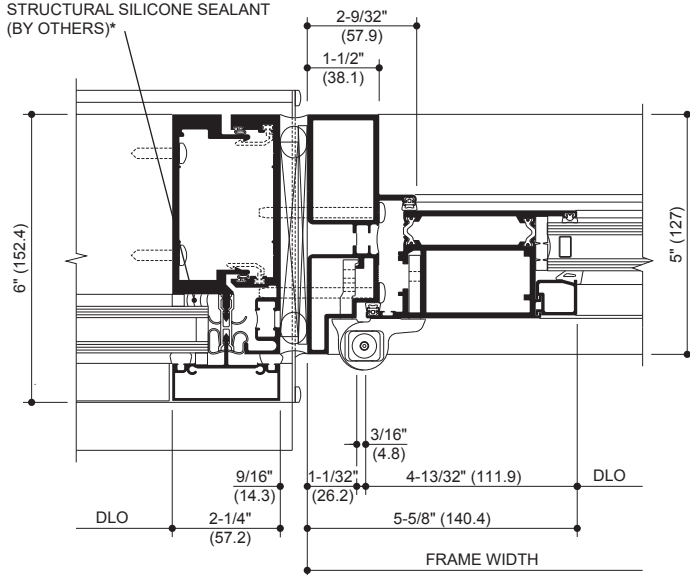
**2A**  
OPTIONAL  
LOW PROFILE  
THRESHOLD



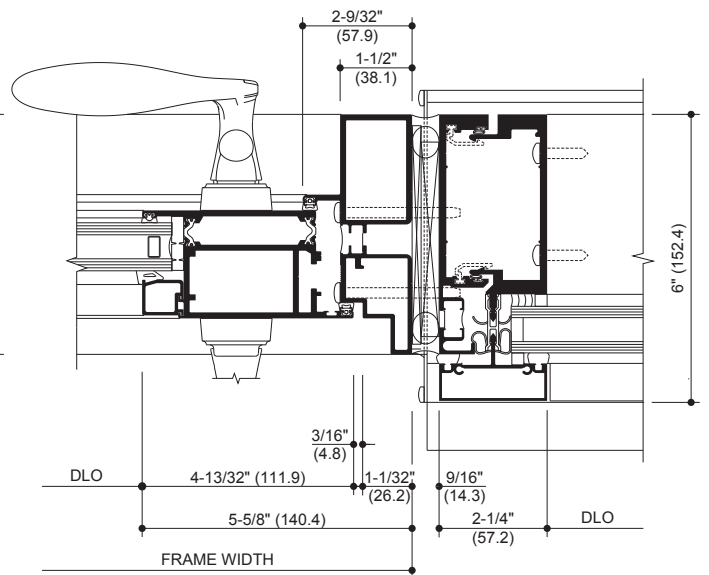
**2**  
THRESHOLD



STRUCTURAL SILICONE SEALANT (BY OTHERS)\*



**3**  
PIVOT JAMB



**4**  
LOCK JAMB  
AT DEADBOLT/LATCHLOCK

\* Installer Note: Installer is responsible for all required compatibility review and approvals with the Structural Silicone Manufacturer and the Insulated Glass Unit Manufacturer.

Laws and building and safety codes governing the design and use of Kawneer products, such as glazed entrance, window, and curtain wall products, vary widely. Kawneer does not control the selection of product configurations, operating hardware, or glazing materials, and assumes no responsibility therefor.

Kawneer reserves the right to change configuration without prior notice when deemed necessary for product improvement.  
© 2017, Kawneer Company, Inc.

Additional information and CAD details are available at [www.kawneer.com](http://www.kawneer.com)

**Note:** For pairs reference detail 5 Meeting Stile on page 5.

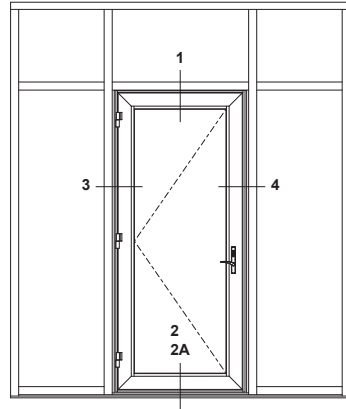
**Note:** No dual finish option with 5" door frame.

**Single Door**

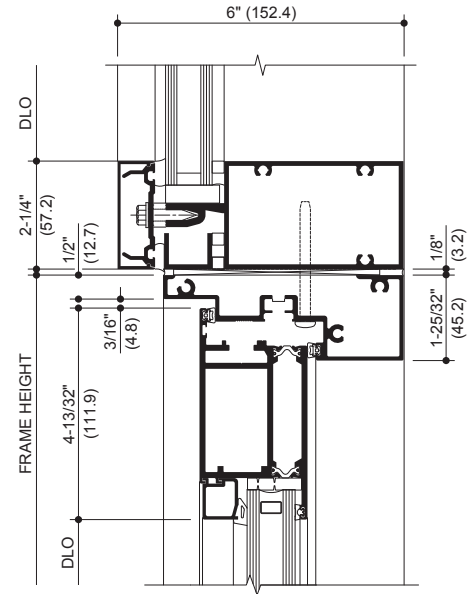
Maximum Frame Size = 48" x 120"  
(1219.2 x 3048)  
Minimum Frame Size = 30" x 73"  
(762 x 1854.2)

**Pair of Doors**

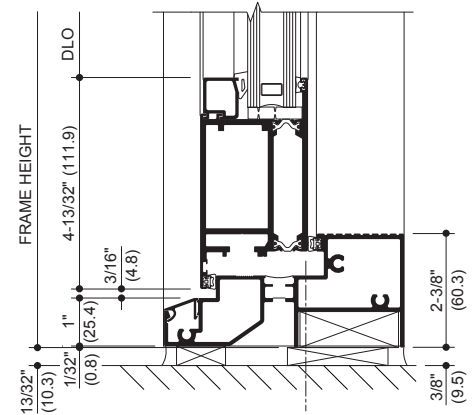
Maximum Frame Size = 96" x 96"  
(2438.4 x 2438.4)  
Minimum Frame Size = 60" x 81"  
(1524 x 2057.4)



**OUTSWING DOORS & FRAME**

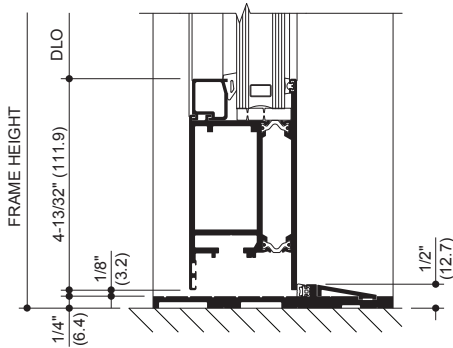


**1 HEAD**

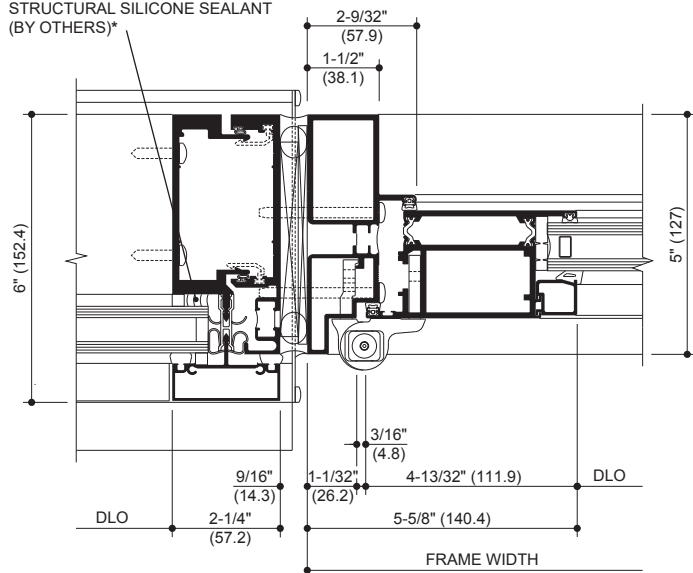


**2 THRESHOLD**

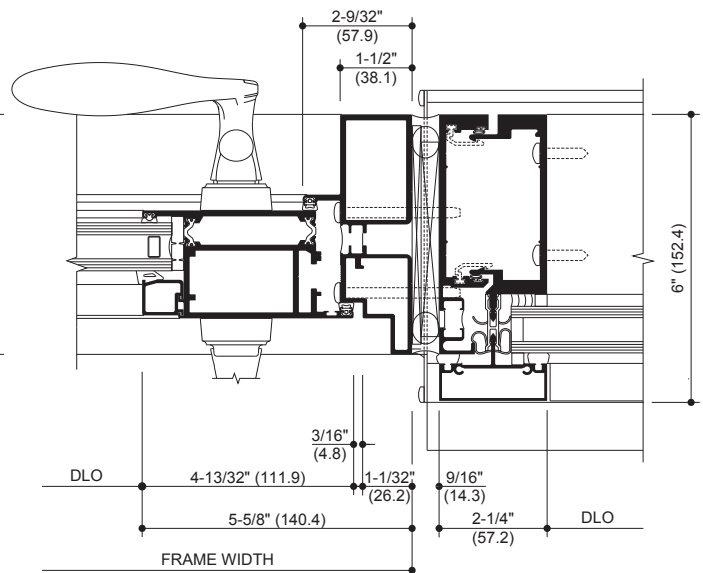
**2A  
OPTIONAL  
LOW PROFILE  
THRESHOLD**



STRUCTURAL SILICONE SEALANT (BY OTHERS)\*



**3  
PIVOT JAMB**



**4  
LOCK JAMB  
AT DEADBOLT/LATCHLOCK**

\* Installer Note: Installer is responsible for all required compatibility review and approvals with the Structural Silicone Manufacturer and the Insulated Glass Unit Manufacturer.

Laws and building and safety codes governing the design and use of Kawneer products, such as glazed entrance, window, and curtain wall products, vary widely. Kawneer does not control the selection of product configurations, operating hardware, or glazing materials, and assumes no responsibility therefor.

Kawneer reserves the right to change configuration without prior notice when deemed necessary for product improvement.  
© 2017, Kawneer Company, Inc.

Additional information and CAD details are available at [www.kawneer.com](http://www.kawneer.com)

Note: For pairs reference detail 5 Meeting Stile on page 6.

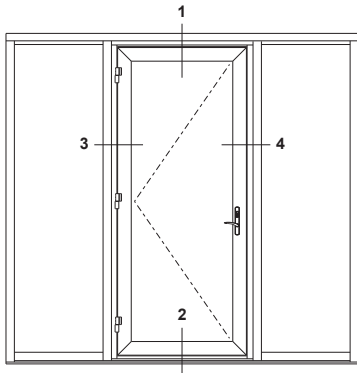
Note: No dual finish option with 5" door frame.

**Single Door**

Maximum Frame Size = 48" x 120"  
(1219.2 x 3048)  
Minimum Frame Size = 30" x 73"  
(762 x 1854.2)

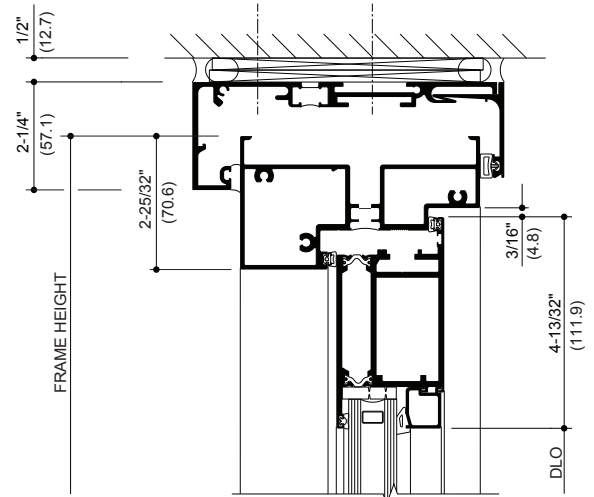
**Pair of Doors**

Maximum Frame Size = 96" x 96"  
(2438.4 x 2438.4)  
Minimum Frame Size = 60" x 81"  
(1524 x 2057.4)

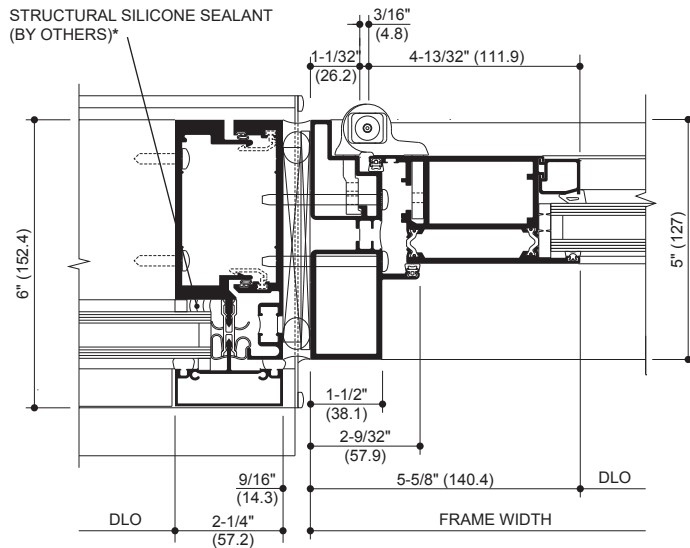
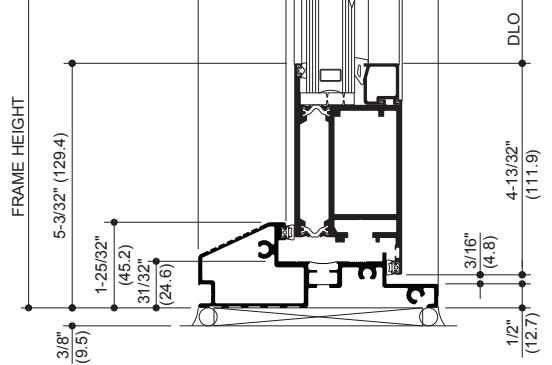


**INSWING DOORS & FRAME**

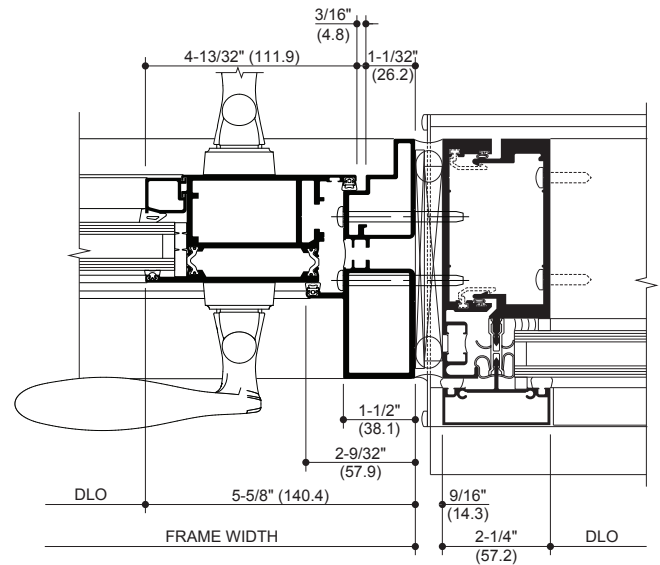
**1 HEAD**



**2 THRESHOLD**



**3 PIVOT JAMB**



**4 LOCK JAMB AT DEADBOLT/LATCHLOCK**

\* Installer Note: Installer is responsible for all required compatibility review and approvals with the Structural Silicone Manufacturer and the Insulated Glass Unit Manufacturer.

Laws and building and safety codes governing the design and use of Kawneer products, such as glazed entrance, window, and curtain wall products, vary widely. Kawneer does not control the selection of product configurations, operating hardware, or glazing materials, and assumes no responsibility therefor.

Kawneer reserves the right to change configuration without prior notice when deemed necessary for product improvement.  
© 2017, Kawneer Company, Inc.

Additional information and CAD details are available at [www.kawneer.com](http://www.kawneer.com)

**Note:** For pairs reference detail 5 Meeting Stile on page 6.

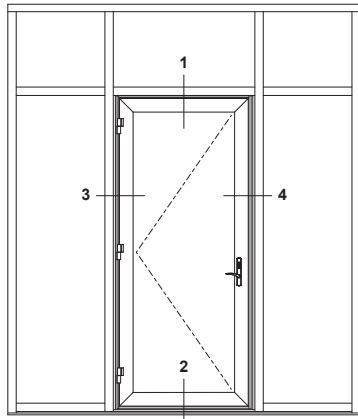
**Note:** No dual finish option with 5" door frame.

**Single Door**

Maximum Frame Size = 48" x 120"  
(1219.2 x 3048)  
Minimum Frame Size = 30" x 73"  
(762 x 1854.2)

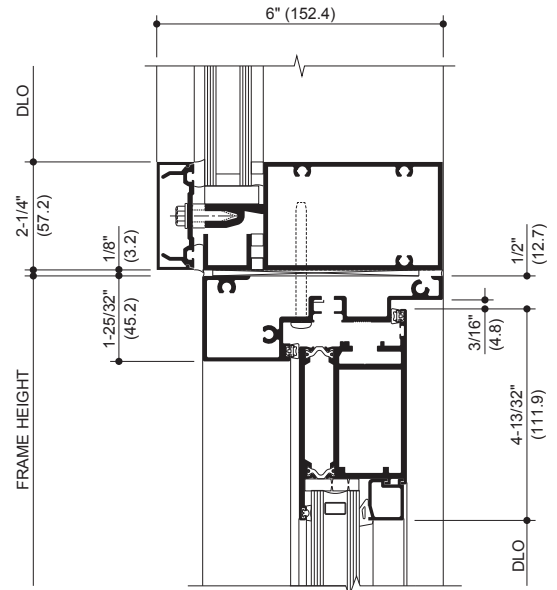
**Pair of Doors**

Maximum Frame Size = 96" x 96"  
(2438.4 x 2438.4)  
Minimum Frame Size = 60" x 81"  
(1524 x 2057.4)

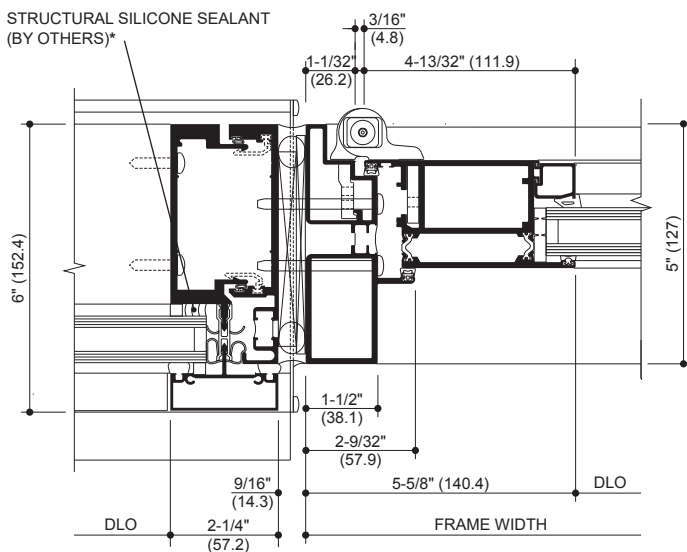
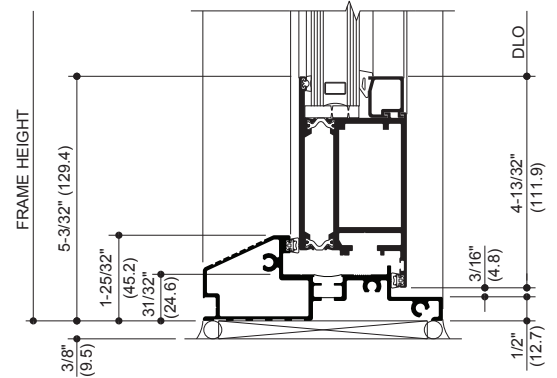


**INSWING DOORS & FRAME**

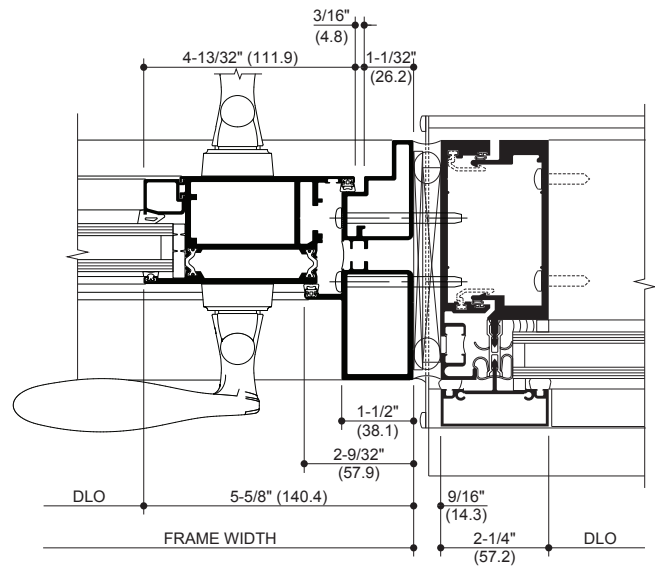
**1  
HEAD**



**2  
THRESHOLD**



**3  
PIVOT JAMB**



**4  
LOCK JAMB  
AT DEADBOLT/LATCHLOCK**

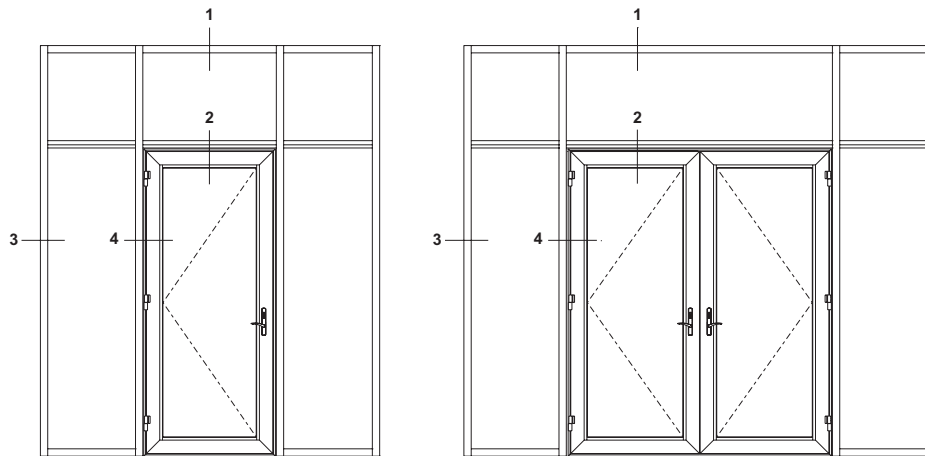
\* Installer Note: Installer is responsible for all required compatibility review and approvals with the Structural Silicone Manufacturer and the Insulated Glass Unit Manufacturer.

Laws and building and safety codes governing the design and use of Kawneer products, such as glazed entrance, window, and curtain wall products, vary widely. Kawneer does not control the selection of product configurations, operating hardware, or glazing materials, and assumes no responsibility therefor.

Kawneer reserves the right to change configuration without prior notice when deemed necessary for product improvement.  
© 2017, Kawneer Company, Inc.

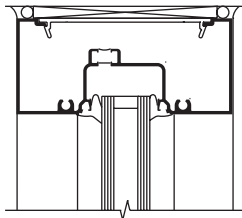


Additional information and CAD details are available at [www.kawneer.com](http://www.kawneer.com)

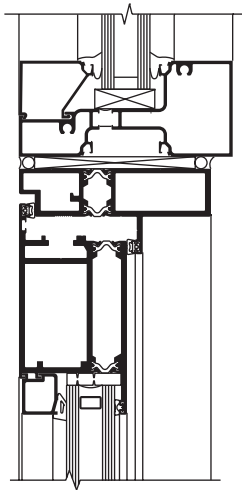


**OUTSWING DOORS & FRAME  
TRIFAB 451T FRAME SHOWN**

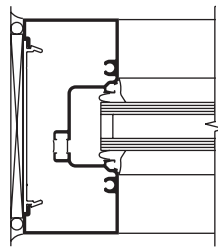
**1  
TRANSOM HEAD**



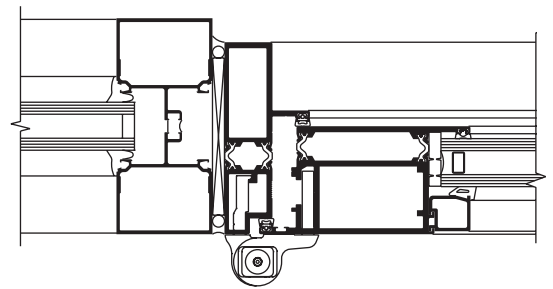
**2  
TRANSOM BAR**



**3  
SIDELITE JAMB**



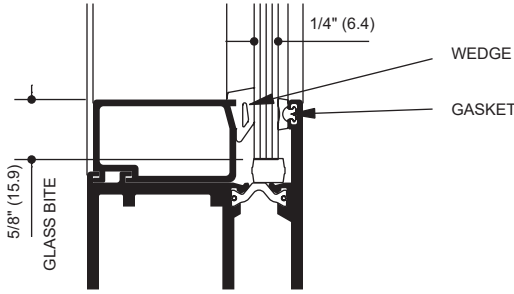
**4  
DOOR JAMB**



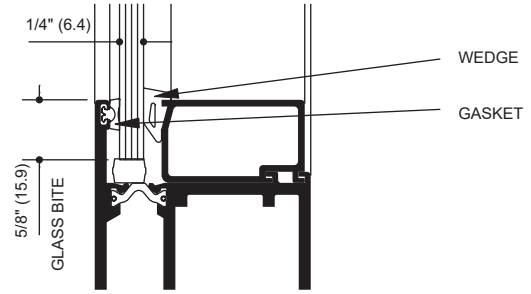
Laws and building and safety codes governing the design and use of Kawneer products, such as glazed entrance, window, and curtain wall products, vary widely. Kawneer does not control the selection of product configurations, operating hardware, or glazing materials, and assumes no responsibility therefor.

Kawneer reserves the right to change configuration without prior notice when deemed necessary for product improvement.  
© 2017, Kawneer Company, Inc.

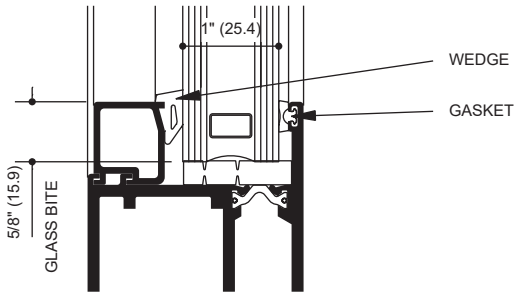
Additional information and CAD details are available at [www.kawneer.com](http://www.kawneer.com)



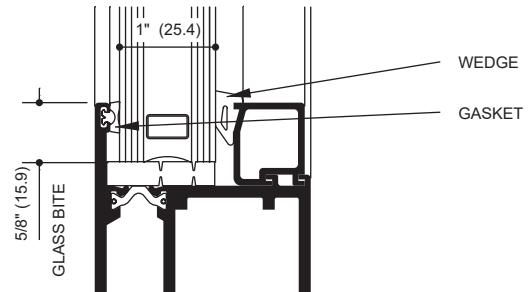
**1/4" (6.4) INFILL  
OUTSWING DOOR**



**1/4" (6.4) INFILL  
INSWING DOOR**

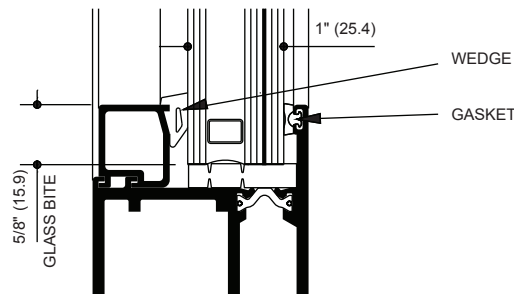


**1" (25.4) INFILL  
OUTSWING DOOR**

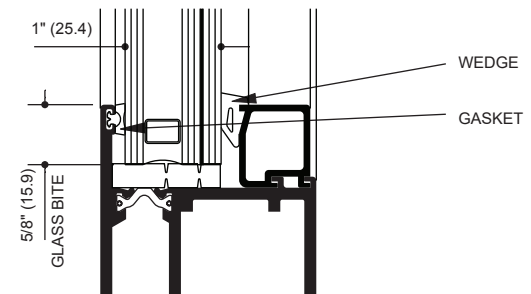


**1" (25.4) INFILL  
INSWING DOOR**

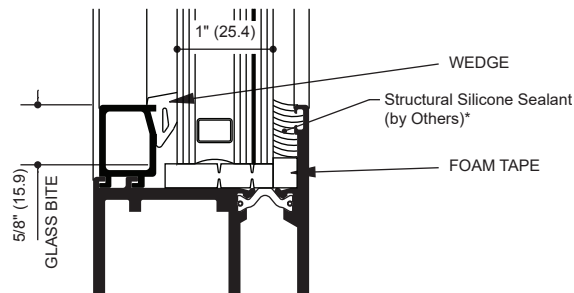
1/4" (6.4) and 1" (25.4) infills shown, other infills available.



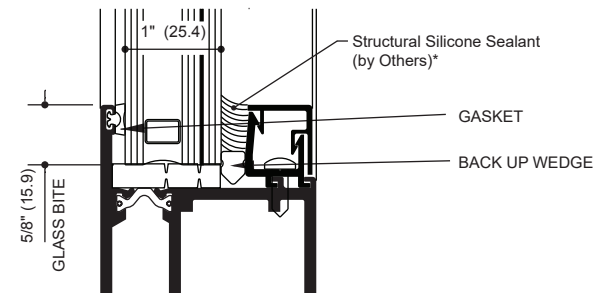
**1" (25.4) INFILL  
SMI ≤ 90 PSF / LMI ≤ 70 PSF  
OUTSWING DOOR**



**1" (25.4) INFILL  
SMI ≤ 90 PSF / LMI ≤ 70 PSF  
INSWING DOOR**



**1" (25.4) INFILL  
LMI OVER 70 PSF UP TO 90 PSF  
OUTSWING DOOR**



**1" (25.4) INFILL  
LMI OVER 70 PSF UP TO 90 PSF  
INSWING DOOR**

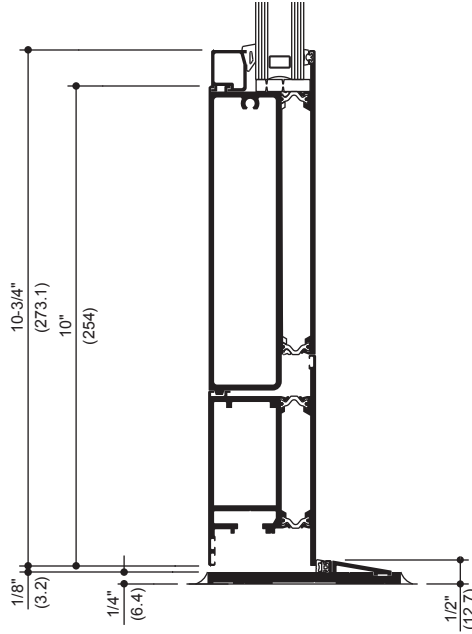
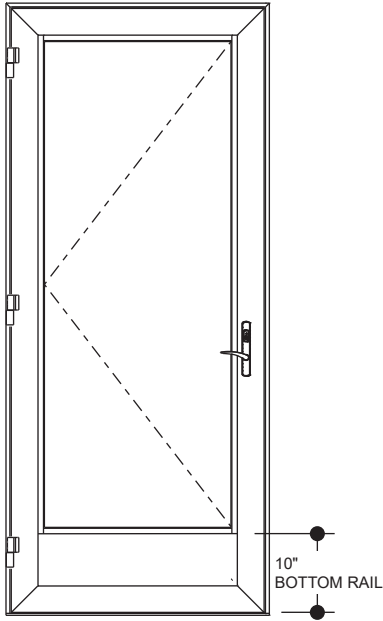
\* **INSTALLER NOTE:** Installer is responsible for all required compatibility review and approvals with the Structural Silicone Manufacturer and the Insulated Glass Unit Manufacturers.

Laws and building and safety codes governing the design and use of Kawneer products, such as glazed entrance, window, and curtain wall products, vary widely. Kawneer does not control the selection of product configurations, operating hardware, or glazing materials, and assumes no responsibility therefor.

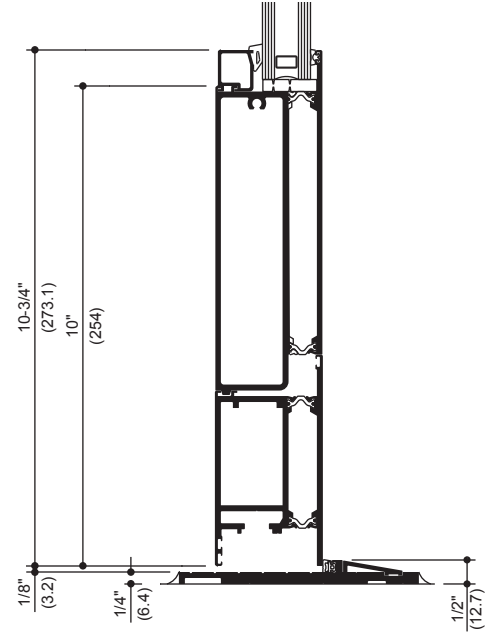
Kawneer reserves the right to change configuration without prior notice when deemed necessary for product improvement.  
© 2017, Kawneer Company, Inc.

Additional information and CAD details are available at [www.kawneer.com](http://www.kawneer.com)

Laws and building and safety codes governing the design and use of Kawneer products, such as glazed entrance, window, and curtain wall products, vary widely. Kawneer does not control the selection of product configurations, operating hardware, or glazing materials, and assumes no responsibility therefor.

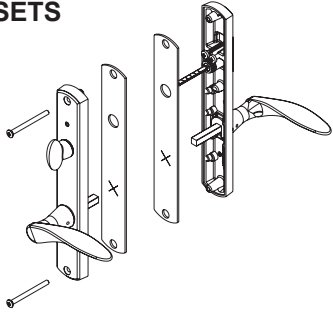


1" (25.4) INFILL  
4" (101.6) FRAME LOW PROFILE  
THRESHOLD WITH  
10" (254) BOTTOM RAIL

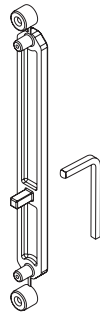


1" (25.4) INFILL  
5" (127) FRAME LOW PROFILE  
THRESHOLD WITH  
10" (254) BOTTOM RAIL

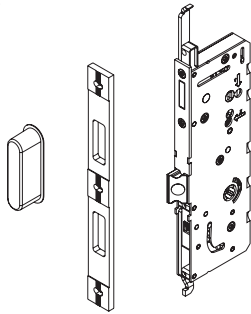
Kawneer reserves the right to change configuration without prior notice when deemed necessary for product improvement.  
© 2017, Kawneer Company, Inc.

**MULTIPOINT LOCK - HLS® 7 SERIES (Hoppe)****7 SERIES TRIM SETS**

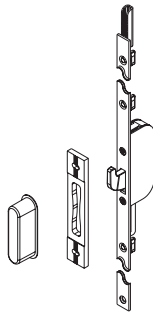
Contemporary Rodos style solid brass lever handle and escutcheon plate. Available in four finishes Matt Black, Polished Brass, Brushed Chrome and Rustic Umber. Includes keyed cylinder and thumbturn.

**CONSTRUCTION HANDLE AND 7 SERIES BACK PLATE**

Trim sets are shipped loose to avoid damage during construction. The construction handle and construction plate allow temporary operation of the locking hardware.

**7 SERIES LATCHLOCK/ DEADBOLT GEARBOX**

Egress style of lock function. Stainless steel gearbox provides both a latchlock for normal use and deadbolt for additional security. Lock strike plates are stainless steel and adjustable. Each includes an injection molded plastic dust box. Simultaneous retraction feature enables all locking points to be retracted by pushing down on the handle.

**SWINGHOOK**

Swinghooks provide additional locking points along the vertical edge of the door leaf. Lockstrikes are stainless steel and adjustable. Each includes an injection molded plastic dust box.

**SHOOT BOLT AND SLEEVE**

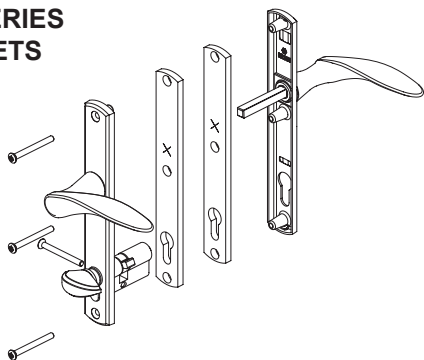
Top and bottom stainless steel shoot bolts secure the active and inactive leaf of pairs to the top frame member and threshold.

Laws and building and safety codes governing the design and use of Kawneer products, such as glazed entrance, window, and curtain wall products, vary widely. Kawneer does not control the selection of product configurations, operating hardware, or glazing materials, and assumes no responsibility therefor.

Kawneer reserves the right to change configuration without prior notice when deemed necessary for product improvement.  
© 2017, Kawneer Company, Inc.

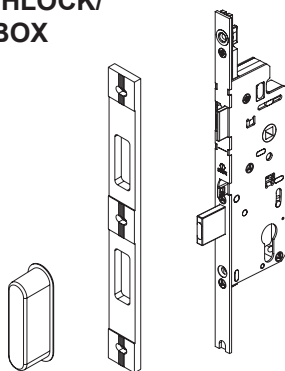
**MULTIPOINT LOCK - HLS® 9000 SERIES (Hoppe)**

**9000 SERIES TRIM SETS**



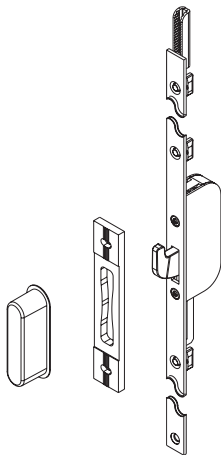
Contemporary Rodos style solid brass lever handle and escutcheon plate. Available in four finishes Matt Black, Polished Brass, Brushed Chrome and Rustic Umber. Includes keyed cylinder and thumbturn.

**9000 SERIES LATCHLOCK/ DEADBOLT GEARBOX**



Two step lock function. Stainless steel gearbox provides both a latchlock for normal use and deadbolt for additional security. Lock strike plates are stainless steel and adjustable. Each includes an injection molded plastic dust box.

**SWINGHOOK**



Swinghooks provide additional locking points along the vertical edge of the door leaf. Lockstrikes are stainless steel and adjustable. Each includes an injection molded plastic dust box.

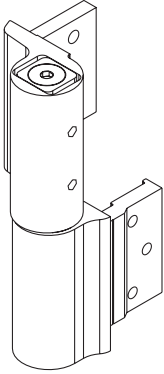
**SHOOT BOLT AND SLEEVE**



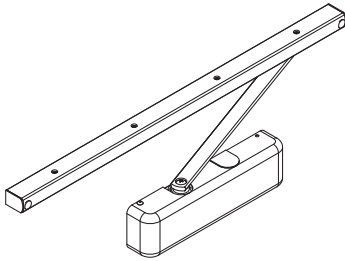
Top and bottom stainless steel shoot bolts secure the active and inactive leaf of pairs to the top frame member and threshold.

Laws and building and safety codes governing the design and use of Kawneer products, such as glazed entrance, window, and curtain wall products, vary widely. Kawneer does not control the selection of product configurations, operating hardware, or glazing materials, and assumes no responsibility therefor.

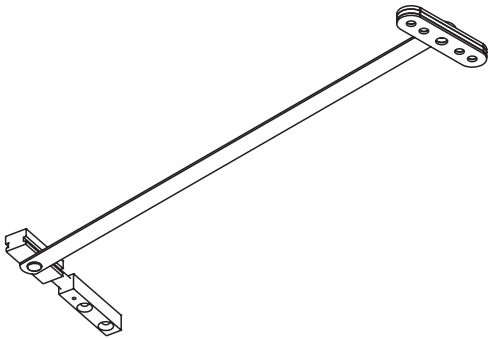
Kawneer reserves the right to change configuration without prior notice when deemed necessary for product improvement.  
© 2017, Kawneer Company, Inc.

**ADJUSTABLE BUTT HINGE**

Aluminum 3-way adjustable hinges improve alignment between door leaf and frame. Hinges adjust in and out, up and down and left to right without removing the door leaf. Available in clear and dark bronze anodized finishes or painted to match door leaf.

**SURFACE APPLIED CLOSER**

Door and frame will accommodate LCN 4031T surface mounted closer and drop plate. 4" frame and 5" frame options.

**DOOR STOP**

Stainless steel door stop assemblies are concealed in the top rail of the door leaf.

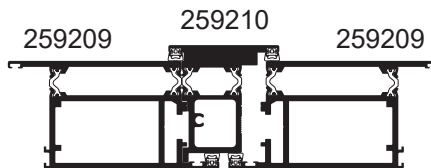
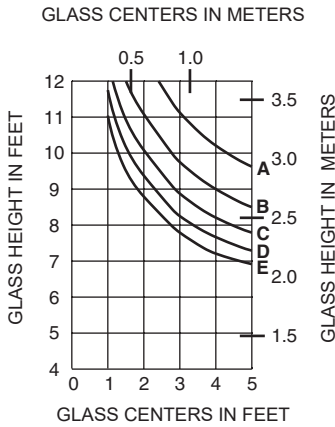
Laws and building and safety codes governing the design and use of Kawneer products, such as glazed entrance, window, and curtain wall products, vary widely. Kawneer does not control the selection of product configurations, operating hardware, or glazing materials, and assumes no responsibility therefor.

Kawneer reserves the right to change configuration without prior notice when deemed necessary for product improvement.  
© 2017, Kawneer Company, Inc.

**WIND LOAD LIMITATIONS**

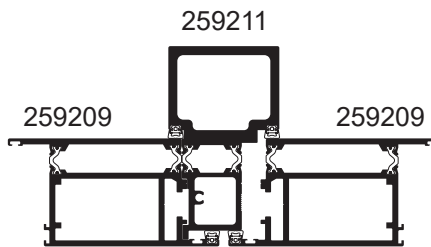
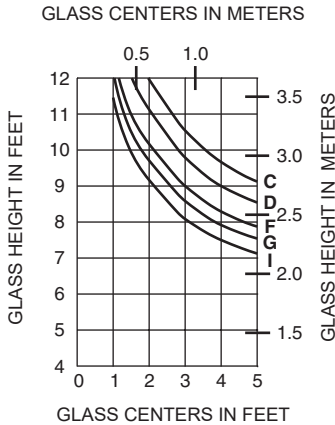
Charted wind load curves are based on allowable stress for aluminum of 15,152 PSI and a L/175 deflection ratio and, in all cases represent the limiting values. Dimensional limits at the stated wind loads are for door frame members anchored at the ends. Wind load charts contained herein are based upon nominal wind load utilized in allowable stress design. To convert ultimate wind loads to nominal loads, multiply ultimate wind loads by a factor of 0.6 per ASCE/SEI 7.

**SMALL ASTRAGAL**

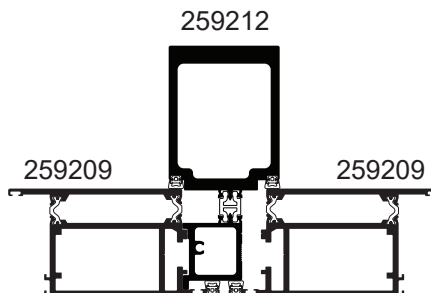
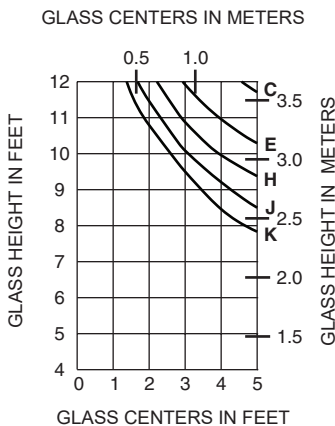


	Allowable Stress Design Load	LRFD Ultimate Design Load
A =	20 PSF (960)	33 PSF (1580)
B =	30 PSF (1440)	50 PSF (2400)
C =	40 PSF (1920)	67 PSF (3200)
D =	50 PSF (2400)	83 PSF (4000)
E =	60 PSF (2880)	100 PSF (4790)
F =	65 PSF (3120)	108 PSF (5180)
G =	75 PSF (3600)	125 PSF (6000)
H =	80 PSF (3830)	133 PSF (6380)
I =	90 PSF (4310)	150 PSF (7200)
J =	100 PSF (4790)	167 PSF (7980)
K =	120 PSF (5750)	200 PSF (9580)

**MEDIUM ASTRAGAL**



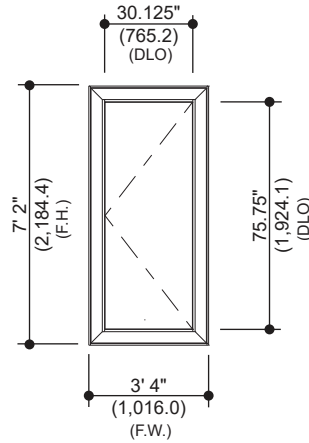
**LARGE ASTRAGAL**



Laws and building and safety codes governing the design and use of Kawneer products, such as glazed entrance, window, and curtain wall products, vary widely. Kawneer does not control the selection of product configurations, operating hardware, or glazing materials, and assumes no responsibility therefor.

Kawneer reserves the right to change configuration without prior notice when deemed necessary for product improvement.  
© 2017, Kawneer Company, Inc.

**Generic Project Specific U-factor Example Calculation**  
 (Percent of Glass will vary on specific products depending on sitelines)



Note: 2000T Terrace Door outswing shown for example.

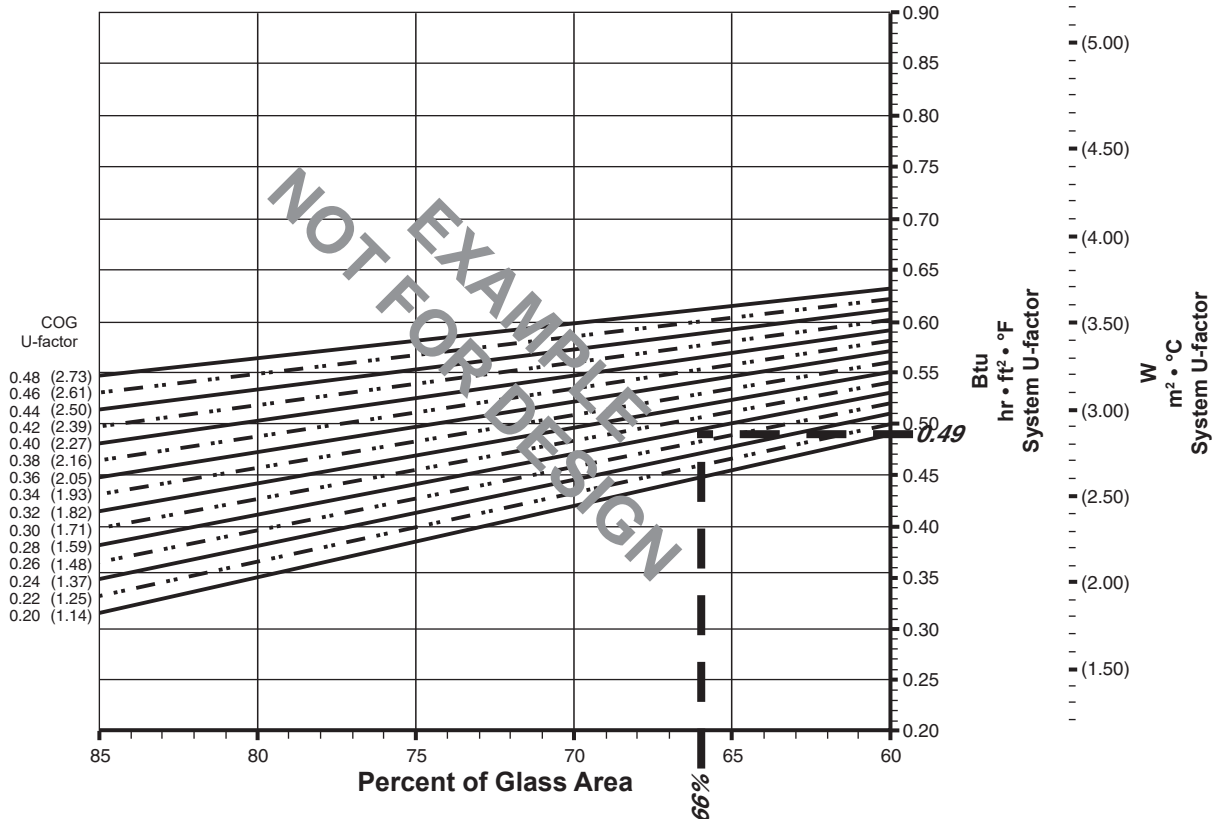
Example Glass U-Factor = 0.28 Btu/hr • ft<sup>2</sup> • °F

Total Daylight Opening = 30.125" x 75.75" = 15.85 ft<sup>2</sup>

Total Projected Area = 3' 4" x 7' 2" = 23.9 ft<sup>2</sup>

Percent of Glass = (Total Daylight Opening ÷ Total Projected Area)100  
 = (15.85 ÷ 23.9)100 = 66%

**System U-factor vs Percent of Glass Area**



Based on 66% glass and center of glass (COG) U-factor of 0.28  
 System U-factor is equal to 0.49 Btu/hr • ft<sup>2</sup> • °F

Laws and building and safety codes governing the design and use of Kawneer products, such as glazed entrance, window, and curtain wall products, vary widely. Kawneer does not control the selection of product configurations, operating hardware, or glazing materials, and assumes no responsibility therefor.

Kawneer reserves the right to change configuration without prior notice when deemed necessary for product improvement.  
 © 2017, Kawneer Company, Inc.



2000T TERRACE DOOR - SINGLE LEAF

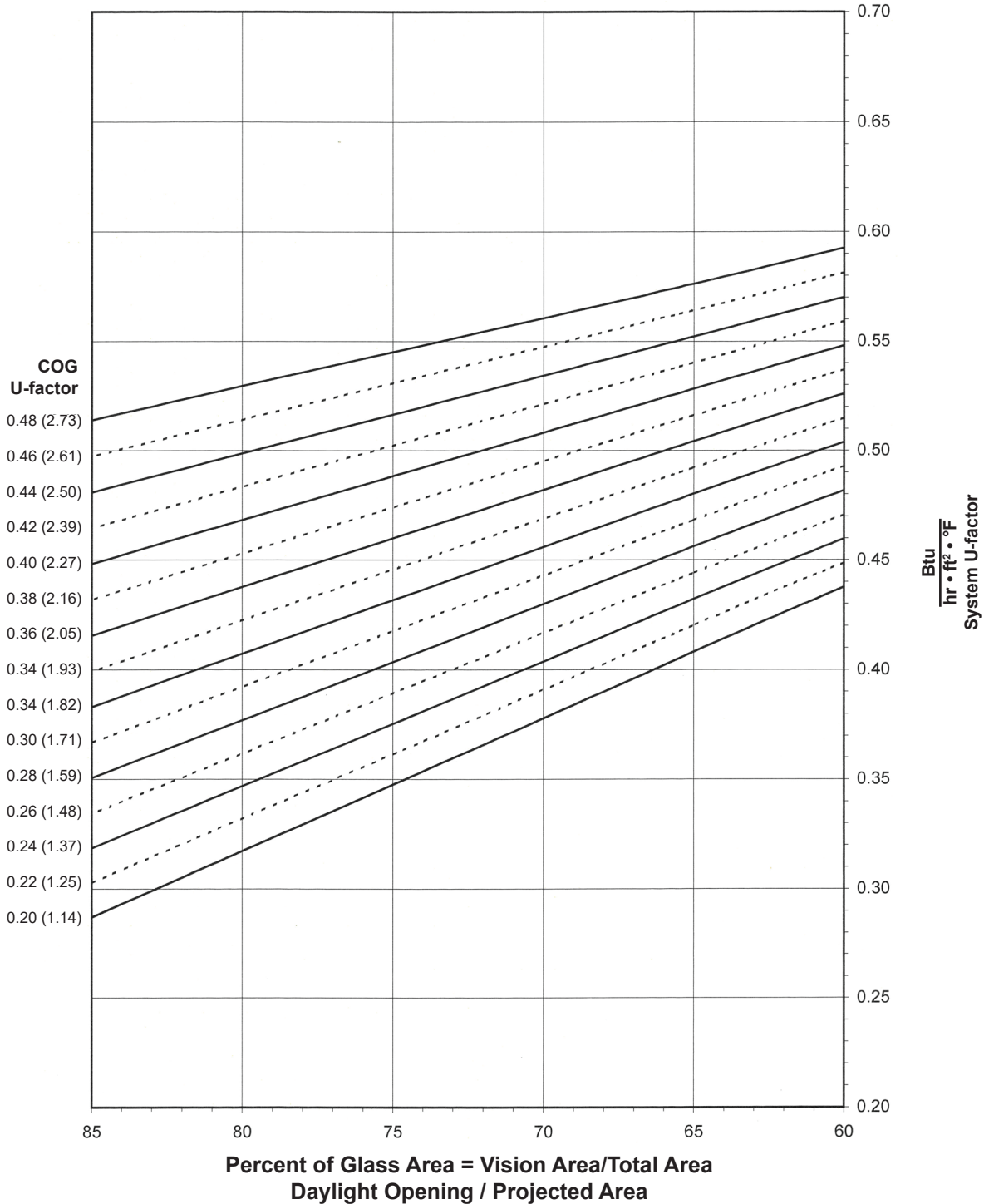
**Note:**

Values in parentheses are metric.

COG = Center of Glass.

Charts are generated per AAMA 507

**System U-factor vs Percent of Glass Area**



**Notes for System U-factor, SHGC and VT charts:**

For glass values that are not listed, linear interpolation is permitted.

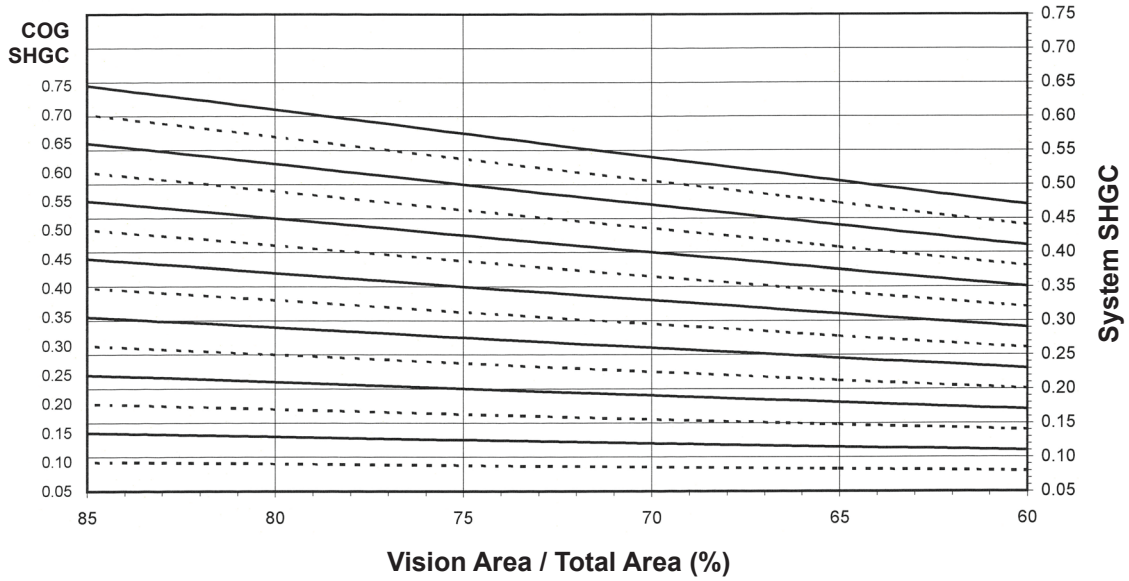
Glass properties are based on center of glass values and are obtained from your glass supplier.

Laws and building and safety codes governing the design and use of Kawneer products, such as glazed entrance, window, and curtain wall products, vary widely. Kawneer does not control the selection of product configurations, operating hardware, or glazing materials, and assumes no responsibility therefor.

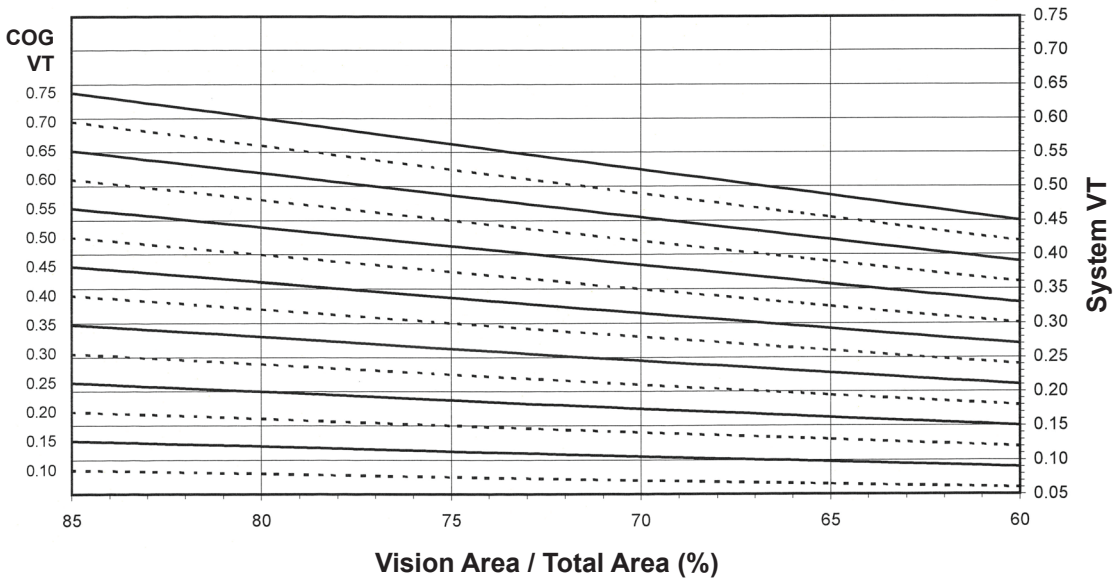
Kawneer reserves the right to change configuration without prior notice when deemed necessary for product improvement.  
© 2017, Kawneer Company, Inc.

2000T TERRACE DOOR - SINGLE LEAF

System Solar Heat Gain Coefficient (SHGC) vs Percent of Vision Area



System Visible Transmittance (VT) vs Percent of Vision Area



Laws and building and safety codes governing the design and use of Kawneer products, such as glazed entrance, window, and curtain wall products, vary widely. Kawneer does not control the selection of product configurations, operating hardware, or glazing materials, and assumes no responsibility therefor.

Kawneer reserves the right to change configuration without prior notice when deemed necessary for product improvement.  
© 2017, Kawneer Company, Inc.

**Thermal Transmittance <sup>1</sup> (BTU/hr • ft <sup>2</sup> • °F)**

Glass U-Factor <sup>3</sup>	Overall U-Factor <sup>4</sup>
0.48	0.58
0.46	0.56
0.44	0.55
0.42	0.54
0.40	0.53
0.38	0.52
0.36	0.50
0.34	0.49
0.32	0.48
0.30	0.47
0.28	0.46
0.26	0.44
0.24	0.43
0.22	0.42
0.20	0.41

**2000T TERRACE DOOR  
SINGLE LEAF**

**NOTE:** For glass values that are not listed, linear interpolation is permitted.

1. U-Factors are determined in accordance with NFRC 100.
2. SHGC and VT values are determined in accordance with NFRC 200.
3. Glass properties are based on center of glass values and are obtained from your glass supplier.
4. Overall U-Factor, SHGC, and VT Matricies are based on the standard NFRC specimen size of 1,000 mm wide by 2,000 mm high (39-3/8" by 78-3/4").

**SHGC Matrix <sup>2</sup>**

Glass SHGC <sup>3</sup>	Overall SHGC <sup>4</sup>
0.75	0.51
0.70	0.47
0.65	0.44
0.60	0.41
0.55	0.38
0.50	0.34
0.45	0.31
0.40	0.28
0.35	0.25
0.30	0.21
0.25	0.18
0.20	0.15
0.15	0.12
0.10	0.08
0.05	0.05

**Visible Transmittance <sup>2</sup>**

Glass VT <sup>3</sup>	Overall VT <sup>4</sup>
0.75	0.49
0.70	0.46
0.65	0.42
0.60	0.39
0.55	0.36
0.50	0.33
0.45	0.29
0.40	0.26
0.35	0.23
0.30	0.20
0.25	0.16
0.20	0.13
0.15	0.10
0.10	0.07
0.05	0.03

Laws and building and safety codes governing the design and use of Kawneer products, such as glazed entrance, window, and curtain wall products, vary widely. Kawneer does not control the selection of product configurations, operating hardware, or glazing materials, and assumes no responsibility therefor.

Kawneer reserves the right to change configuration without prior notice when deemed necessary for product improvement.  
© 2017, Kawneer Company, Inc.

Laws and building and safety codes governing the design and use of Kawneer products, such as glazed entrance, window, and curtain wall products, vary widely. Kawneer does not control the selection of product configurations, operating hardware, or glazing materials, and assumes no responsibility therefor.

Kawneer reserves the right to change configuration without prior notice when deemed necessary for product improvement.  
© 2017, Kawneer Company, Inc.