

## **Features**

- 2" x 6" sightline, interior partition framing
- Flush glazed, center plane glass application
- Screw spline fabrication
- 1/8", 1/4", and 3/8" infill options
- Permanodic® anodized finishes option
- Painted finishes in standard and custom choices

## **Product Applications**

- Interior framing system
- Integrated entrance framing allowing Kawneer standard entrances or other specialty entrances to be incorporated

Laws and building and safety codes governing the design and use of Kawneer products, such as glazed entrance, window, and curtain wall products, vary widely. Kawneer does not control the selection of product configurations, operating hardware, or glazing materials, and assumes no responsibility therefor.

Kawneer reserves the right to change configuration without prior notice when deemed necessary for product improvement.  
© 2014, Kawneer Company, Inc.

For specific product applications,  
consult your Kawneer representative.

Laws and building and safety codes governing the design and use of Kawneer products, such as glazed entrance, window, and curtain wall products, vary widely. Kawneer does not control the selection of product configurations, operating hardware, or glazing materials, and assumes no responsibility therefor.

Kawneer reserves the right to change configuration without prior notice when deemed necessary for product improvement.  
© 2014, Kawneer Company, Inc.

**Architects** - Most extrusion and window types illustrated in this catalog are standard products for Kawneer. These concepts have been expanded and modified to afford you design freedom. Some miscellaneous details are non-standard and are intended to demonstrate how the system can be modified to expand design flexibility. Please contact your Kawneer representative for further assistance.

**BASIC FRAMING MEMBERS ..... 4**

**ENTRANCE FRAMING..... 5 - 6**

**MISCELLANEOUS FRAMING..... 7**

Laws and building and safety codes governing the design and use of Kawneer products, such as glazed entrance, window, and curtain wall products, vary widely. Kawneer does not control the selection of product configurations, operating hardware, or glazing materials, and assumes no responsibility therefor.

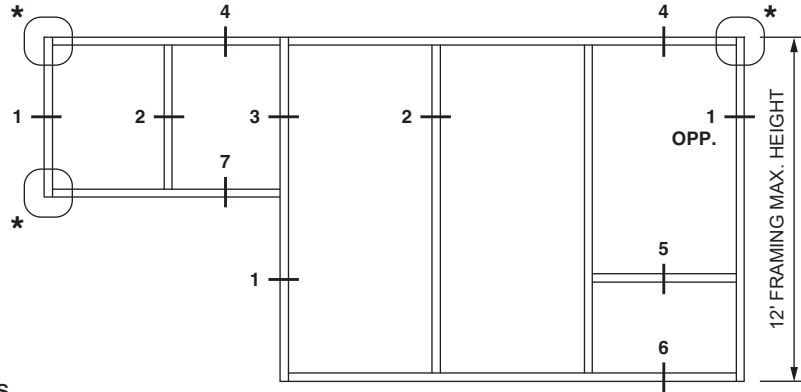
Kawneer reserves the right to change configuration without prior notice when deemed necessary for product improvement.  
© 2014, Kawneer Company, Inc.

Metric (SI) conversion figures are included throughout these details for reference. Numbers in parentheses ( ) are millimeters unless otherwise noted.

The following metric (SI ) units are found in these details:

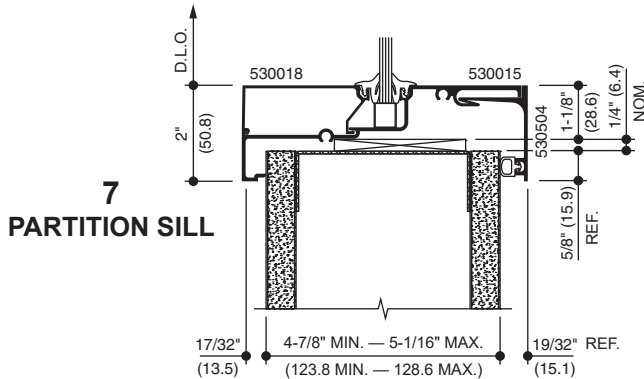
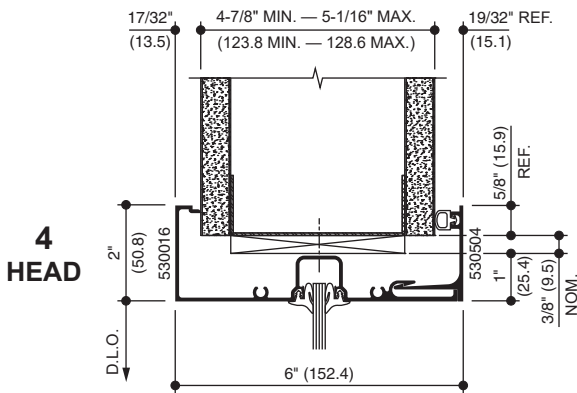
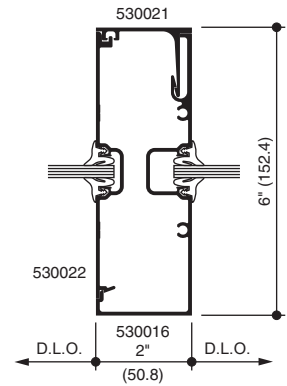
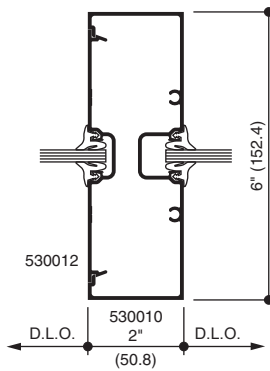
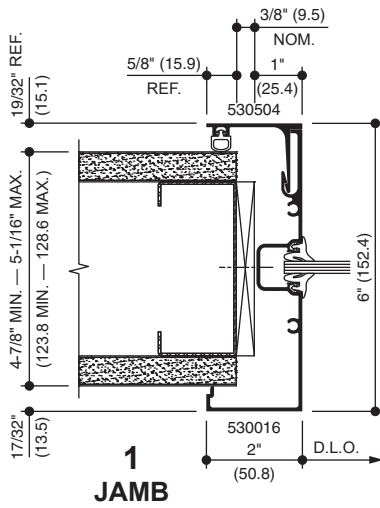
- m – meter
- cm – centimeter
- mm – millimeter
- s – second
- Pa – pascal
- MPa – megapascal

Additional information and CAD details are available at [www.kawneer.com](http://www.kawneer.com)



\* **Note:**  
530504 snap-in stop with gasket can be mitered at these corners.

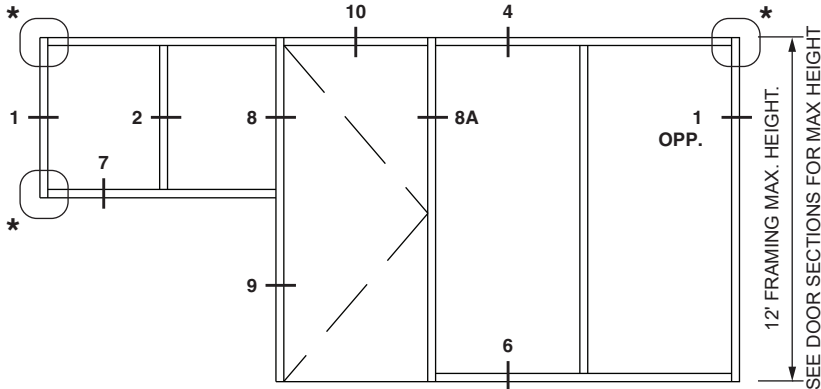
ELEVATION IS NUMBER KEYED TO DETAILS



Laws and building and safety codes governing the design and use of Kawneer products, such as glazed entrance, window, and curtain wall products, vary widely. Kawneer does not control the selection of product configurations, operating hardware, or glazing materials, and assumes no responsibility therefor.

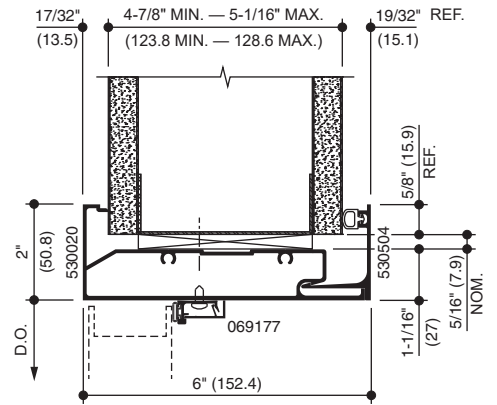
Kawneer reserves the right to change configuration without prior notice when deemed necessary for product improvement.  
© 2014, Kawneer Company, Inc.

Additional information and CAD details are available at [www.kawneer.com](http://www.kawneer.com)

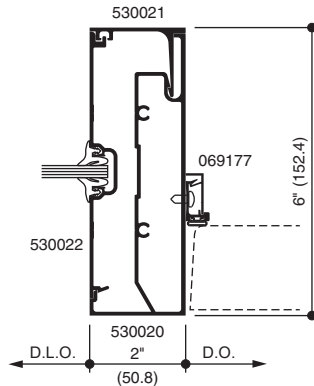


ELEVATIONS ARE NUMBER KEYED TO DETAILS

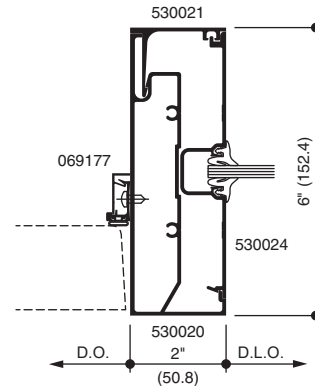
\* **Note:**  
530504 snap-in stop with gasket can be mitered at these corners.



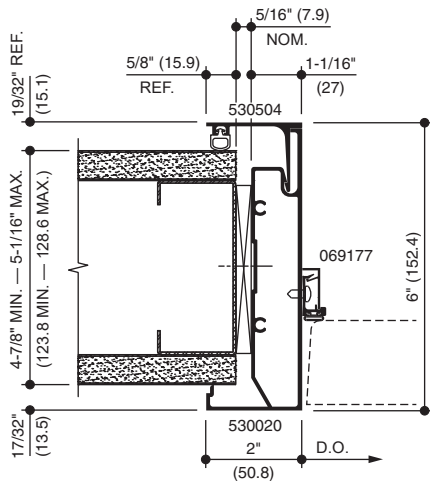
**10**  
HEAD AT DOOR



**8**  
DOOR JAMB



**8A**  
DOOR JAMB

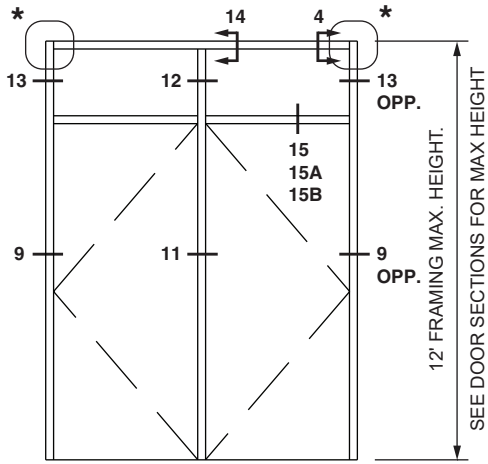


**9**  
DOOR JAMB

Laws and building and safety codes governing the design and use of Kawneer products, such as glazed entrance, window, and curtain wall products, vary widely. Kawneer does not control the selection of product configurations, operating hardware, or glazing materials, and assumes no responsibility therefor.

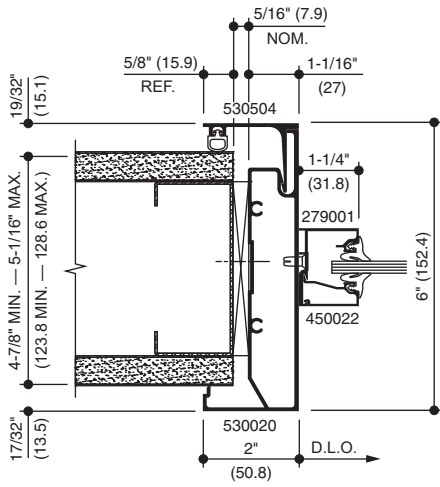
Kawneer reserves the right to change configuration without prior notice when deemed necessary for product improvement.  
© 2014, Kawneer Company, Inc.

Additional information and CAD details are available at [www.kawneer.com](http://www.kawneer.com)

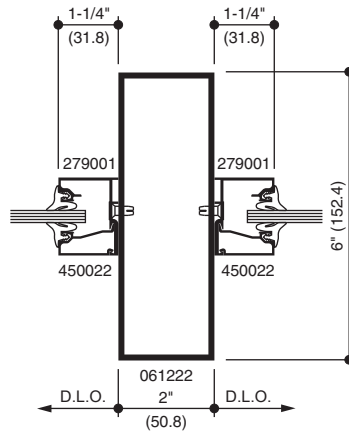


ELEVATION IS NUMBER KEYED TO DETAILS

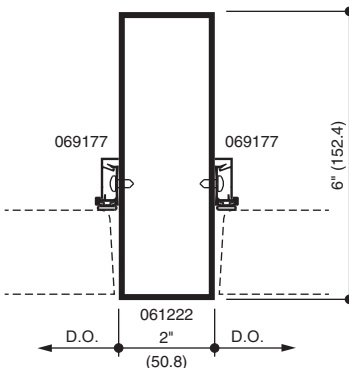
**\* Note:**  
530504 snap-in stop with gasket can be mitered at these corners.



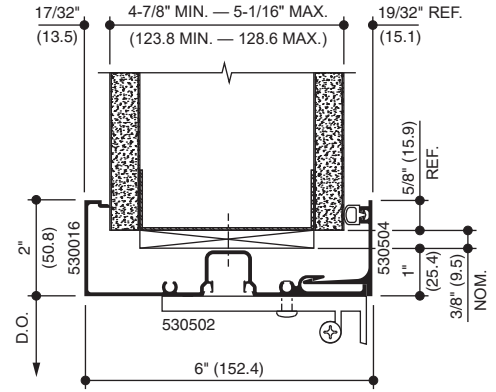
**13**  
TRANSOM JAMB



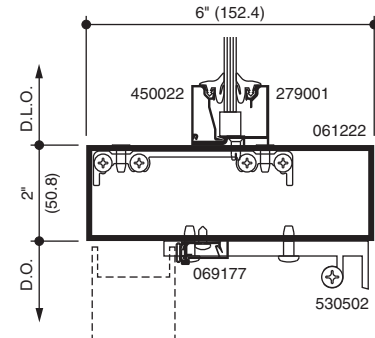
**12**  
COMMON STRIKE JAMB  
ABOVE TRANSOM



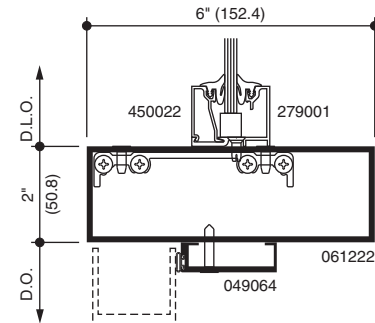
**11**  
COMMON STRIKE JAMB  
(OFFSET PIVOT ONLY)



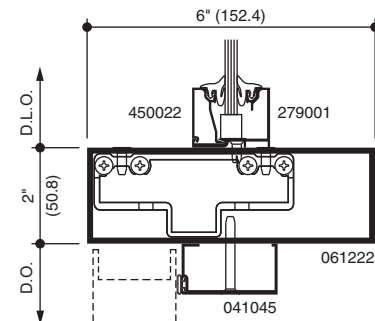
**14**  
HEAD / TRANSOM AT  
COMMON STRIKE JAMB



**15**  
TRANSOM BAR WITH C.O.C.  
OR STD. SURFACE CLOSER



**15A**  
ALTERNATE BAR WITH  
C.O.C. FOR L.C.N. CLOSER



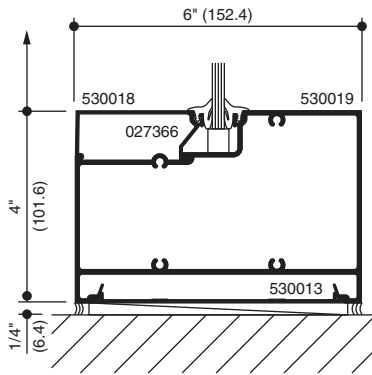
**15B**  
ALTERNATE TRANSOM BAR WITH  
C.O.C. FOR STD. KAWNEER CLOSER

Laws and building and safety codes governing the design and use of Kawneer products, such as glazed entrance, window, and curtain wall products, vary widely. Kawneer does not control the selection of product configurations, operating hardware, or glazing materials, and assumes no responsibility therefor.

Kawneer reserves the right to change configuration without prior notice when deemed necessary for product improvement.

© 2014, Kawneer Company, Inc.

Additional information and CAD details are available at [www.kawneer.com](http://www.kawneer.com)



**ALTERNATE HEIGHT SILL**

Laws and building and safety codes governing the design and use of Kawneer products, such as glazed entrance, window, and curtain wall products, vary widely. Kawneer does not control the selection of product configurations, operating hardware, or glazing materials, and assumes no responsibility therefor.

Kawneer reserves the right to change configuration without prior notice when deemed necessary for product improvement.  
© 2014, Kawneer Company, Inc.

Laws and building and safety codes governing the design and use of Kawneer products, such as glazed entrance, window, and curtain wall products, vary widely. Kawneer does not control the selection of product configurations, operating hardware, or glazing materials, and assumes no responsibility therefor.

Kawneer reserves the right to change configuration without prior notice when deemed necessary for product improvement.  
© 2014, Kawneer Company, Inc.