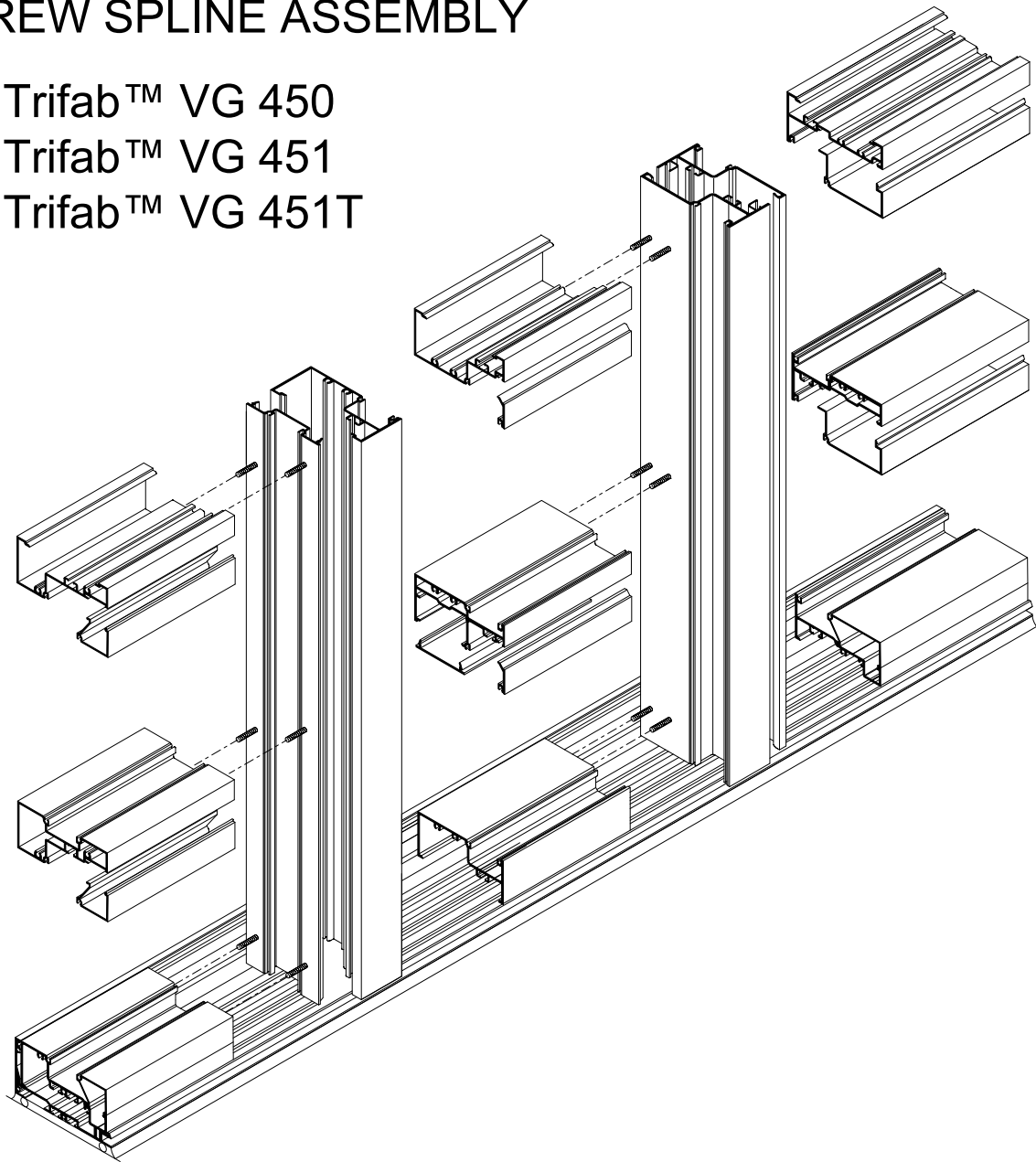


INSTALLATION

Trifab™ VG Framing System SCREW SPLINE ASSEMBLY

- Trifab™ VG 450
- Trifab™ VG 451
- Trifab™ VG 451T



INSTRUCTIONS

Laws and building and safety codes governing the design and use of glazed entrance, window, and curtain wall products vary widely. Kawneer does not control the selection of product configurations, operating hardware, or glazing materials, and assumes no responsibility therefor.

Kawneer reserves the right to change configuration without prior notice when deemed necessary for product improvement.

© Kawneer Company, Inc., 2009

Trifab™ VG SCREW SPLINE INSTALLATION INSTRUCTIONS

CONTENTS

These instructions provide the general fabrication, assembly, installation sequence and erection procedures for typical applications. They are intended to supplement the project shop drawings and/or published details.

SECTION	PAGE	
I	3 - 4	GENERAL NOTES <ul style="list-style-type: none"> • MATERIAL HANDLING, STORAGE & PROTECTION OF ALUMINUM • GENERAL INSTALLATION NOTES • SILICONE GLAZING NOTES
II	5 - 7	BASIC FRAMING DETAILS
III	8 - 10	Trifab™ VG 450 FRAME FABRICATION & ASSEMBLY
IV	11 - 15	Trifab™ VG 450 DOOR JAMB SIDELITE FABRICATION & ASSEMBLY
V	16 - 18	Trifab™ VG 451/451T FRAME FABRICATION & ASSEMBLY
VI	19 - 24	Trifab™ VG 451/451T DOOR JAMB SIDELITE FABRICATION & ASSEMBLY
VII	25 - 30	INSTALLATION
VIII	31	GLAZING ADAPTERS
IX	32 - 33	GLAZING
X	34 - 40	OPTIONAL COVERS
XI	41	EXPANSION MULLION
XII	41	STEEL REINFORCING
XIII	42 - 43	SIDELITE BASE

NOTE:

Fabrication, installation & glazing artwork depicts typical 1" front glazed members. All 1/4" infill and 1" front, back and multi-plane applications are similar unless otherwise noted. Outside glazing is typically shown unless otherwise noted.

Consult the KawneerDirect website for the latest updates to these instructions before beginning work on your project.

HANDLING, STORING, AND PROTECTION OF ALUMINUM

The material must be protected against damage. The following precautions are recommended to assure early acceptance of your products and workmanship.

- A. HANDLE CAREFULLY-** Do not drop from the truck. Stack with adequate separation so material will not rub together. Store off the ground. Protect against elements and other construction trades. **Work safely - always wear proper personal protective equipment. Wear had protection to prevent injury due to sharp edges of cut extrusions.**
- B. KEEP MATERIAL AWAY FROM WATER, MUD, AND SPRAY -** Prevent cement, plaster, or other materials from damaging the finish.
- C. PROTECT THE MATERIALS AFTER ERECTION -** Protect by wrapping with Kraft paper or by erecting Visqueen or canvas splatter screen. Cement, plaster, terrazzo, and other alkaline solutions and acid based materials used to clean masonry are very harmful to the finish and should be removed with water and mild soap IMMEDIATELY.

GENERAL INSTALLATION NOTES

The following practices are recommended for all installations:

- A. CHECK SHOP DRAWINGS, INSTALLATION INSTRUCTIONS and GLAZING INSTRUCTIONS** to become thoroughly familiar with the project. The SHOP DRAWINGS take precedence and include specific details for the project. The INSTALLATION INSTRUCTIONS are of a general nature and cover the most common conditions.
- B. All materials are to be INSTALLED PLUMB, LEVEL, and TRUE.**
- C. All work should start from bench marks and/or column lines as established by the ARCHITECTURAL DRAWINGS and the GENERAL CONTRACTOR.** Check mullion spacing from ends of masonry opening to prevent dimensional build-up of day light opening.
- D. Make certain that the construction and openings which will receive your materials are in accordance with the contract documents.** If not, notify the GENERAL CONTRACTOR IN WRITING and resolve the differences before proceeding with your work.
- E. Isolate all aluminum to be placed directly in contact with uncured masonry or incompatible materials with a heavy coat of zinc chromate or bituminous paint.**
- F. Check all materials on arrival for quantity and be sure you have everything required to begin installation.**
- G. Sealants must be compatible with all materials with which they have contact, including other sealant surfaces.** Consult with sealant manufacturer for recommendations relative to joint size, shelf life, compatibility, priming, tooling, adhesion, etc.
- H. FASTENING -** "Fastening" means any method of securing one part to another or to adjacent materials. These instructions specify only those fasteners used within the system. Due to varying perimeter conditions and job performance requirements, perimeter anchor fasteners are not specified in these instructions. For perimeter anchor fastening, refer to the Shop Drawings or Engineering Calculations.
- I. CHECK OPENINGS -** Make certain that the opening which will receive your materials is in accordance with the contract documents. If not, notify the General Contractor in writing and resolve differences before proceeding with your work.
- J. BUILDING CODE -** Building and glazing codes governing the design and use of products vary widely. Kawneer does not control the selection of product configurations, operating hardware, or glazing materials, and assumes no responsibility for these design considerations. It is the responsibility of the owner, specifier, architect, general contractor and the installer to make these selections in strict conformance with all applicable codes.
- K. EXPANSION JOINTS -** Expansion joints and perimeter seals shown in these instructions and in the shop drawings are shown at a normal size. Actual dimensions may vary due to perimeter conditions and/or difference in metal temperature between the time of fabrication and time of installation, For example, a 12 foot unrestrained length of aluminum extrusion can expand or contract 3/32" over a 50 degree F temperature change. Any movement potential should be accounted for at the time of installation.
- L. FIELD TESTING -** It is recommended that a Water Hose Test be conducted once a sufficient portion of the frame is installed, glazed and caulked to ensure proper installation. the Water Hose Test shall be conducted in accordance with AAMA 501.2. In addition, larger projects should have periodic Water Hose Tests as additional precautionary measures.
- M. GASKET INVENTORY ROTATION -** These high quality rubber extrusions are coated with silicone lubricant, Silicone will dry over time leaving a white "chalky" residue. Please rotate your stock "FIRST IN - FIRST OUT". If the rubber becomes dry, you may use water ONE TIME to reconstitute the silicone, after that, use a soap water solution.

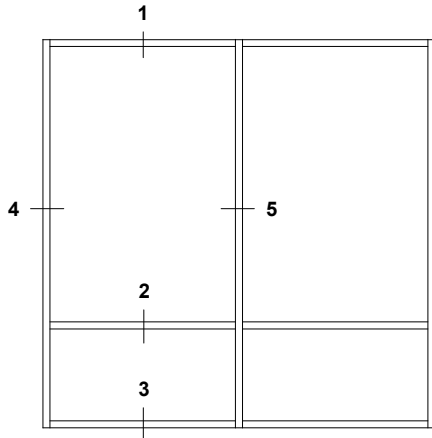
Laws and building and safety codes governing the design and use of glazed entrance, window, and curtain wall products vary widely. Kawneer does not control the selection of product configurations, operating hardware, or glazing materials, and assumes no responsibility therefor.

Kawneer reserves the right to change configuration without prior notice when deemed necessary for product improvement.

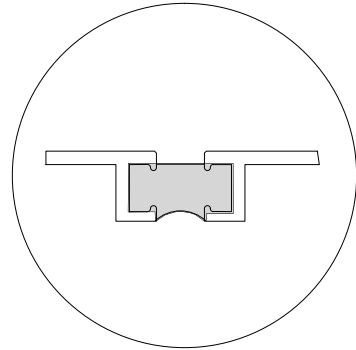
© Kawneer Company, Inc., 2009

The Screw Spline System is a fabrication and erection method that permits the pre-assembly of single units in the shop or at the job site. These units are then erected by mating the male mullion half of one unit with the female half of the unit already installed.

INSIDE GLAZED DETAILS SHOWN (Stops Down)

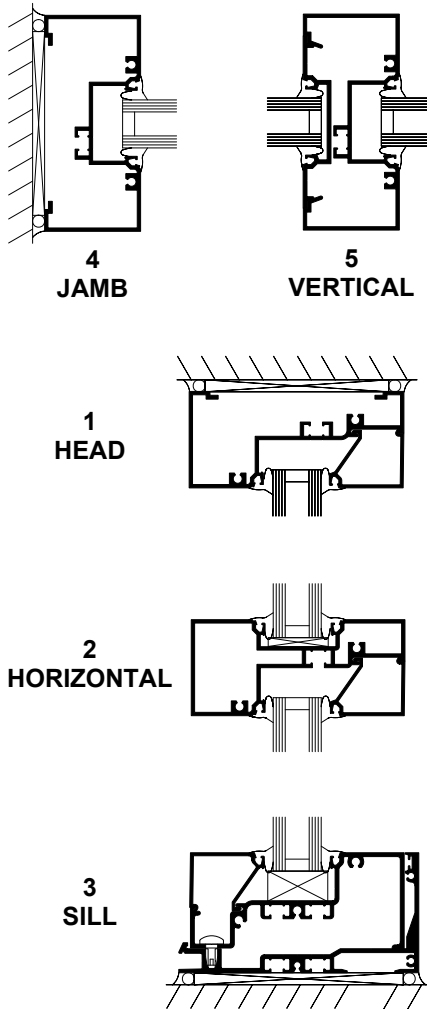


ELEVATION IS NUMBERED KEYED TO DETAILS

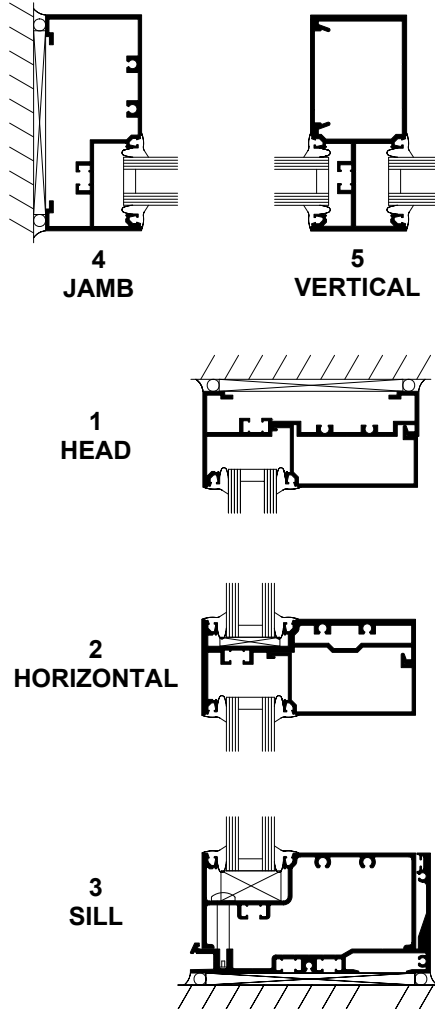


Trifab™ VG 451T
THERMALLY BROKEN MEMBERS

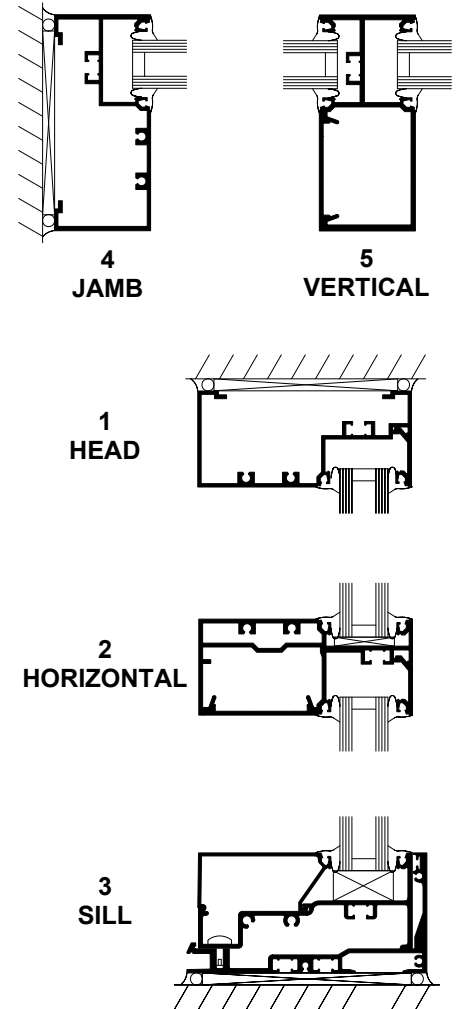
CENTER



FRONT



BACK

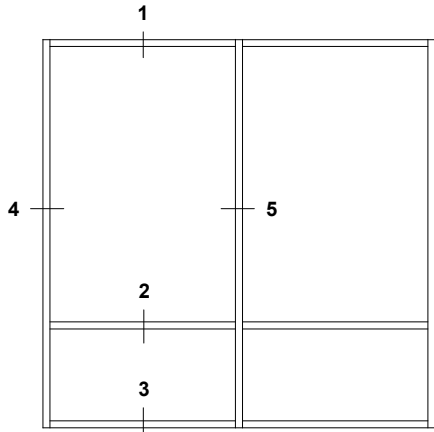


Laws and building and safety codes governing the design and use of glazed entrance, window, and curtain wall products vary widely. Kawneer does not control the selection of product configurations, operating hardware, or glazing materials, and assumes no responsibility therefor.

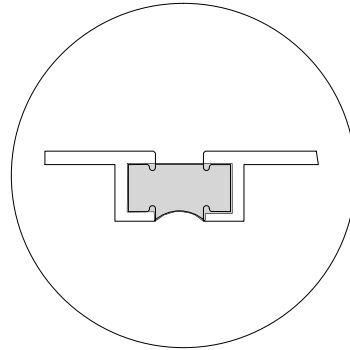
Kawneer reserves the right to change configuration without prior notice when deemed necessary for product improvement.

© Kawneer Company, Inc., 2009

OUTSIDE GLAZED DETAILS SHOWN (Stops Down)

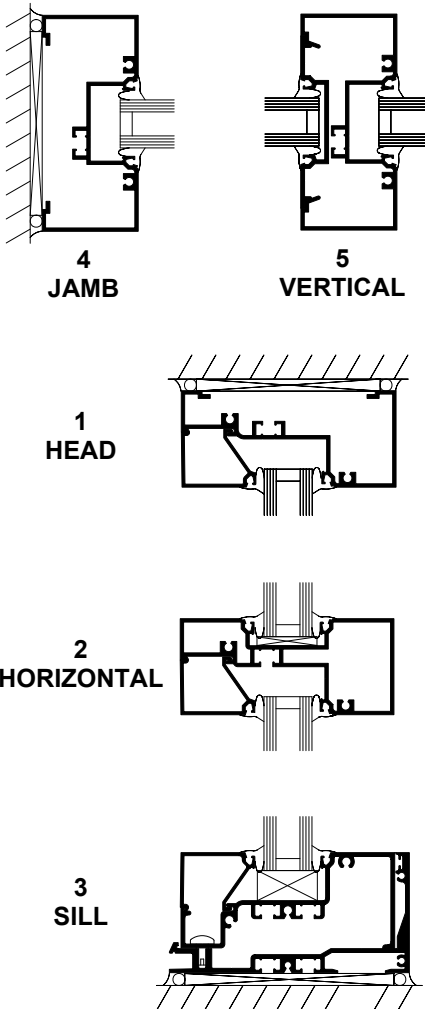


ELEVATION IS NUMBERED KEYED TO DETAILS

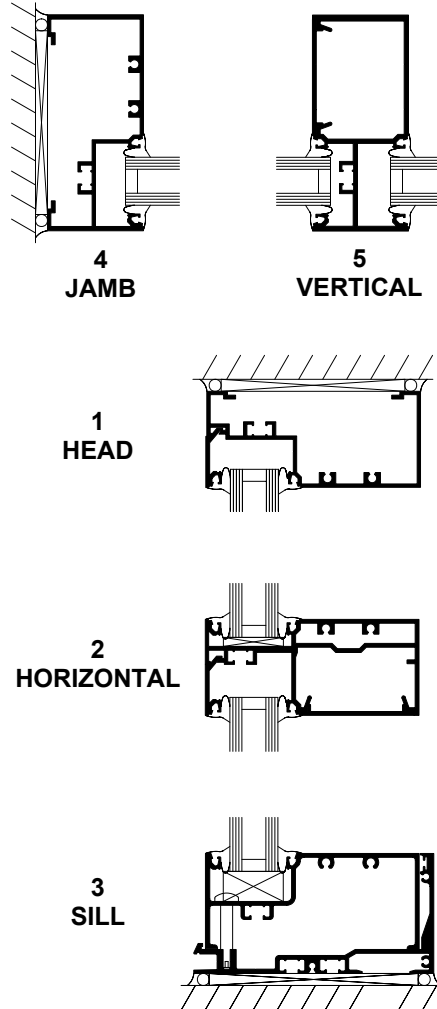


Trifab™ VG 451T
THERMALLY BROKEN MEMBERS

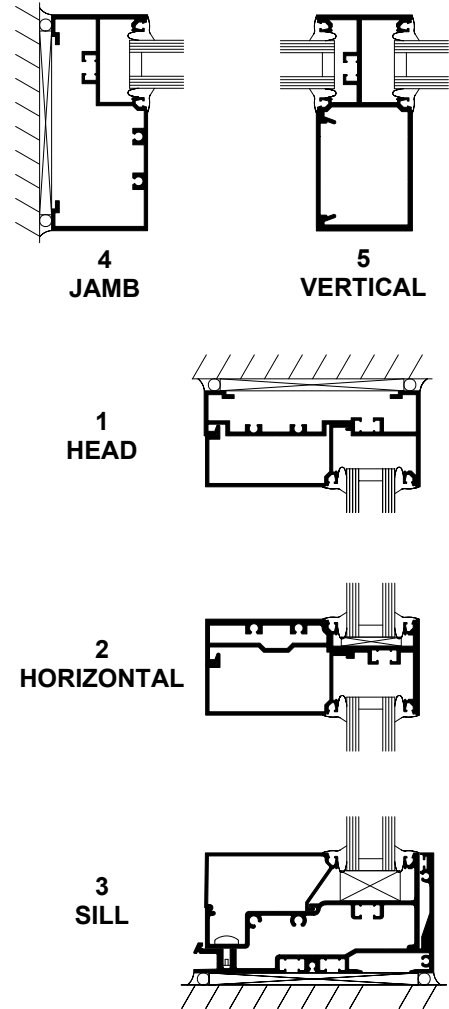
CENTER



FRONT



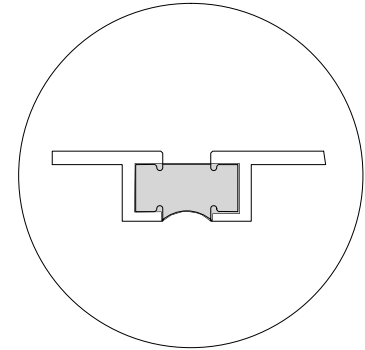
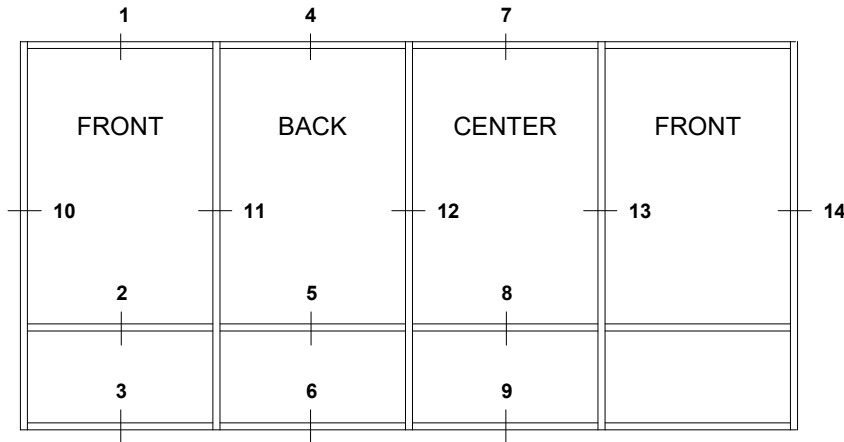
BACK



Laws and building and safety codes governing the design and use of glazed entrance, window, and curtain wall products vary widely. Kawneer does not control the selection of product configurations, operating hardware, or glazing materials, and assumes no responsibility therefor.

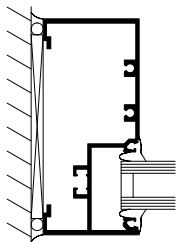
Kawneer reserves the right to change configuration without prior notice when deemed necessary for product improvement.
© Kawneer Company, Inc., 2009

OUTSIDE GLAZED DETAILS SHOWN (Stops Down)

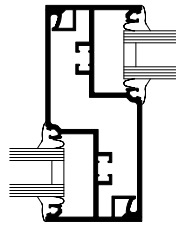


Trifab™ VG 451T
THERMALLY BROKEN MEMBERS

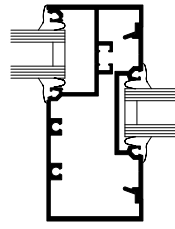
MULTI-PLANE



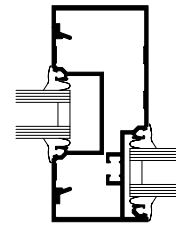
10
JAMB



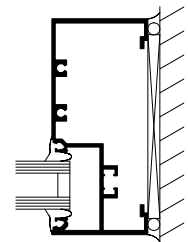
11
VERTICAL



12
JAMB



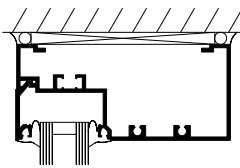
13
VERTICAL



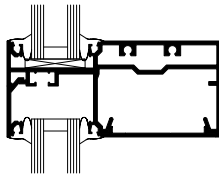
14
JAMB

FRONT

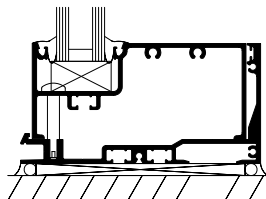
1
HEAD



2
HORIZONTAL

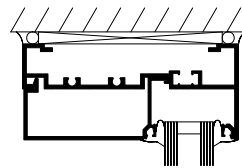


3
SILL

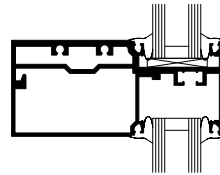


BACK

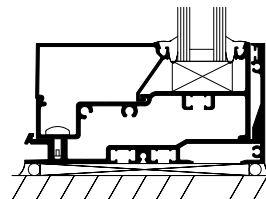
4
HEAD



5
HORIZONTAL

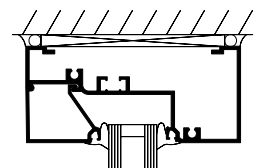


6
SILL

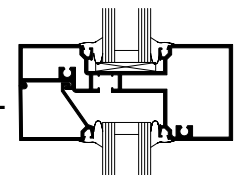


CENTER

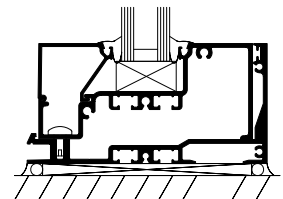
7
HEAD



8
HORIZONTAL



9
SILL



Laws and building and safety codes governing the design and use of glazed entrance, window, and curtain wall products vary widely. Kawneer does not control the selection of product configurations, operating hardware, or glazing materials, and assumes no responsibility therefor.

Kawneer reserves the right to change configuration without prior notice when deemed necessary for product improvement.

© Kawneer Company, Inc., 2009

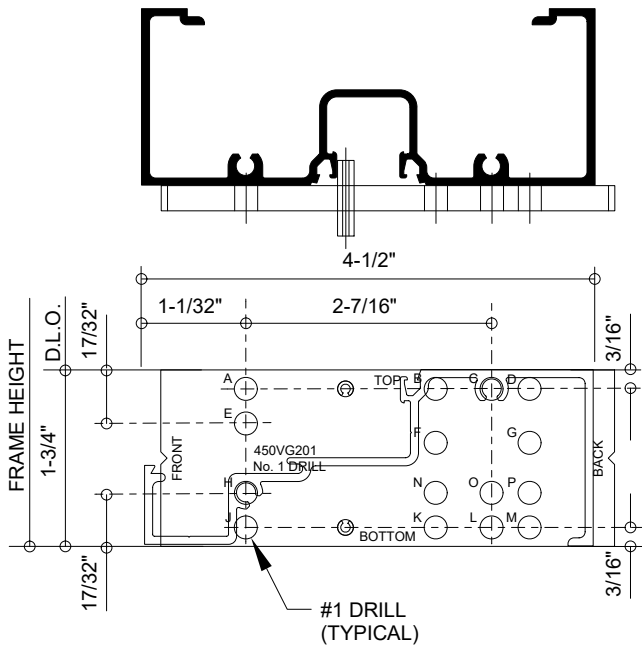
SCREW SPLINE PREPS FOR CENTER OPTION

STEP A: Measure the opening to determine length of vertical and horizontal framing members. For all units that require sill flashing, allow 1/2" when measuring vertical lengths. Allow 3/8" min. clearance at the head, sill, and jamb to facilitate installation and provide space for caulking. If job conditions are uncertain, or masonry openings are irregular allow extra clearance to accommodate construction tolerance.

STEP B: Cut vertical members to required length. At desired horizontal locations drill the proper holes in the vertical member for attachment of the spline screws, as shown below.

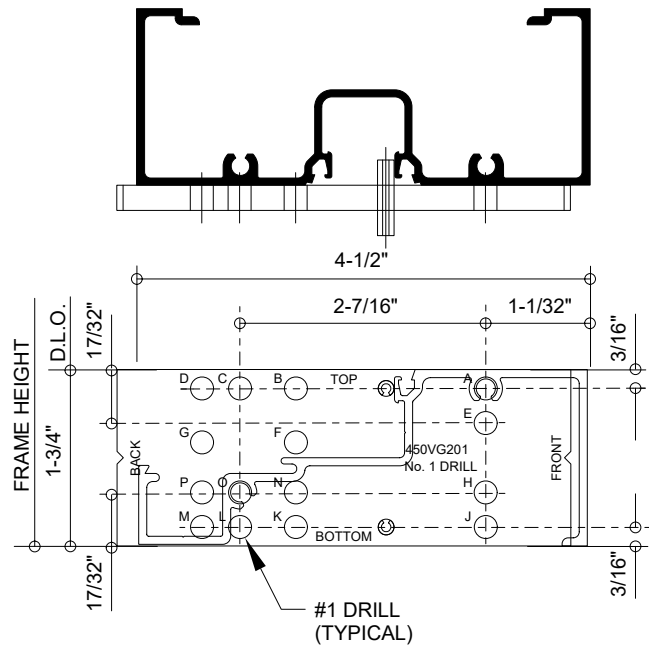
Trifab™ VG 450 (CENTER OPTION)

PLACE JIG INTO MULLION AS SHOWN BELOW



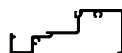


Trifab™ VG 450 (CENTER OPTION)



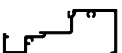
PLACE JIG INTO MULLION AS SHOWN BELOW





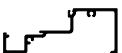
OUTSIDE GLAZED (STOPS DOWN)

-  HEAD PREP = HOLES (E, L)
-  HORIZONTAL PREP = HOLES (E, L)
-  SILL PREP = HOLES (C, H)

OUTSIDE GLAZED (STOPS UP)

-  HEAD PREP = HOLES (J, L)
-  HORIZONTAL PREP = HOLES (C, H)
-  SILL PREP = HOLES (C, H)

INSIDE GLAZED

-  HEAD PREP = HOLES (E, L)
-  HORIZONTAL PREP = HOLES (E, L)
-  SILL PREP = HOLES (A, O)

Laws and building and safety codes governing the design and use of glazed entrance, window, and curtain wall products vary widely. Kawneer does not control the selection of product configurations, operating hardware, or glazing materials, and assumes no responsibility therefor.

Kawneer reserves the right to change configuration without prior notice when deemed necessary for product improvement.
© Kawneer Company, Inc., 2009

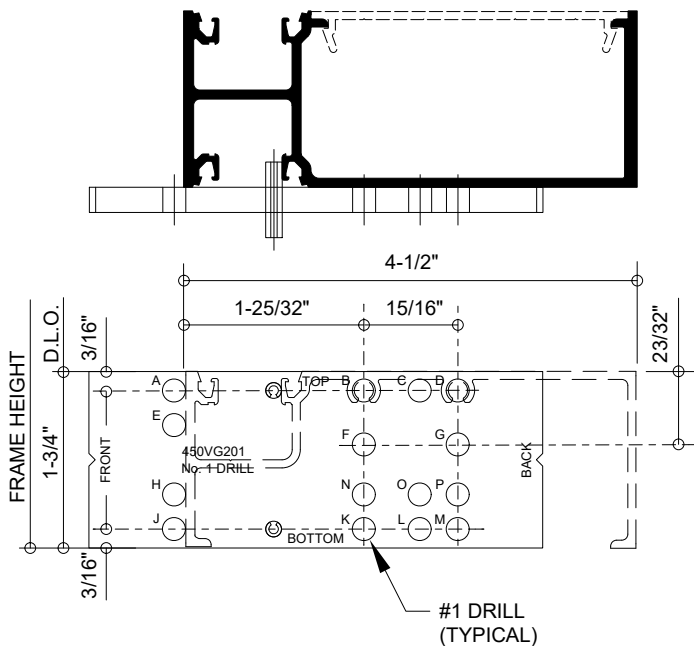
SCREW SPLINE PREPS FOR FRONT OR BACK OPTION

STEP A: Measure the opening to determine length of vertical and horizontal framing members. For all units that require sill flashing, allow 1/2" when measuring vertical lengths. Allow 3/8" min. clearance at the head, sill, and jamb to facilitate installation and provide space for caulking. If job conditions are uncertain, or masonry openings are irregular allow extra clearance to accommodate construction tolerance.

STEP B: Cut vertical members to required length. At desired horizontal locations drill the proper holes in the vertical member for attachment of the spline screws, as shown below.

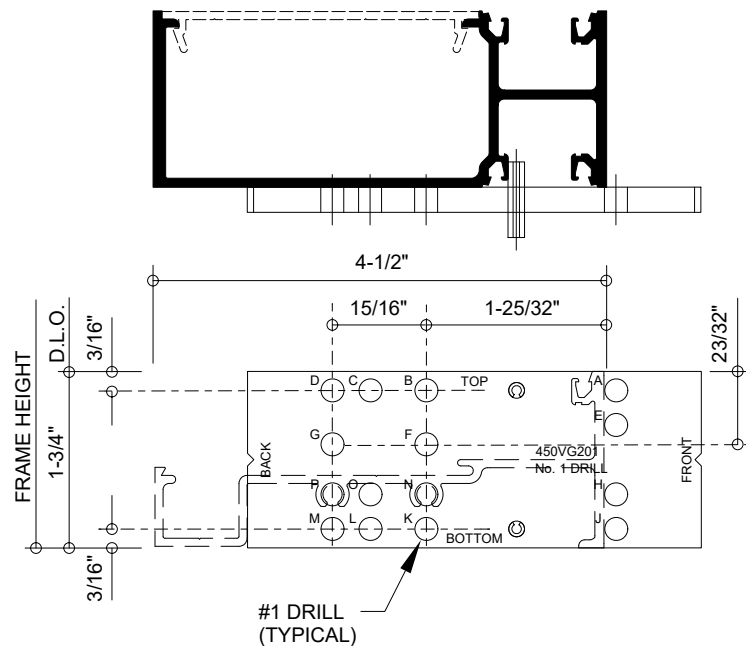
Trifab™ VG 450 (FRONT OPTION)

PLACE JIG INTO MULLION AS SHOWN BELOW



Trifab™ VG 450 (BACK OPTION)

PLACE JIG INTO MULLION AS SHOWN BELOW



OUTSIDE GLAZED

- HEAD PREP = HOLES (K, M)
- HORIZONTAL PREP = HOLES (B, D)
- SILL PREP = HOLES (B, D)

INSIDE GLAZED

- HEAD PREP = HOLES (F, G)
- HORIZONTAL PREP = HOLES (B, D)
- SILL PREP = HOLES (B, D)

OUTSIDE GLAZED

- HEAD PREP = HOLES (F, G)
- HORIZONTAL PREP = HOLES (B, D)
- SILL PREP = HOLES (N, P)

INSIDE GLAZED

- HEAD PREP = HOLES (K, M)
- HORIZONTAL PREP = HOLES (B, D)
- SILL PREP = HOLES (N, P)

Screw spline preps for mullion fillers may be completed by using a 2" piece of mullion to support drill jig or by locating the horizontal at the vertical dimensions shown above, and drilling at the "V" groves in the extrusions.

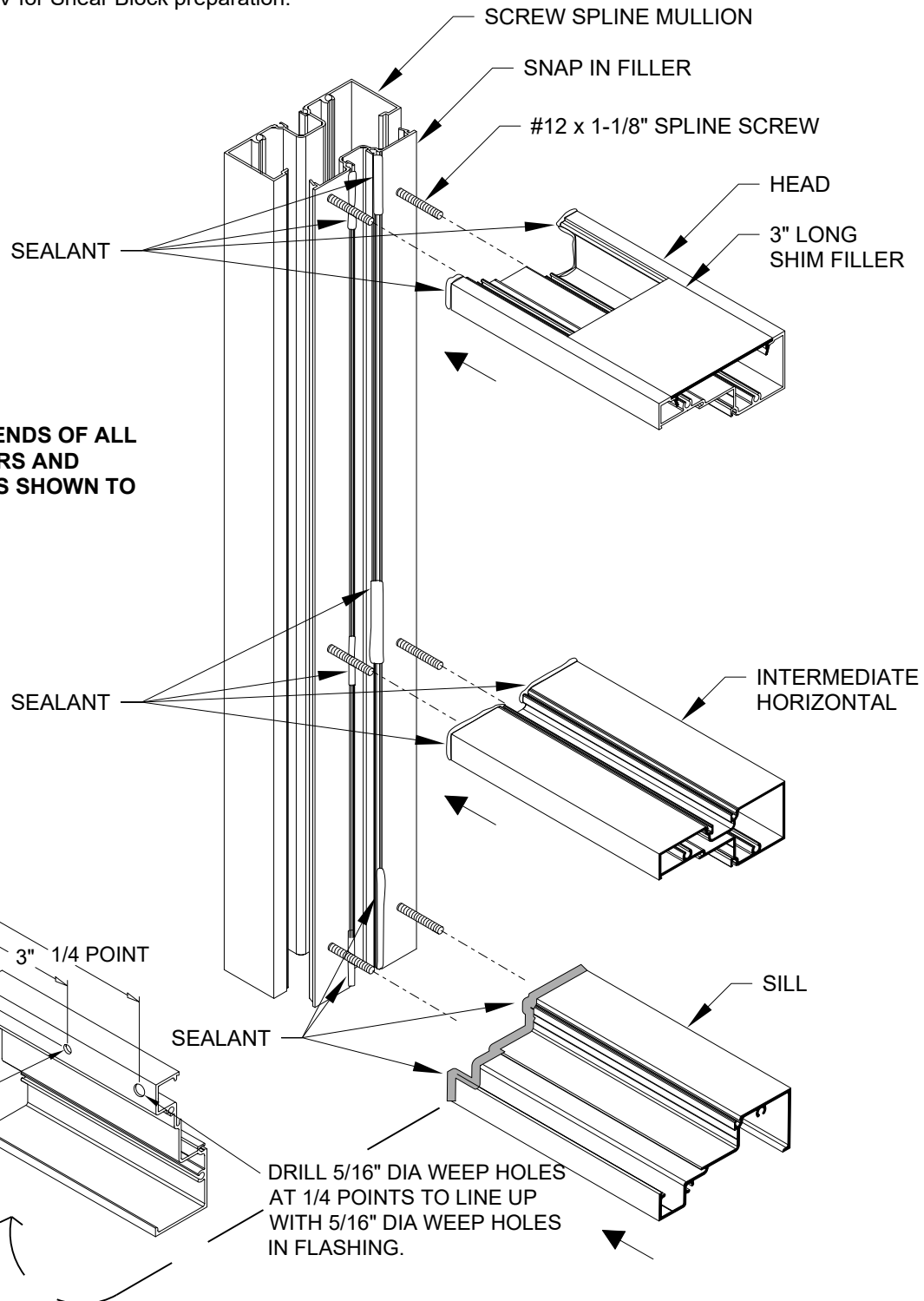
SCREW SPLINE ASSEMBLY

STEP A: Cut horizontals to length (Daylight Opening) and apply sealant to the ends ensuring a good seal to the vertical member. (Glass stops should be D.L.O. - 1/6")

STEP B: Assemble the units using two 028856 (#12 x 1-1/8" P.H. Screws) at each joint as shown below. Be sure that each unit is fabricated with a male and female mullion half.

NOTE: Every unit must have at least one deep vertical pocket.

STEP C: When an entrance is required, Shear Block joinery must be used to attach horizontals to the immediate door frame. The other side of the sidelite will be fabricated for screw spline joinery as usual. See Section IV for Shear Block preparation.



NOTE:
APPLY SEALANT TO ENDS OF ALL HORIZONTAL MEMBERS AND GLAZING REGLETS AS SHOWN TO ENSURE GOOD SEAL.

Laws and building and safety codes governing the design and use of glazed entrance, window, and curtain wall products vary widely. Kawneer does not control the selection of product configurations, operating hardware, or glazing materials, and assumes no responsibility therefor.

Kawneer reserves the right to change configuration without prior notice when deemed necessary for product improvement.

© Kawneer Company, Inc., 2009

SHEAR BLOCK PREPS FOR CENTER OPTION

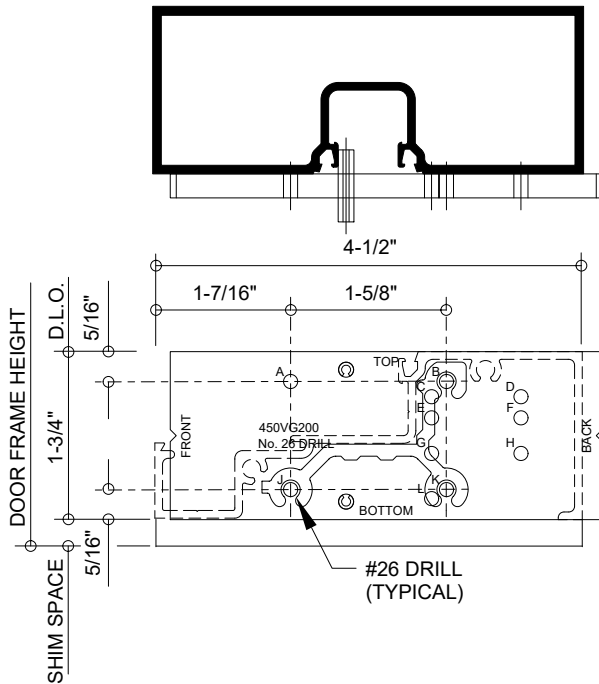
STEP A: At desired horizontal locations drill the proper holes in the door jambs for attachment of the shear blocks, as shown below.

IMPORTANT NOTE: Door jambs run through to perimeter at sill. **Locate sill to accommodate sill flashing** and shim space at sill.

STEP B: Attach shear blocks to door jambs using #028400 (#10 X 1-19/32" P.H.) screws as required.

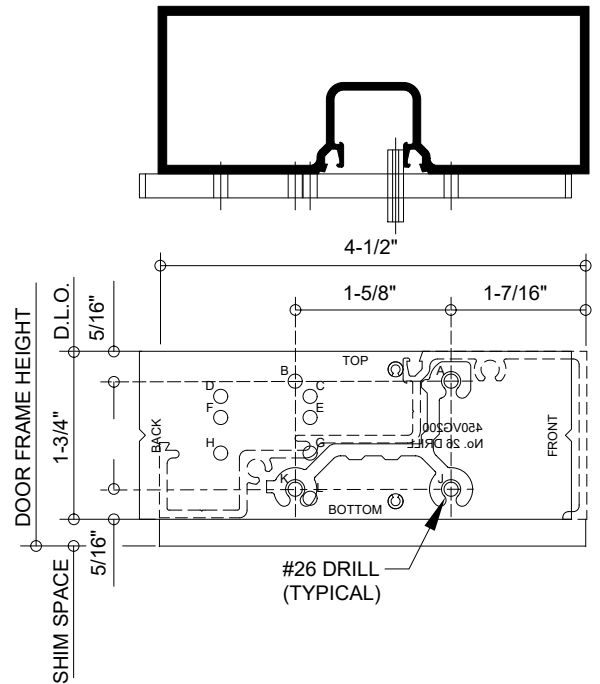
Trifab™ VG 450 (CENTER OPTION)

PLACE JIG INTO MULLION AS SHOWN BELOW



Trifab™ VG 450 (CENTER OPTION)

PLACE JIG INTO MULLION AS SHOWN BELOW



OUTSIDE GLAZED (STOPS DOWN)

- HEAD PREP = HOLES (A, B, K)
- HORIZONTAL PREP = HOLES (A, B, K)
- SILL PREP = HOLES (B, J, K)

INSIDE GLAZED

- HEAD PREP = HOLES (B, J, K)
- HORIZONTAL PREP = HOLES (B, J, K)
- SILL PREP = HOLES (B, J, K)

INSIDE GLAZED

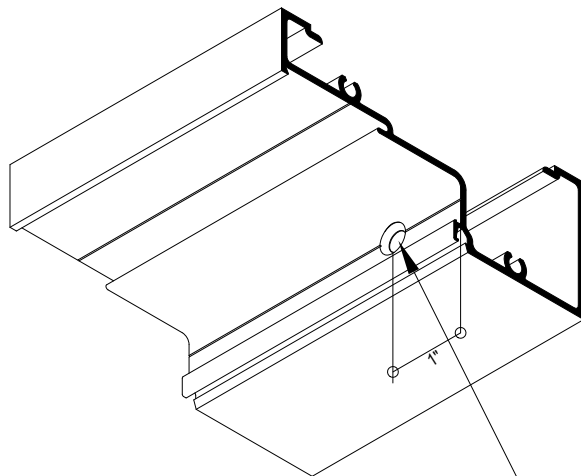
- HEAD PREP = HOLES (A, B, K)
- HORIZONTAL PREP = HOLES (A, B, K)
- SILL PREP = HOLES (A, J, K)

SHEAR BLOCK PREPS FOR CENTER OPTION

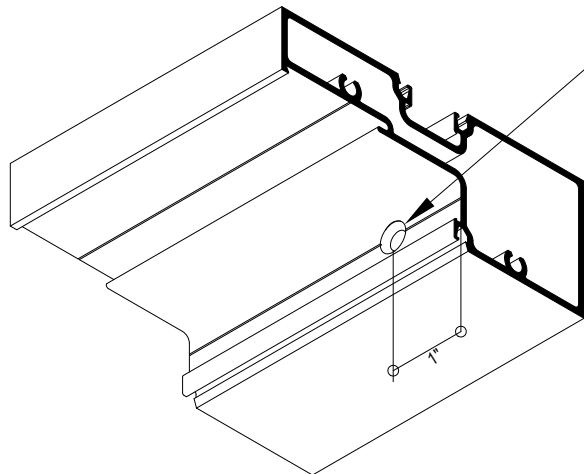
STEP C: Cut horizontals to length = Daylight Opening, (glass stops should be D.L.O. - 1/16").

STEP D: Fabricate head, sill, and intermediate horizontals by drilling and countersinking for #10 F.H. screw.

HEAD

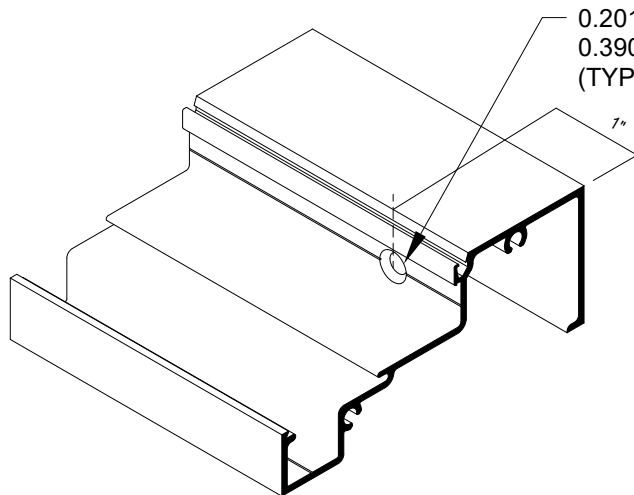


HORIZONTAL



0.201" DIA. HOLE (#7 DRILL)
0.390" DIA. x 82° COUNTERSINK
(TYP.)

SILL



0.201" DIA. HOLE (#7 DRILL)
0.390" DIA. x 82° COUNTERSINK
(TYP.)

Laws and building and safety codes governing the design and use of glazed entrance, window, and curtain wall products vary widely. Kawneer does not control the selection of product configurations, operating hardware, or glazing materials, and assumes no responsibility therefor.

Kawneer reserves the right to change configuration without prior notice when deemed necessary for product improvement.

© Kawneer Company, Inc., 2009

SHEAR BLOCK PREPS FOR FRONT OR BACK OPTION

STEP A: At desired horizontal locations drill the proper holes in the door jambs for attachment of the shear blocks, as shown below.

IMPORTANT NOTE: Door jambs run through to perimeter at sill. **Locate sill to accommodate sill flashing** and shim space at sill.

STEP B: Attach shear blocks to door jambs using #028400 (#10 X 1-19/32" P.H.) screws as required.

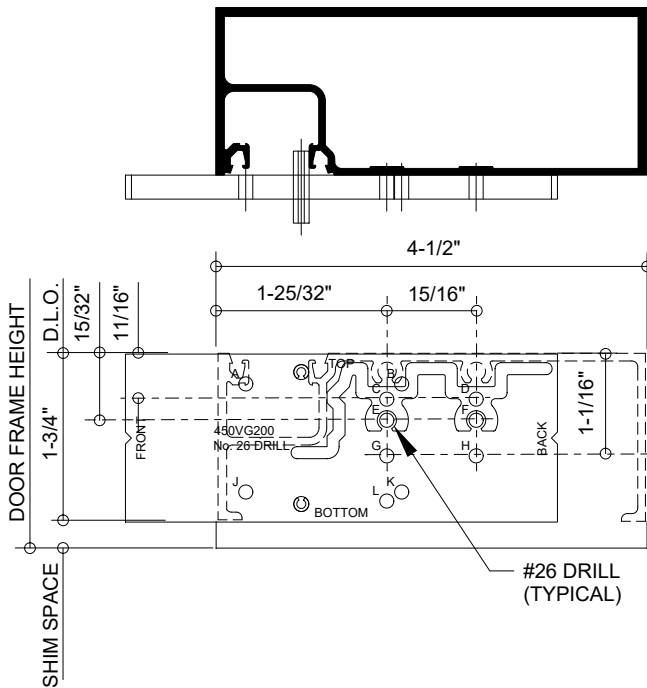
Laws and building and safety codes governing the design and use of glazed entrance, window, and curtain wall products vary widely. Kawneer does not control the selection of product configurations, operating hardware, or glazing materials, and assumes no responsibility therefor.

Kawneer reserves the right to change configuration without prior notice when deemed necessary for product improvement.

© Kawneer Company, Inc., 2009

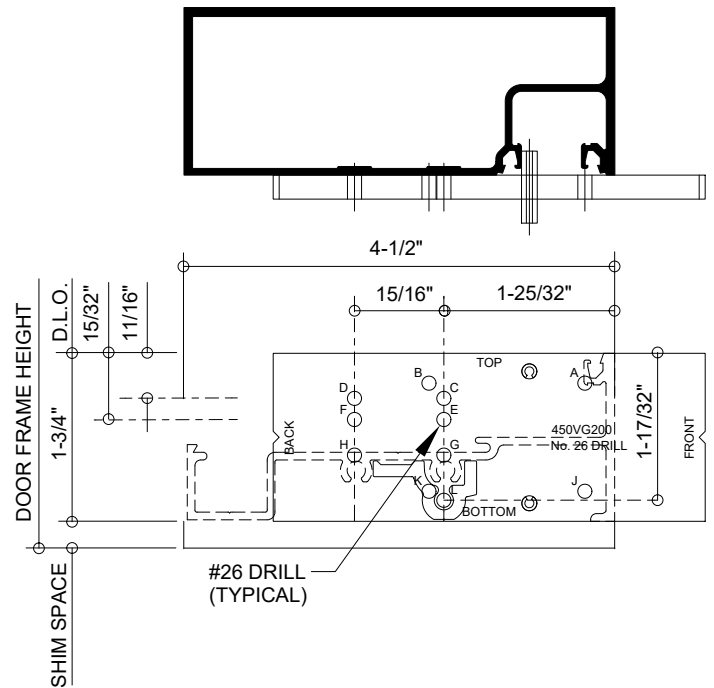
Trifab™ VG 450 (FRONT OPTION)

PLACE JIG INTO MULLION AS SHOWN BELOW



Trifab™ VG 450 (BACK OPTION)

PLACE JIG INTO MULLION AS SHOWN BELOW



OUTSIDE GLAZED

- HEAD PREP = HOLES (G, H)
- HORIZONTAL PREP = HOLES (E, F)
- SILL PREP = HOLES (E, F)

INSIDE GLAZED

- HEAD PREP = HOLES (C, D)
- HORIZONTAL PREP = HOLES (E, F)
- SILL PREP = HOLES (E, F)

OUTSIDE GLAZED

- HEAD PREP = HOLES (C, D)
- HORIZONTAL PREP = HOLES (E, F)
- SILL PREP = HOLES (L)

INSIDE GLAZED

- HEAD PREP = HOLES (G, H)
- HORIZONTAL PREP = HOLES (E, F)
- SILL PREP = HOLES (L)

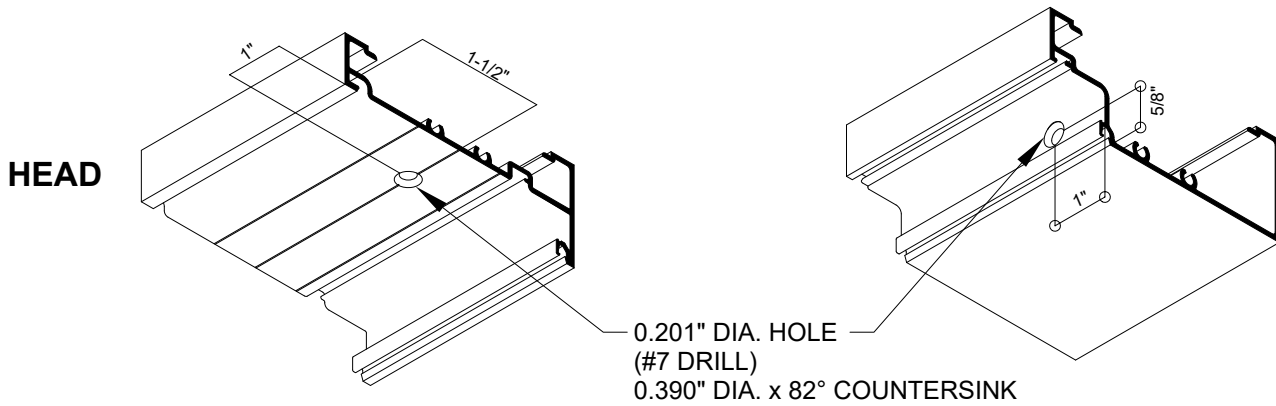
SHEAR BLOCK PREPS FOR FRONT OR BACK OPTIONS

STEP C: Cut horizontals to length = Daylight Opening, (glass stops should be D.L.O. - 1/16").

STEP D: Fabricate head, sill by drilling and countersinking for #10 F.H. screw.

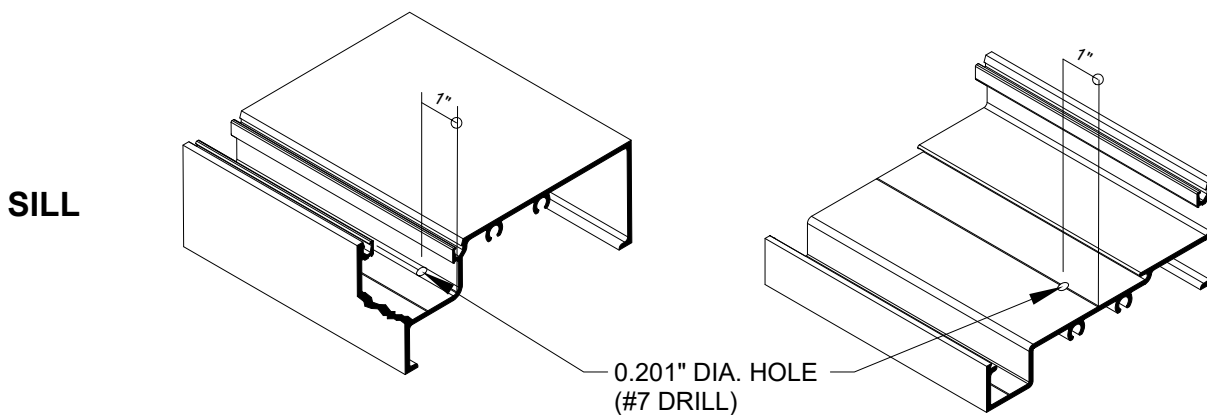
**FRONT - INSIDE GLAZED
OR
BACK - OUTSIDE GLAZED**

**FRONT - OUTSIDE GLAZED
OR
BACK - INSIDE GLAZED**



**FRONT
INSIDE OR OUTSIDE GLAZED**

**BACK
INSIDE OR OUTSIDE GLAZED**



Laws and building and safety codes governing the design and use of glazed entrance, window, and curtain wall products vary widely. Kawneer does not control the selection of product configurations, operating hardware, or glazing materials, and assumes no responsibility therefor.

Kawneer reserves the right to change configuration without prior notice when deemed necessary for product improvement.
© Kawneer Company, Inc., 2009

STEP A: FOR CENTER OPTION INTERMEDIATE HORIZONTALS

Hold fabricated horizontal member in place over shear block and tight against vertical member. Then match drill hole in shear block with #26 (.147) slightly offset to **Vertical Mullion Side** of countersunk hole in the horizontal so as to pull the joint tight when assembled as shown below. (See Figure #1)

NOTE: FOR FRONT OR BACK INTERMEDIATE HORIZONTALS

Hold fabricated horizontal member in place over shear block and tight against vertical member. Then match drill hole in shear block with #26 (.147) slightly offset to **D.L.O. Side** of hole in the shear block so as to pull the joint tight when assembled as shown below. (See Figure #2)

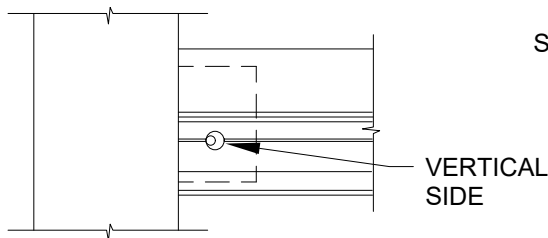
STEP B: Apply sealant to the ends of all horizontal members, shear blocks and into reglets as shown below.

STEP C: Attach horizontal members to shear blocks with fasteners provided in shear block packages.

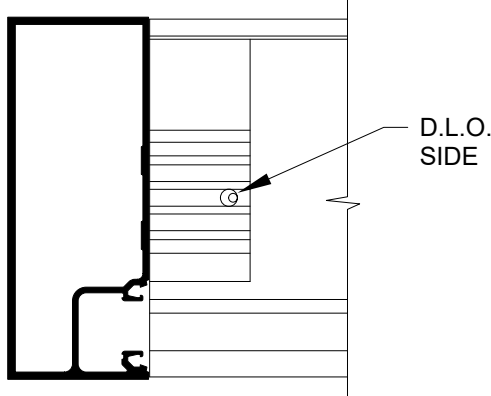
STEP D: Continue procedure above until entire frame is assembled.

STEP E: Install flat fillers into head and jamb at perimeter anchor locations. Crimp material to prevent filler plate from sliding. Perimeter anchors should be located within 6" on each side of vertical mullions and 24" O.C. between vertical mullions.

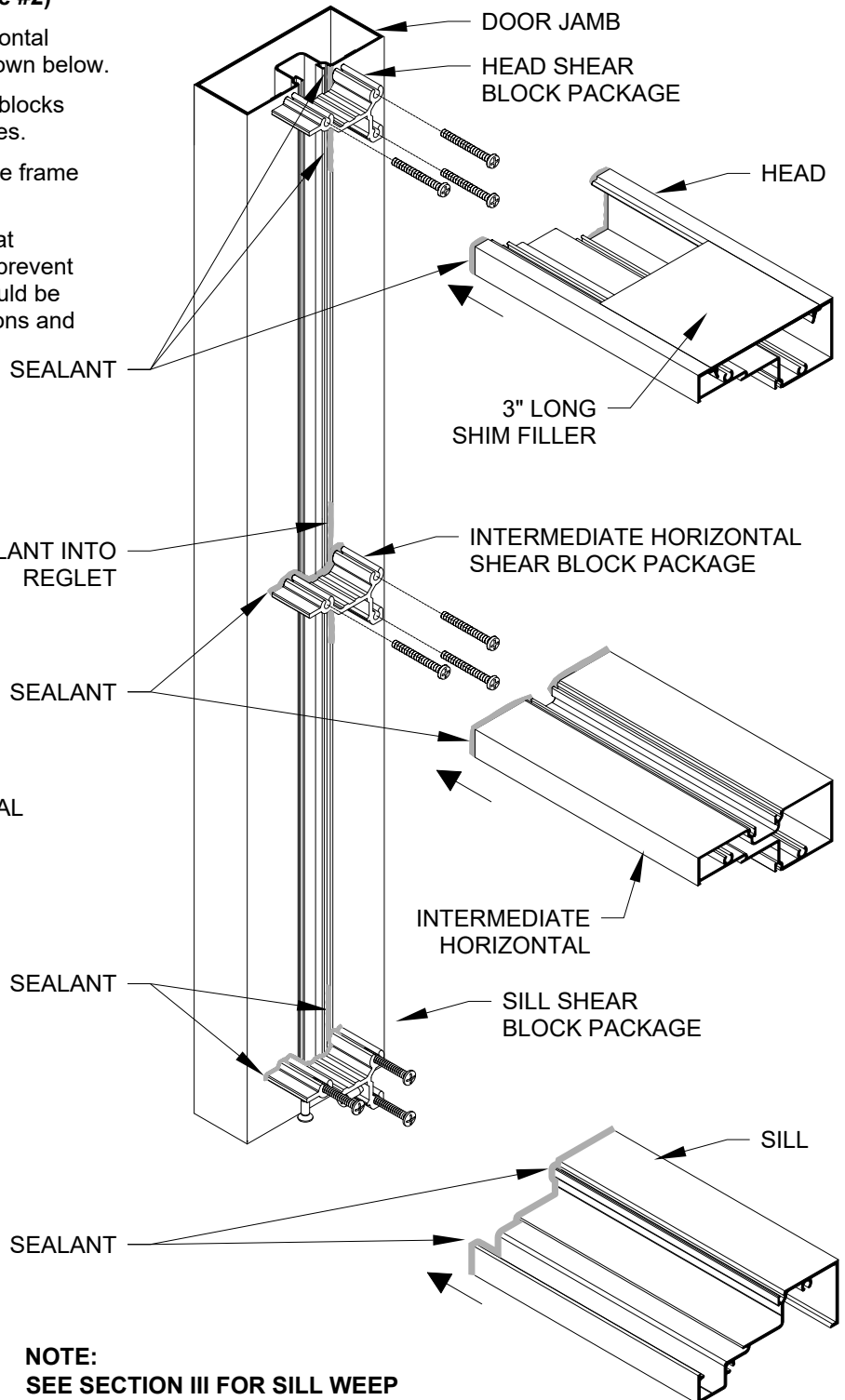
NOTE:
IT IS IMPORTANT THAT THE INSTALLER APPLY SEALANT TO SHEAR BLOCKS, ENDS OF ALL HORIZONTAL MEMBERS AND GLAZING REGLETS AS SHOWN TO ENSURE GOOD SEAL.



**FIGURE #1
FOR CENTER OPTION
INTERMEDIATE HORIZONTALS**



**FIGURE #2
FOR FRONT OR BACK OPTION
INTERMEDIATE HORIZONTALS**



NOTE:
SEE SECTION III FOR SILL WEEP AND ANCHOR HOLES PREP.

Laws and building and safety codes governing the design and use of glazed entrance, window, and curtain wall products vary widely. Kawneer does not control the selection of product configurations, operating hardware, or glazing materials, and assumes no responsibility therefor.

Kawneer reserves the right to change configuration without prior notice when deemed necessary for product improvement.

© Kawneer Company, Inc., 2009

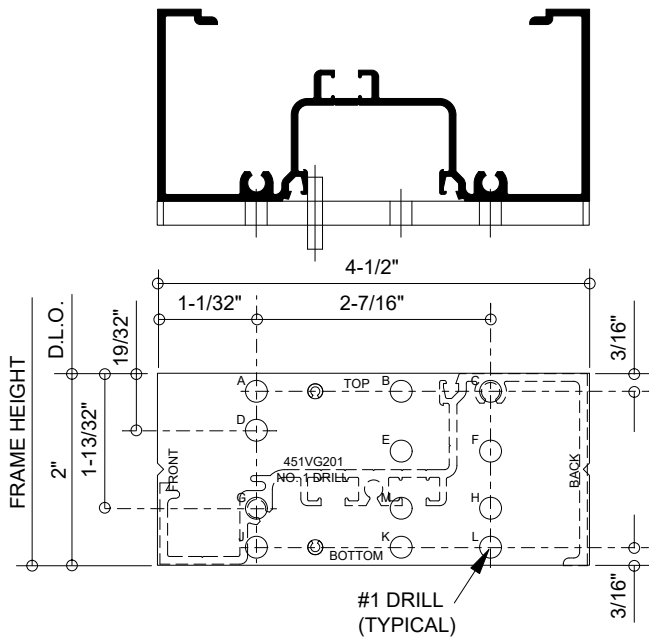
SCREW SPLINE PREPS FOR CENTER OPTION

STEP A: Measure the opening to determine length of vertical and horizontal framing members. For all units that require sill flashing, allow 1/2" for flashing when measuring vertical lengths. Allow 3/8" min. clearance at the head, sill, and jamb to facilitate installation and provide space for caulking. If job conditions are uncertain, or masonry openings are irregular, allow extra clearance to accommodate construction tolerance.

STEP B: Cut vertical members to required length. At desired horizontal locations drill the proper holes in the vertical member for attachment of the spline screws, as shown below.

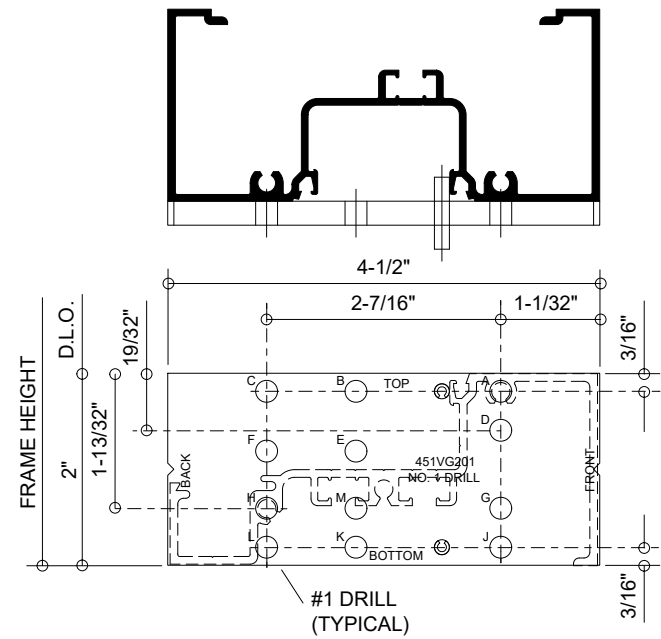
Trifab™ VG 451 / 451T (CENTER OPTION)

PLACE JIG INTO MULLION AS SHOWN BELOW

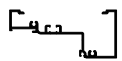
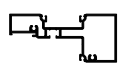
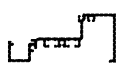


Trifab™ VG 451 / 451T (CENTER OPTION)


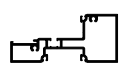
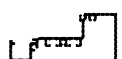
PLACE JIG INTO MULLION AS SHOWN BELOW



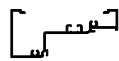
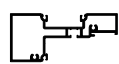
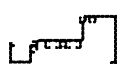
OUTSIDE GLAZED (STOPS DOWN)

-  HEAD PREP = HOLES (D, L)
-  HORIZONTAL PREP = HOLES (D, L)
-  SILL PREP = HOLES (C, G)

OUTSIDE GLAZED (STOPS UP)

-  HEAD PREP = HOLES (J, L)
-  HORIZONTAL PREP = HOLES (C, G)
-  SILL PREP = HOLES (C, G)

INSIDE GLAZED

-  HEAD PREP = HOLES (D, L)
-  HORIZONTAL PREP = HOLES (D, L)
-  SILL PREP = HOLES (A, H)

Laws and building and safety codes governing the design and use of glazed entrance, window, and curtain wall products vary widely. Kawneer does not control the selection of product configurations, operating hardware, or glazing materials, and assumes no responsibility therefor.

Kawneer reserves the right to change configuration without prior notice when deemed necessary for product improvement.
© Kawneer Company, Inc., 2009

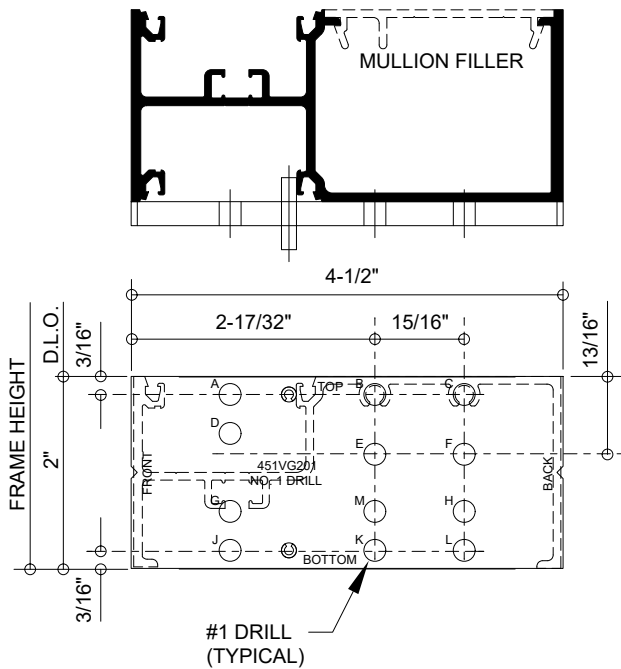
SCREW SPLINE PREPS FOR FRONT OR BACK OPTION

STEP A: Measure the opening to determine length of vertical and horizontal framing members. For all units that require sill flashing, allow 1/2" for flashing when measuring vertical lengths. Allow 3/8" min. clearance at the head, sill, and jamb to facilitate installation and provide space for caulking. If job conditions are uncertain, or masonry openings are irregular, allow extra clearance to accommodate construction tolerance.

STEP B: Cut vertical members to required length. At desired horizontal locations drill the proper holes in the vertical member for attachment of the spline screws, as shown below.

Trifab™ VG 451-451T (FRONT OPTION)

PLACE JIG INTO MULLION AS SHOWN BELOW



OUTSIDE GLAZED

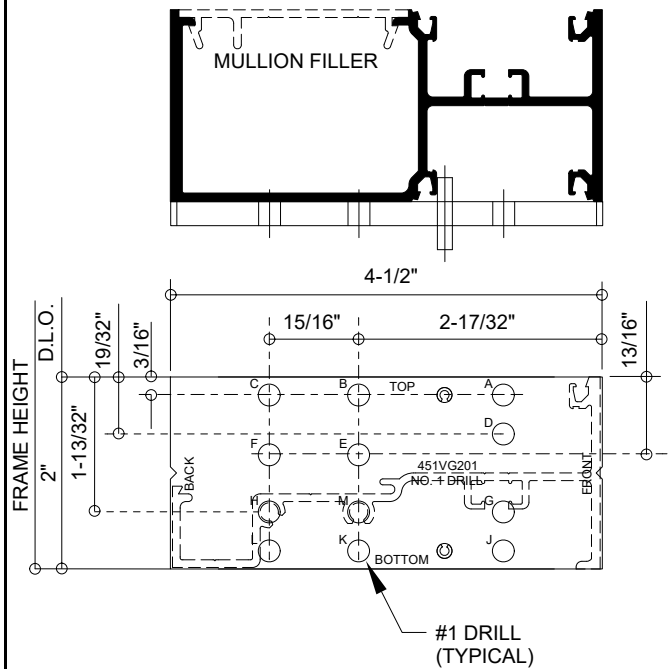
- HEAD PREP = HOLES (K, L)
- HORIZONTAL PREP = HOLES (B, C)
- SILL PREP = HOLES (B, C)

INSIDE GLAZED

- HEAD PREP = HOLES (E, F)
- HORIZONTAL PREP = HOLES (B, C)
- SILL PREP = HOLES (B, C)

Trifab™ VG 451-451T (BACK OPTION)

PLACE JIG INTO MULLION AS SHOWN BELOW



OUTSIDE GLAZED

- HEAD PREP = HOLES (E, F)
- HORIZONTAL PREP = HOLES (B, C)
- SILL PREP = HOLES (H,M)

INSIDE GLAZED

- HEAD PREP = HOLES (K, L)
- HORIZONTAL PREP = HOLES (B, C)
- SILL PREP = HOLES (H,M)

Screw spline preps for mullion fillers may be completed by using a 2" piece of mullion to support drill jig or by locating the horizontal at the vertical dimensions shown above, and drilling at the "V" groves in the extrusions.

SCREW SPLINE ASSEMBLY

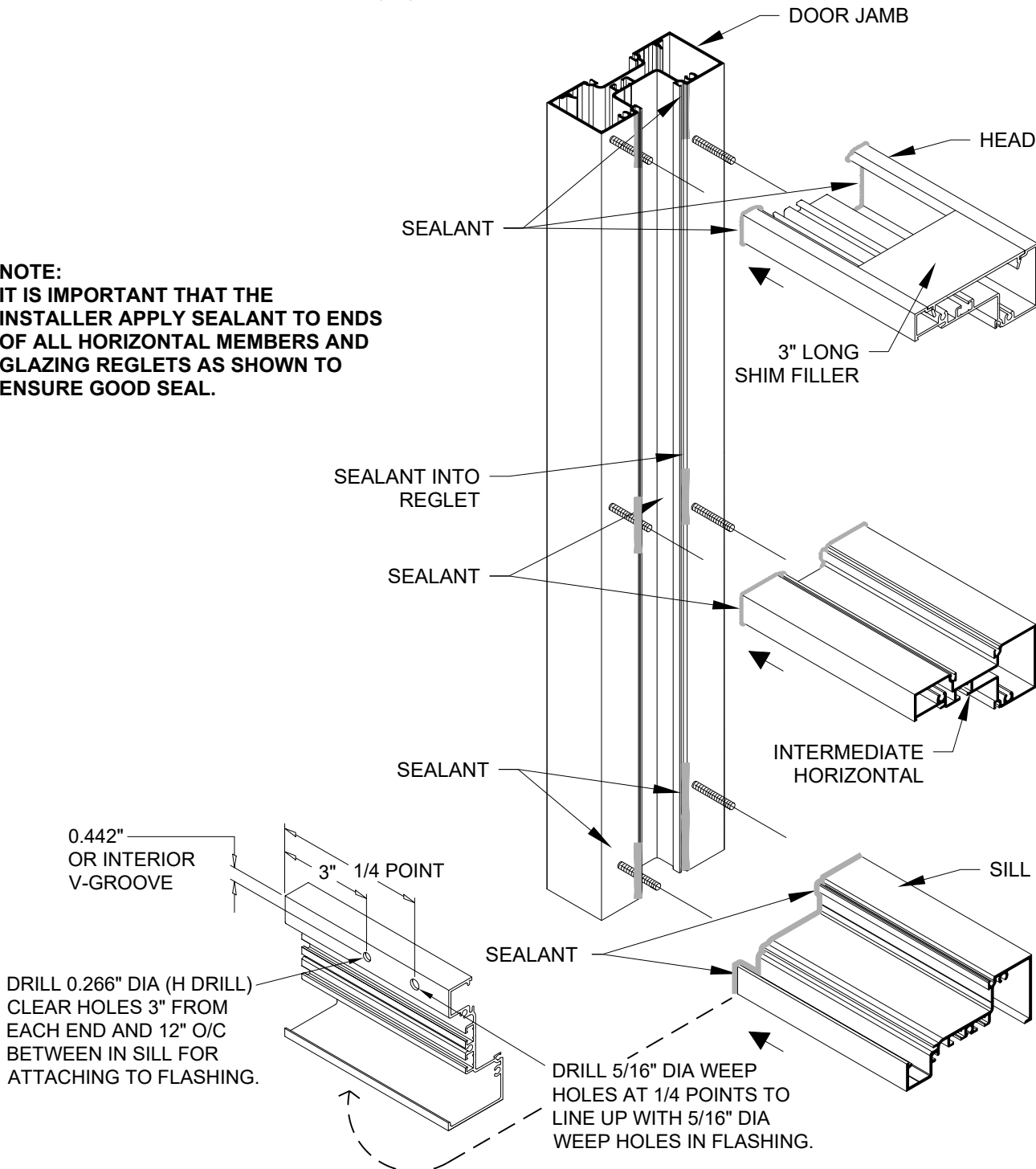
STEP A: Cut horizontals to length (Daylight Opening) and apply sealant to the ends ensuring a good seal to the vertical member. (Glass stops should be D.L.O. - 1/16")

STEP B: Assemble the units using two 028856 (#12 x 1-1/8" P.H. Screws) at each joint as shown below. Be sure that each unit is fabricated with a male and female mullion half.

NOTE: Every unit must have at least one deep vertical pocket.

STEP C: When an entrance is required, Shear Block joinery must be used to attach horizontals to the immediate door frame. The other side of the sidelite will be fabricated for screw spline joinery as usual. See Section IV for Shear Block preparation.

NOTE:
IT IS IMPORTANT THAT THE
INSTALLER APPLY SEALANT TO ENDS
OF ALL HORIZONTAL MEMBERS AND
GLAZING REGLETS AS SHOWN TO
ENSURE GOOD SEAL.



Laws and building and safety codes governing the design and use of glazed entrance, window, and curtain wall products vary widely. Kawneer does not control the selection of product configurations, operating hardware, or glazing materials, and assumes no responsibility therefor.

Kawneer reserves the right to change configuration without prior notice when deemed necessary for product improvement.

© Kawneer Company, Inc., 2009

SHEAR BLOCK PREPS FOR CENTER OPTION

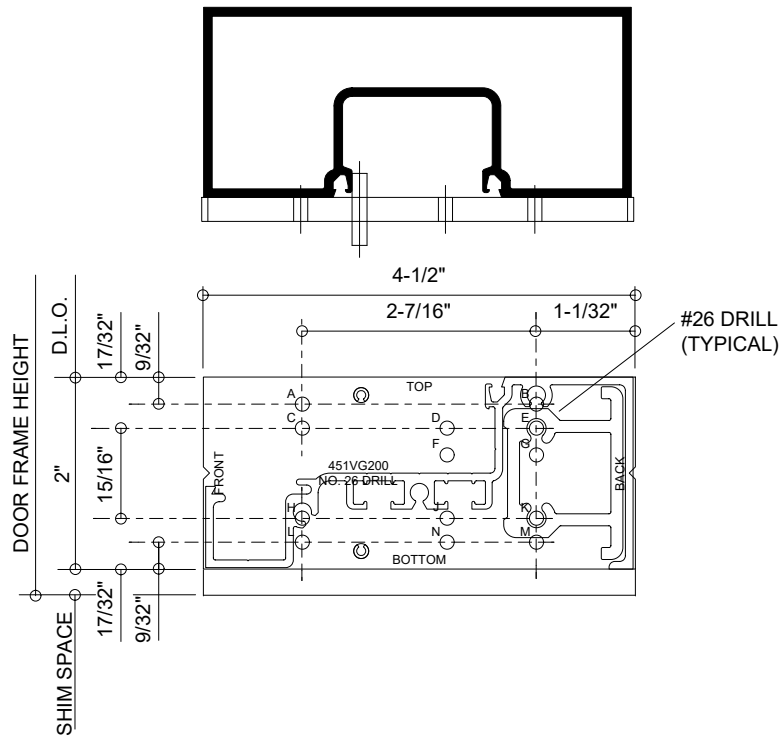
STEP A: At desired horizontal locations drill the proper holes in the door jambs for attachment of the shear blocks, as shown below.

IMPORTANT NOTE: Door jambs run through to perimeter at sill. **Locate sill to accommodate sill flashing** and shim space at sill.




STEP B: Attach shear blocks to door jambs using #028400 (#10 X 1-19/32" P.H.) Screws as required.

Trifab™ VG 451 (CENTER OPTION)



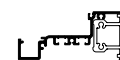
PLACE JIG INTO MULLION AS SHOWN BELOW






OUTSIDE GLAZED (STOPS DOWN)

-  HEAD PREP = HOLES (E, K)
-  HORIZONTAL PREP = HOLES (E, K)
-  SILL PREP = HOLES (E, K)




OUTSIDE GLAZED (STOPS UP)

-  HEAD PREP = HOLES (C, H, K)
-  HORIZONTAL PREP = HOLES (E, K)
-  SILL PREP = HOLES (E, K)

OUTSIDE GLAZED (STOPS DOWN) WITH OPTIONAL HORIZONTAL

-  HEAD PREP = HOLES (E, K)
-  HORIZONTAL PREP = HOLES (A, B, K)
-  SILL PREP = HOLES (E, K)

OUTSIDE GLAZED (STOPS UP) WITH OPTIONAL HORIZONTAL

-  HEAD PREP = HOLES (C, H, K)
-  HORIZONTAL PREP = HOLES (E, L, M)
-  SILL PREP = HOLES (E, K)

Laws and building and safety codes governing the design and use of glazed entrance, window, and curtain wall products vary widely. Kawneer does not control the selection of product configurations, operating hardware, or glazing materials, and assumes no responsibility therefor.

Kawneer reserves the right to change configuration without prior notice when deemed necessary for product improvement.

© Kawneer Company, Inc., 2009

SHEAR BLOCK PREPS FOR CENTER OPTION

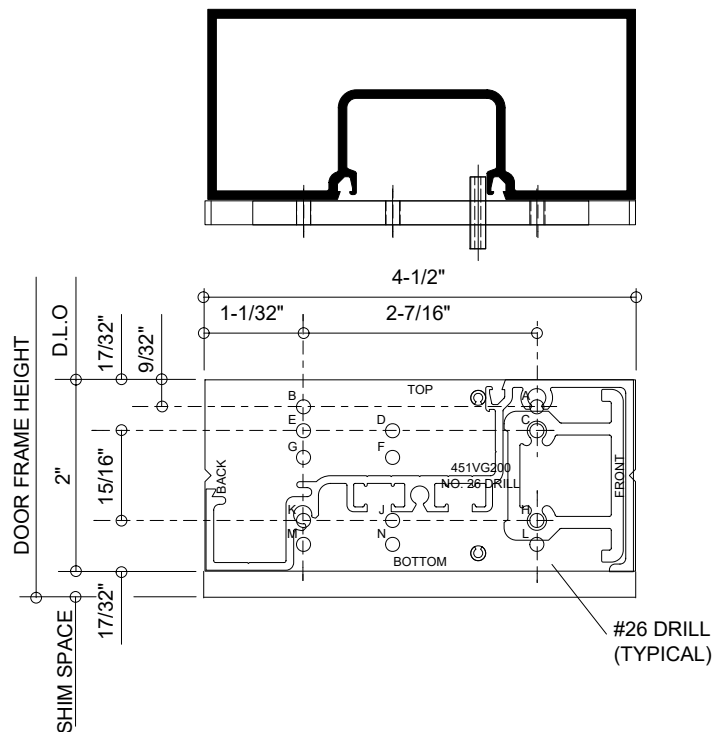
STEP A: At desired horizontal locations drill the proper holes in the door jambs for attachment of the shear blocks, as shown below.

IMPORTANT NOTE: Door jambs run through to perimeter at sill. **Locate sill to accommodate sill flashing** and shim space at sill.

STEP B: Attach shear blocks to door jambs using #028400 (#10 X 1-19/32" P.H.) Screws as required.

Trifab™ VG 451 (CENTER OPTION)

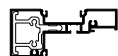
PLACE JIG INTO MULLION AS SHOWN BELOW



INSIDE GLAZED



HEAD PREP = HOLES (E, K)



HORIZONTAL PREP = HOLES (E, K)

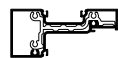


SILL PREP = HOLES (C, H)

INSIDE GLAZED WITH OPTIONAL HORIZONTAL



HEAD PREP = HOLES (C, K)



HORIZONTAL PREP = HOLES (A, B, K)



SILL PREP = HOLES (C, H)

Laws and building and safety codes governing the design and use of glazed entrance, window, and curtain wall products vary widely. Kawneer does not control the selection of product configurations, operating hardware, or glazing materials, and assumes no responsibility therefor.

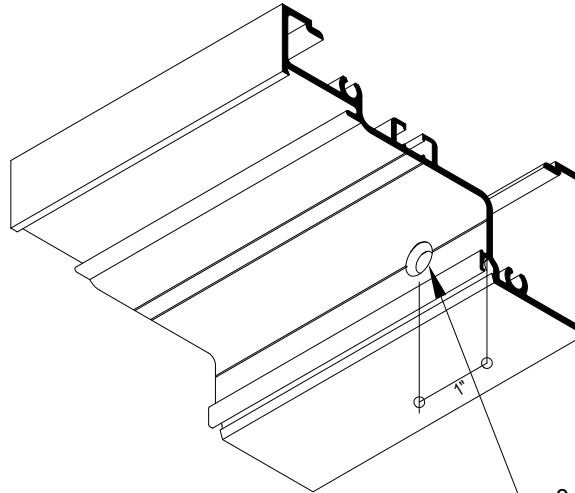
Kawneer reserves the right to change configuration without prior notice when deemed necessary for product improvement.
© Kawneer Company, Inc., 2009

SHEAR BLOCK PREPS FOR CENTER OPTION

STEP C: Cut horizontals to length = Daylight Opening, (glass stops should be D.L.O. - 1/16").

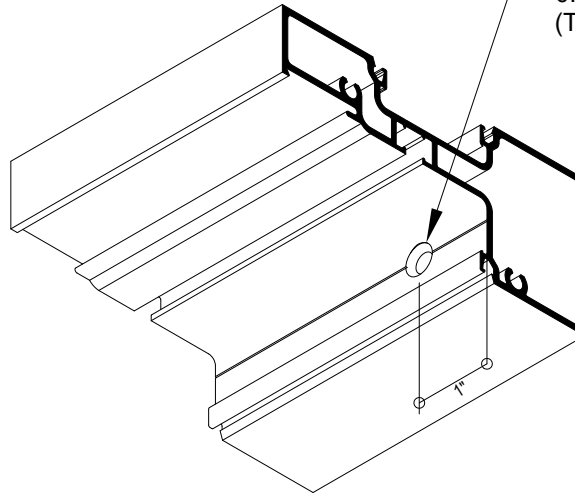
STEP D: Fabricate head, sill, and intermediate horizontals by drilling and countersinking for #10 F.H. screw.

HEAD



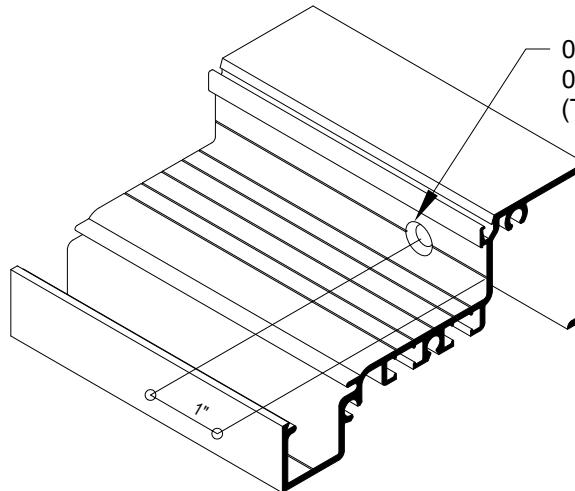
0.201" DIA. HOLE (#7 DRILL)
0.390" DIA. x 82 COUNTERSINK
(TYP.)

HORIZONTAL



0.201" DIA. HOLE (#7 DRILL)
0.390" DIA. x 82 COUNTERSINK
(TYP.)

SILL



Laws and building and safety codes governing the design and use of glazed entrance, window, and curtain wall products vary widely. Kawneer does not control the selection of product configurations, operating hardware, or glazing materials, and assumes no responsibility therefor.

Kawneer reserves the right to change configuration without prior notice when deemed necessary for product improvement.

© Kawneer Company, Inc., 2009

SHEAR BLOCK PREPS FOR FRONT OR BACK OPTION

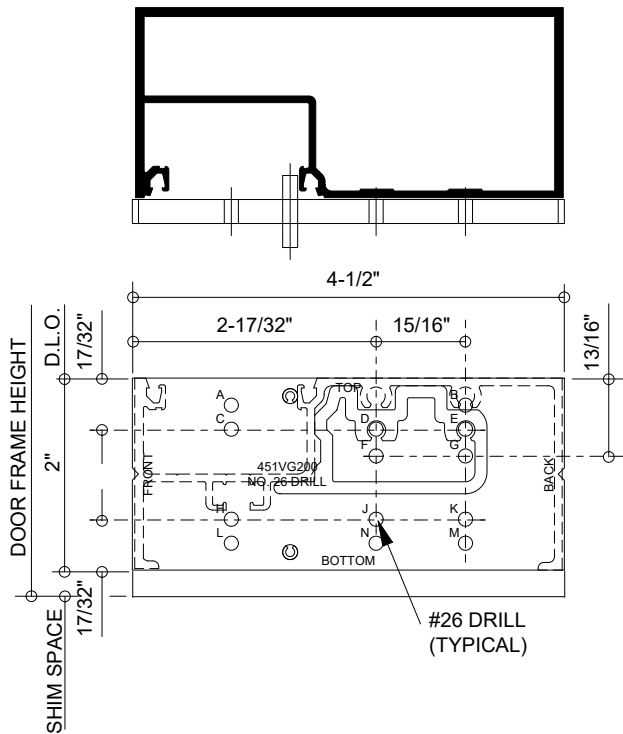
STEP A: At desired horizontal locations drill the proper holes in the door jambs for attachment of the shear blocks, as shown below.

IMPORTANT NOTE: Door jambs run through to perimeter at sill. **Locate sill to accommodate sill flashing** and shim space at sill.

STEP B: Attach shear blocks to door jambs using #028400 (#10 X 1-19/32" P.H.) Screws as required.

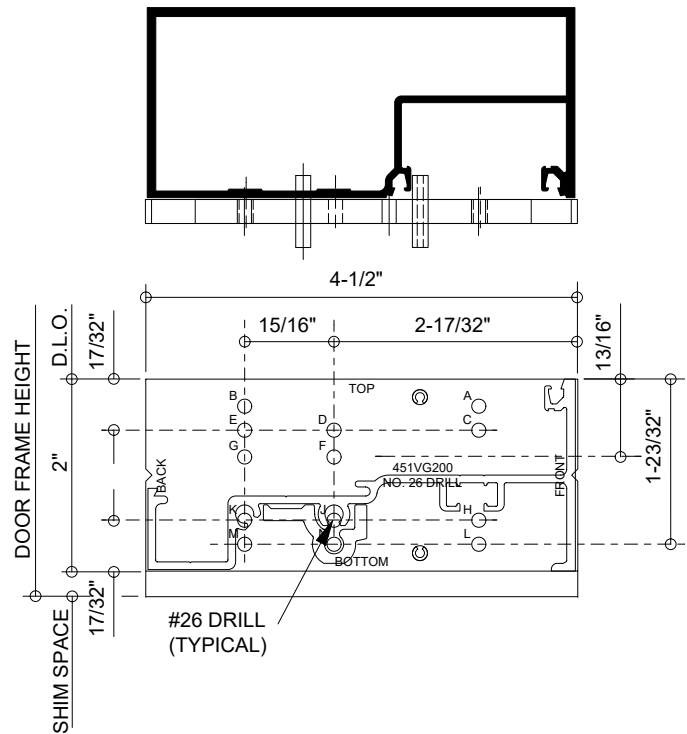
Trifab™ VG 451 (FRONT OPTION)

PLACE JIG INTO MULLION AS SHOWN BELOW



Trifab™ VG 451 (BACK OPTION)

PLACE JIG INTO MULLION AS SHOWN BELOW



OUTSIDE GLAZED

- HEAD PREP = HOLES (J, K)
- HORIZONTAL PREP = HOLES (F, G)
- SILL PREP = HOLES (D, E)

INSIDE GLAZED

- HEAD PREP = HOLES (D, E)
- HORIZONTAL PREP = HOLES (F, G)
- SILL PREP = HOLES (D, E)

OUTSIDE GLAZED

- HEAD PREP = HOLES (D, E)
- HORIZONTAL PREP = HOLES (F, G)
- SILL PREP = HOLES (N)

INSIDE GLAZED

- HEAD PREP = HOLES (J, K)
- HORIZONTAL PREP = HOLES (F, G)
- SILL PREP = HOLES (N)

Laws and building and safety codes governing the design and use of glazed entrance, window, and curtain wall products vary widely. Kawneer does not control the selection of product configurations, operating hardware, or glazing materials, and assumes no responsibility therefor.

Kawneer reserves the right to change configuration without prior notice when deemed necessary for product improvement.
© Kawneer Company, Inc., 2009

SHEAR BLOCK PREPS FOR FRONT OR BACK OPTIONS

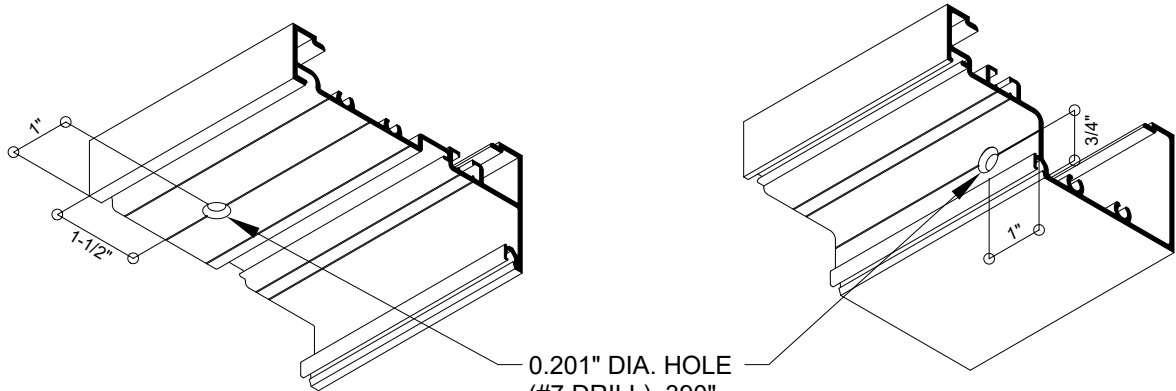
STEP C: Cut horizontals to length = Daylight Opening, (glass stops should be D.L.O. - 1/16").

STEP D: Fabricate head, sill by drilling and countersinking for #10 F.H. screw.

**FRONT - INSIDE GLAZED
OR
BACK - OUTSIDE GLAZED**

**FRONT - OUTSIDE GLAZED
OR
BACK - INSIDE GLAZED**

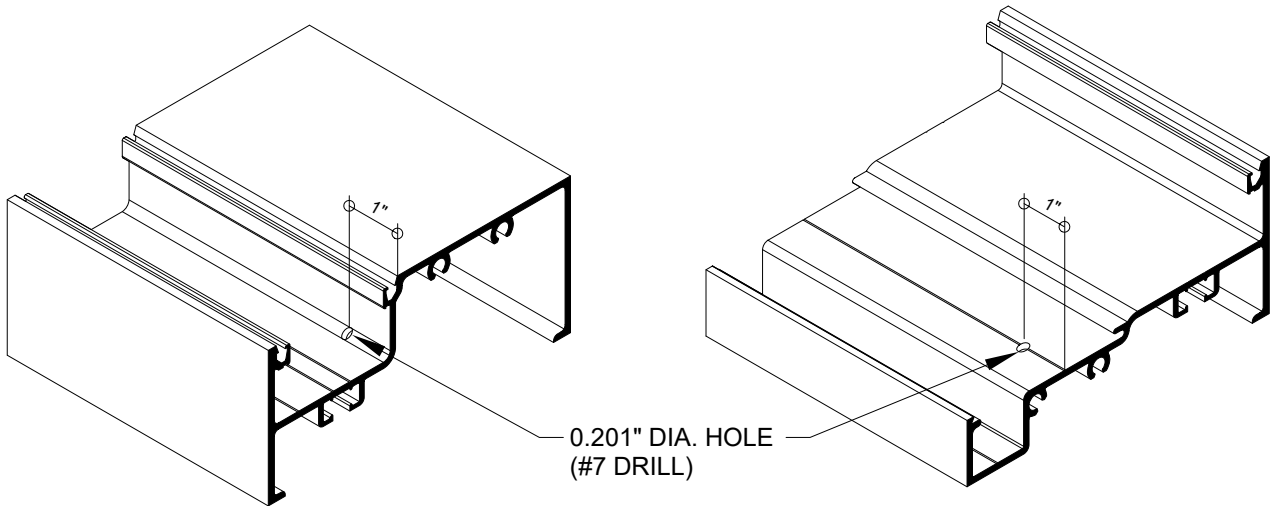
HEAD



**FRONT
INSIDE OR OUTSIDE GLAZED**

**BACK
INSIDE OR OUTSIDE GLAZED**

SILL



Laws and building and safety codes governing the design and use of glazed entrance, window, and curtain wall products vary widely. Kawneer does not control the selection of product configurations, operating hardware, or glazing materials, and assumes no responsibility therefor.

Kawneer reserves the right to change configuration without prior notice when deemed necessary for product improvement.
© Kawneer Company, Inc., 2009

STEP A: FOR CENTER OPTION INTERMEDIATE HORIZONTALS

Hold fabricated horizontal member in place over shear block and tight against vertical member. Then match drill hole in shear block with #26 (.147) slightly offset to **Vertical Mullion Side** of countersunk hole in the horizontal so as to pull the joint tight when assembled as shown below. (See Figure #1)

NOTE: FOR FRONT OR BACK INTERMEDIATE HORIZONTALS

Hold fabricated horizontal member in place over shear block and tight against vertical member. Then match drill hole in shear block with #26 (.147) slightly offset to **D.L.O. Side** of hole in the shear block so as to pull the joint tight when assembled as shown below. (See Figure #2)

STEP B: Apply sealant to the ends of all horizontal members, shear blocks and into reglets as shown below.

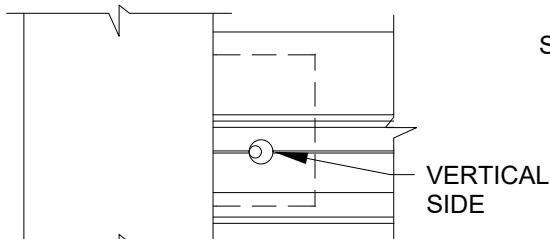
STEP C: Attach horizontal members to shear blocks with fasteners provided in shear block packages.

STEP D: Continue procedure above until entire frame is assembled.

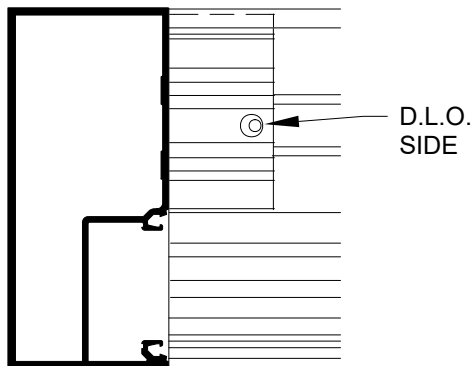
STEP E: Install flat fillers into head and jamb at perimeter anchor locations. Crimp material to prevent filler plate from sliding. Perimeter anchors should be located within 6" on each side of vertical mullions and 24" O.C. between vertical mullions.

NOTE:

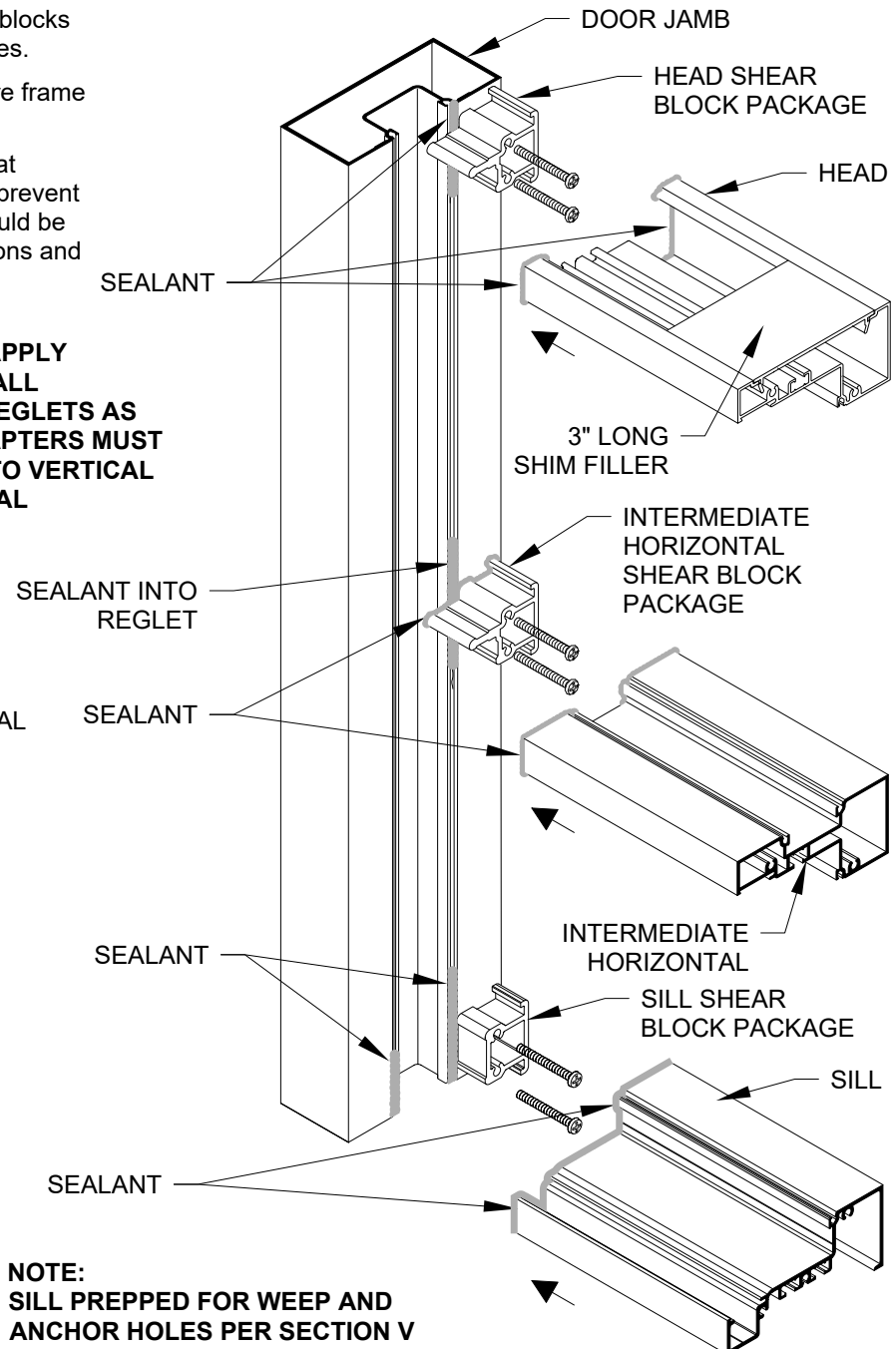
IT IS IMPORTANT THAT THE INSTALLER APPLY SEALANT TO SHEAR BLOCKS, ENDS OF ALL HORIZONTAL MEMBERS AND GLAZING REGLETS AS SHOWN TO ENSURE SEAL. GLAZING ADAPTERS MUST ALSO BE SEALED AT THE HORIZONTAL TO VERTICAL JOINT. (SEE SECTION VIII FOR ADDITIONAL INFORMATION.)



**FIGURE #1
FOR CENTER OPTION
INTERMEDIATE HORIZONTALS**



**FIGURE #2
FOR FRONT OR BACK OPTION
INTERMEDIATE HORIZONTALS**



**NOTE:
SILL PREPPED FOR WEEP AND
ANCHOR HOLES PER SECTION V**

Laws and building and safety codes governing the design and use of glazed entrance, window, and curtain wall products vary widely. Kawneer does not control the selection of product configurations, operating hardware, or glazing materials, and assumes no responsibility therefor.

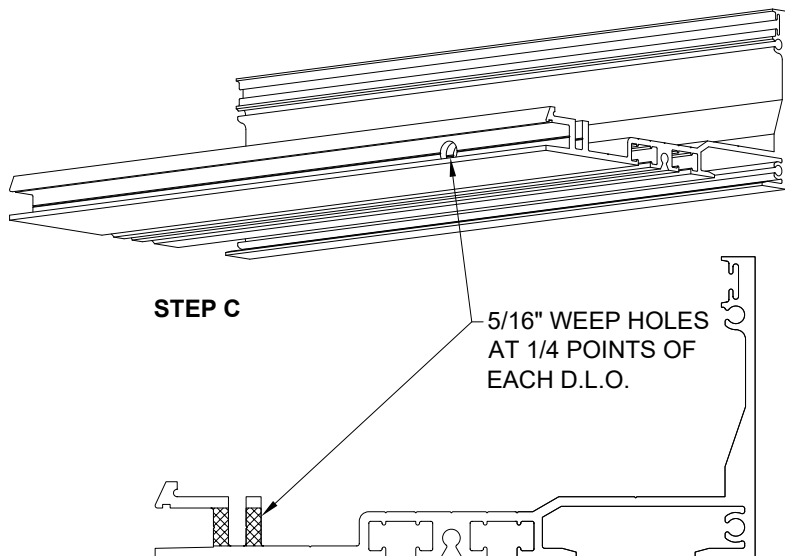
Kawneer reserves the right to change configuration without prior notice when deemed necessary for product improvement.

© Kawneer Company, Inc., 2009

Sill Flashing

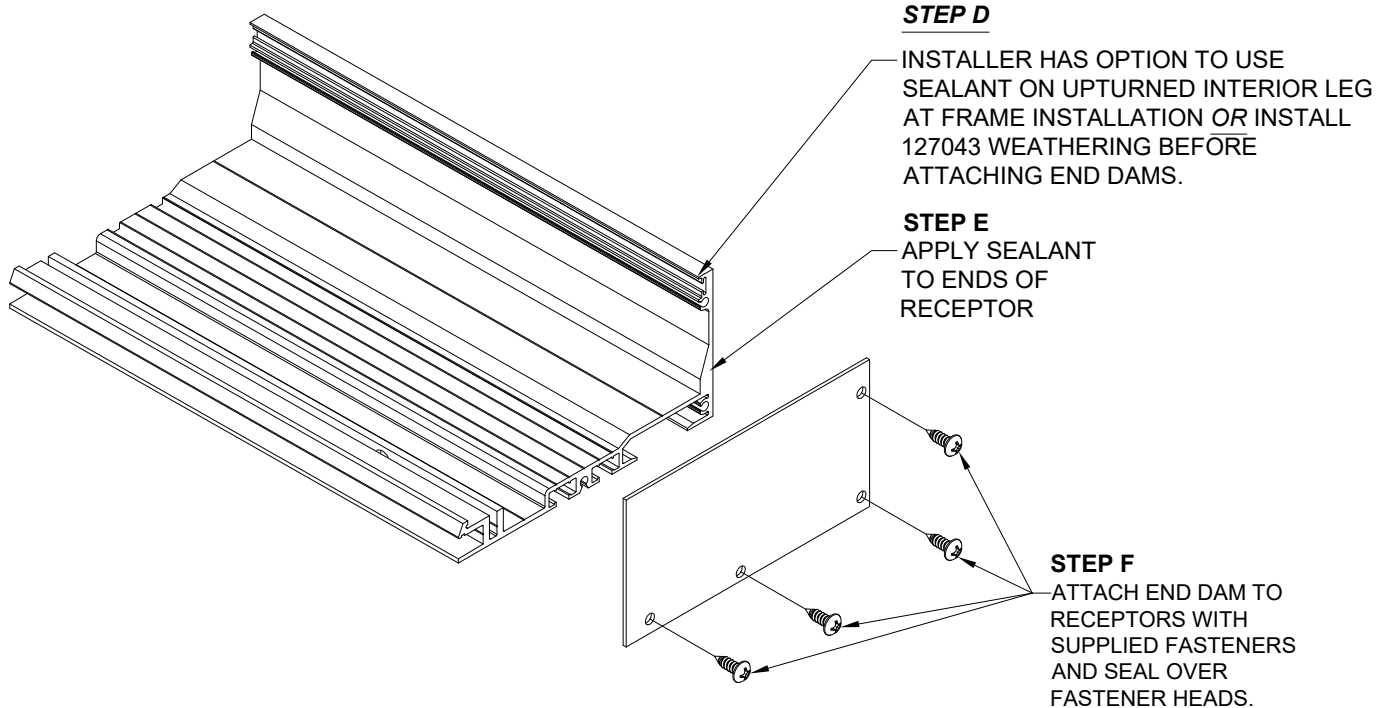
Measure the opening to determine length of vertical and horizontal framing members. Allow 3/8" minimum clearance at the head, sill, and each jamb to facilitate installation and provide space for caulking. If job conditions are uncertain, or masonry openings are irregular, allow extra clearance to accommodate construction tolerance.

- STEP A: Cut Sill Flashing to length.
- STEP B: Drill perimeter anchor holes through the flashing (DO NOT DRILL THROUGH THERMAL BREAKS). Anchor holes should be located within 6" of each end of the flashing and 12" O.C. between or as determined by structural calculations. (See note below.)
- STEP C: Drill two 5/16" weep holes at 1/4 points of each D.L.O. through exterior face and adjacent interior wall of sill flashing.
- STEP D: Installer has option to use sealant on upturned interior leg at frame installation or install 127043 weathering before attaching end dams.
- STEP E: Apply sealant to ends of flashing.
- STEP F: Attach end dams to flashing with four 028808 (#8 x 1/2" PHTF) supplied screws, and seal over heads. Tool sealant along outside edges and inside corners between end dam and flashing.



NOTE: (STEP B):

1. REFER TO SHOP DRAWINGS OR CONSULT ENGINEERING FOR PERIMETER FASTENER SIZE AND LOCATIONS.
2. IF OPENING IS OVER 24' WIDE, A SPLICE JOINT IS REQUIRED EVERY 12'. SEE SPLICE JOINT INSTALLATION ON PAGE 16.

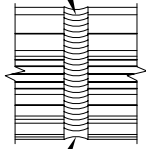


Laws and building and safety codes governing the design and use of glazed entrance, window, and curtain wall products vary widely. Kawneer does not control the selection of product configurations, operating hardware, or glazing materials, and assumes no responsibility therefor.

Kawneer reserves the right to change configuration without prior notice when deemed necessary for product improvement.
© Kawneer Company, Inc., 2009

SILL FLASHING SPLICE

APPLY BEAD OF SILICONE SEALANT OVER BACKER ROD BETWEEN 1/2" JOINT IN FLASHING AND TOOL INTO JOINT.



APPLY BEAD OF SILICONE SEALANT WITHIN A 1/2" OF SPLICE JOINT ON FLASHING.

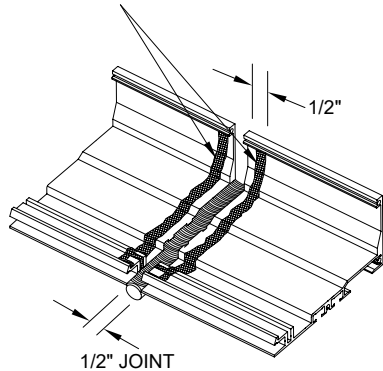


FIGURE 1

PLACE BACKER ROD BETWEEN SPLICE IN THE SHIM SPACE AND SEAL BETWEEN SPLICE WITH SILICONE

3/8" MIN SHIM SPACE

FILL FRONT SCREW CHASE COMPLETELY WITH SILICONE A MINIMUM OF 1 INCH FROM CUT ENDS OF SILL. DO NOT PUT SILICONE SLEEVE INTO THIS GROOVE.

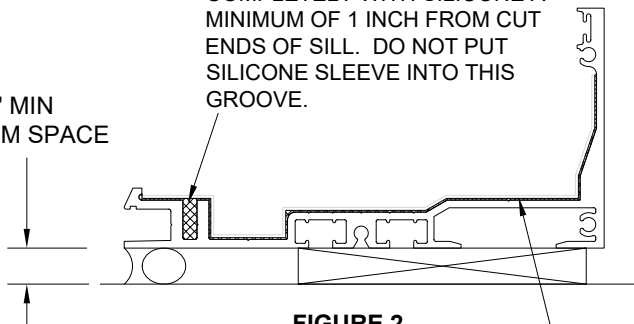


FIGURE 2

127178 SILICONE SPLICE SLEEVE (CUT TO 7" LENGTH)

USE PUTTY KNIFE TO FORM SILICONE SPLICE SLEEVE ALONG THE PROFILE OF THE FLASHING

SEAL BACK AND FRONT OF EXPOSED JOINT

BED SPLICE SLEEVE IN SEALANT AND TOOL EXCESS

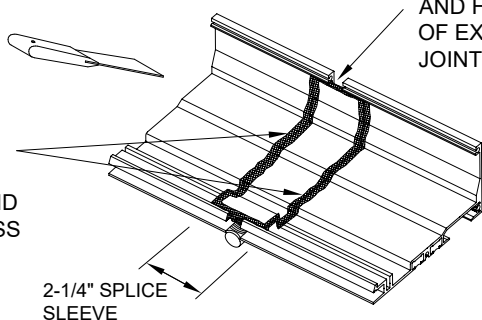


FIGURE 3

PROCEDURE FOR INSTALLING SILICONE SPLICE SLEEVE

(Follow silicone supplier recommendation for cleaning and priming the joint.)

1. Cut Silicone Splice Sleeve (127178) to 7 inches long.
2. Clean splice area with solvent.
(For cold weather applications see note below.)
3. Apply bead of silicone within 1/2" of the edge of the sill members on each side of the 1/2" joint. (Figure 1)
4. Fill front screw chase completely with silicone beyond splice a minimum of 1 inch from cut end of sill. (Figure 2)
5. Remove protective liner from Splice Sleeve.
6. Center the Splice Sleeve over the joint. Then, using a putty knife, form the Splice Sleeve along the profile of the flashing. (Figure 3)
7. Silicone will squeeze out from under the Splice Sleeve. Use putty knife to tool off excess silicone. There should not be excessive build up of sealant thickness at the front and back of the splice where the horizontal sits down on top of the splice. (Figure 3)
8. Seal back and front of exposed joint and marry into perimeter seals. Be sure to force sealant up under the Splice Sleeve in front. Seal the exposed joint. (Figure 3)

NOTE:

- 1) **SPLICES SHOULD BE INSTALLED EVERY 12' WHEN FLASHING IS OVER 24'. SPLICE SLEEVES ARE TO BE LOCATED AT THE CENTER OF A DLO.**

DO NOT LOCATE SPLICE SLEEVES AT MULLIONS.

- 2) **IF THERE IS AN ENTRANCE, THE ENTRANCE FRAME AND ATTACHED SIDELITE(S) SHOULD BE INSTALLED FIRST, BEING CAREFUL TO LOCATE THEM ACCURATELY IN THE OPENING. FASTEN THE ENTRANCE FRAME TO THE PERIMETER CONDITION AS NECESSARY USING THE REQUIRED PERIMETER FASTENERS.**
- 3) **SILICONE MUST BE TESTED AND APPROVED FOR COMPATIBILITY BY THE SEALANT MANUFACTURER.**

COLD WEATHER NOTE:

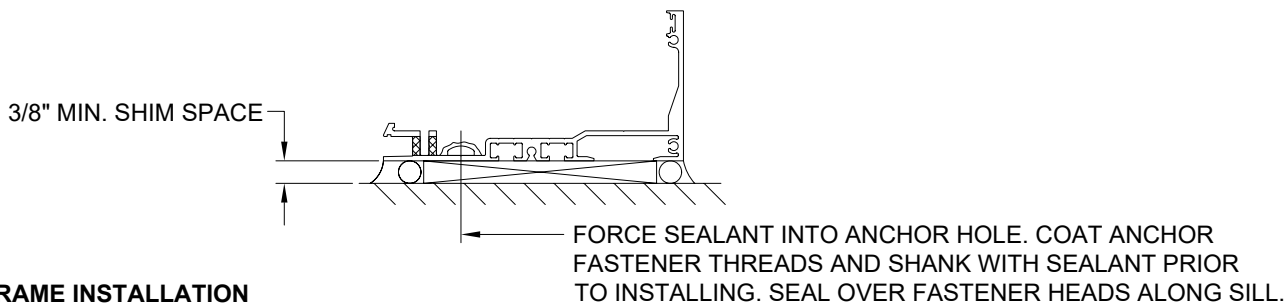
FOR TEMPERATURES BELOW 40°, WIPE RECEPTOR WITH A SOLVENT OR CLEANING SOLUTION RECOMMENDED BY THE SEALANT MANUFACTURER. JUST PRIOR TO INSTALLING THE SILICONE SPLICE SLEEVE. THIS WILL REMOVE ANY CONDENSATION OR FROST THAT IS PRESENT.

*CAUTION:

CAREFULLY FOLLOW THE RECOMMENDATIONS CONTAINED IN THE MATERIAL SAFETY DATA SHEET PROVIDED BY THE SOLVENT/CLEANING SOLUTION MANUFACTURER REGARDING HEALTH AND FIRE/EXPLOSION RISKS.

SILL FLASHING INSTALLATION

Install sill flashing level and true in opening. The sill flashing should be shimmed up a minimum of 3/8" as required at each fastener and under the location of each mullion to level flashing. Seal over all fasteners at the sill flashing.



FRAME INSTALLATION

STEP 1:

Apply sealant to front ledge of flashing as shown below.

STEP 2:

If 127043 weathering was not installed into reglet at top of interior upturned leg of sill flashing, then apply sealant bead to fill reglet. Make sealant bead large enough to sit proud of reglet so that when each frame is installed there is good sealant contact between sill and sill flashing. Tool sealant along seam between sill and sill flashing. Remove any excess sealant from visible surfaces.

STEP 3:

Position the assembled frame into the opening to align with sill flashing. Seat frame tightly against back leg of flashing to ensure a good seal. Install (128369) 1/4"-20 x 7/16" PHTCMS fasteners into the front of the sill attaching it to the flashing.

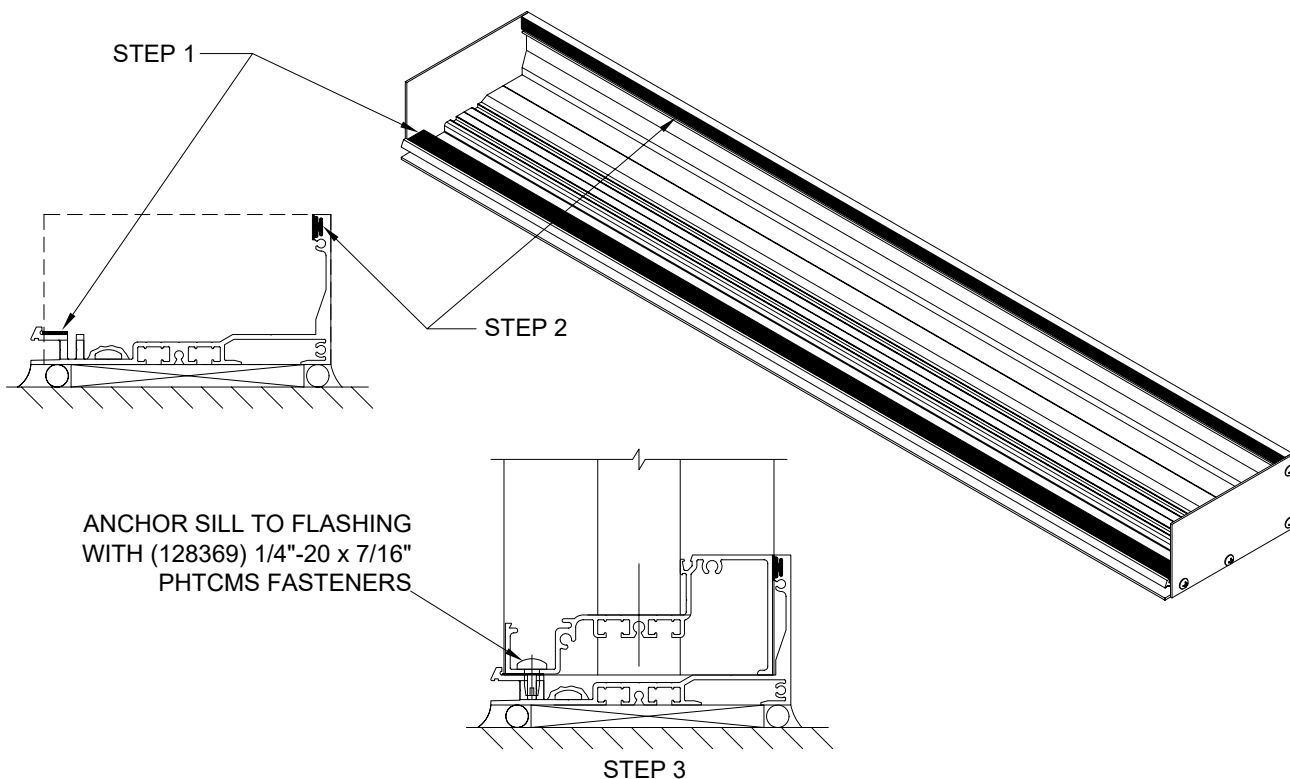
STEP 4:

Insert shims as needed at head and jambs, checking that the unit is level and plumb.

NOTE:

If heavy mullion or steel reinforcing is used, extra perimeter fasteners may be required to handle larger loads. Consult Area Application Engineering Department.

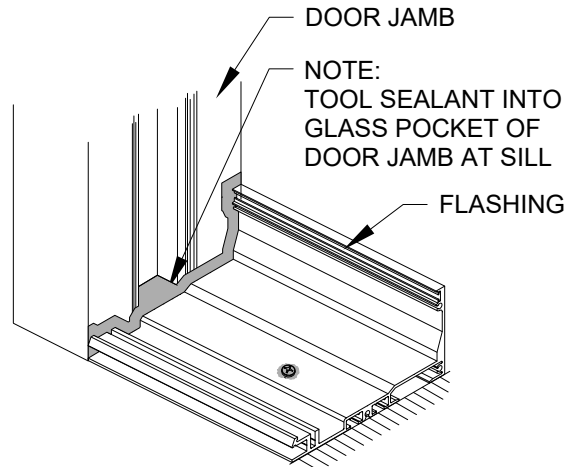
STEP 5: Caulk both interior and exterior at head, jambs and under sill flashing with a high quality sealant.



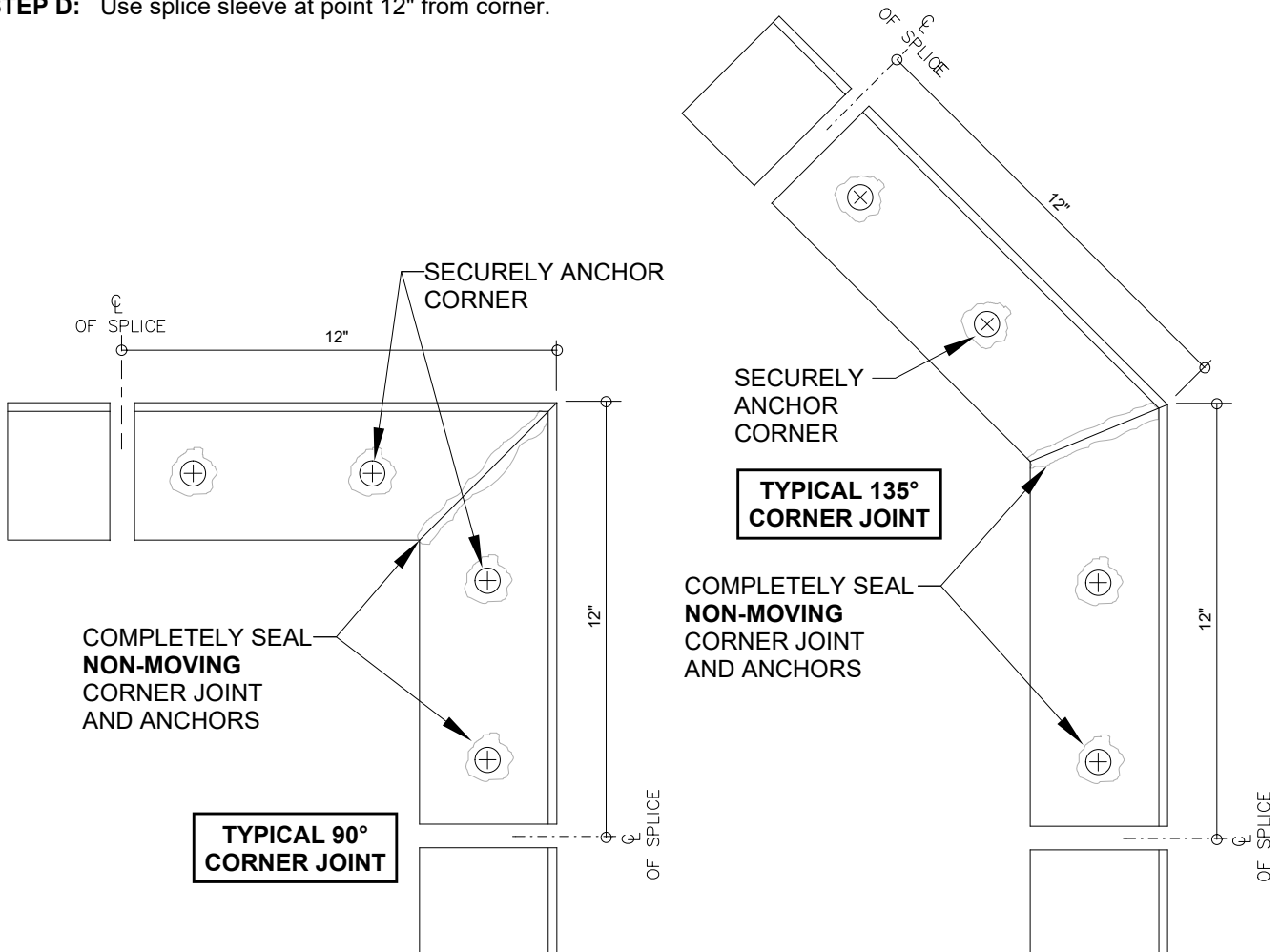
Laws and building and safety codes governing the design and use of glazed entrance, window, and curtain wall products vary widely. Kawneer does not control the selection of product configurations, operating hardware, or glazing materials, and assumes no responsibility therefor.

Kawneer reserves the right to change configuration without prior notice when deemed necessary for product improvement.
© Kawneer Company, Inc., 2009

SILL FLASHING AT DOOR JAMB AND CORNERS



- STEP A:** Miter two 12" sections of sill flashing to correct angle.
- STEP B:** Set mitered joint in a bed of sealant and securely anchor into place with a tight joint.
- STEP C:** Completely seal non-moving mitered joint and anchors.
- STEP D:** Use splice sleeve at point 12" from corner.



Laws and building and safety codes governing the design and use of glazed entrance, window, and curtain wall products vary widely. Kawneer does not control the selection of product configurations, operating hardware, or glazing materials, and assumes no responsibility therefor.

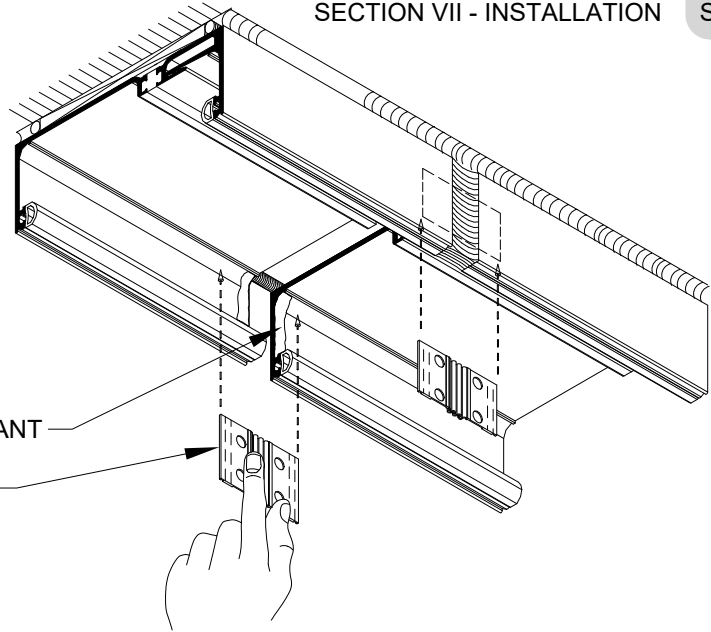
Kawneer reserves the right to change configuration without prior notice when deemed necessary for product improvement.
© Kawneer Company, Inc., 2009

HEAD RECEPTOR SPLICE JOINT

Install splice sleeve into head receptor as shown.

Note:
Alternate silicones must be tested and approved by sealant manufacturer.

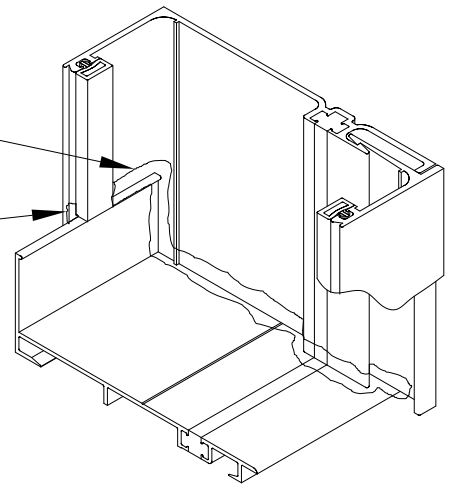
SILICONE SEALANT
XPANDR SPLICE SLEEVE CUT TO FIT



JAMB RECEPTOR AT SILL FLASHING

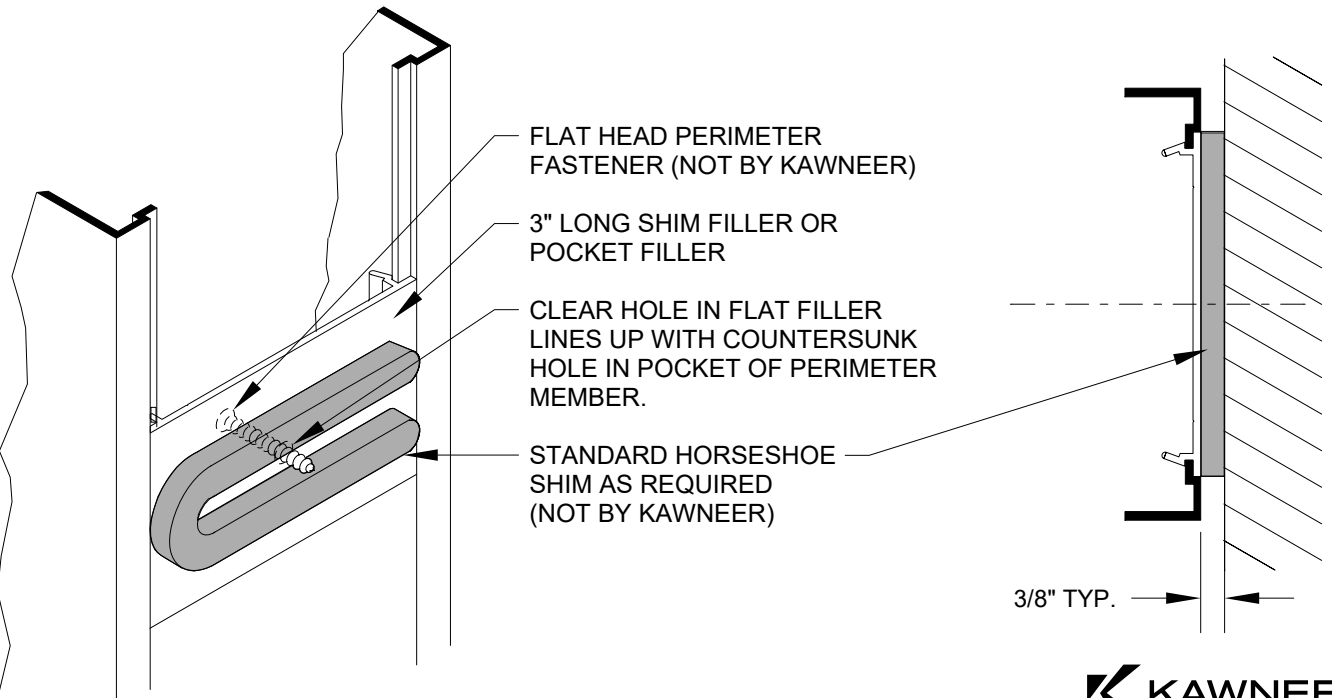
SEAL JAMB RECEPTOR AT SILL FLASHING AS SHOWN.

NOTE:
BACK SEAL THE EDGE OF THE RECEPTOR ALONG THE UPTURNED LEG OF THE FLASHING. TOOL SEALANT TO PROVIDE SEAL BETWEEN RECEPTOR, FLASHING AND RECEPTOR GASKET.



SHIM INSTALLATION

Install support shims at head, sill and jamb. Place between pocket fillet and perimeter condition at perimeter anchor locations.



FLAT HEAD PERIMETER FASTENER (NOT BY KAWNEER)

3" LONG SHIM FILLER OR POCKET FILLER

CLEAR HOLE IN FLAT FILLER LINES UP WITH COUNTERSUNK HOLE IN POCKET OF PERIMETER MEMBER.

STANDARD HORSESHOE SHIM AS REQUIRED (NOT BY KAWNEER)

3/8" TYP.

Laws and building and safety codes governing the design and use of glazed entrance, window, and curtain wall products vary widely. Kawneer does not control the selection of product configurations, operating hardware, or glazing materials, and assumes no responsibility therefor.

Kawneer reserves the right to change configuration without prior notice when deemed necessary for product improvement.

© Kawneer Company, Inc., 2009

WATER DEFLECTOR

Install water deflector on intermediate horizontals by removing the paper backing from the water deflector, applying to a clean, dry surface centered in the glazing pocket, and sealing (See Figure #1)

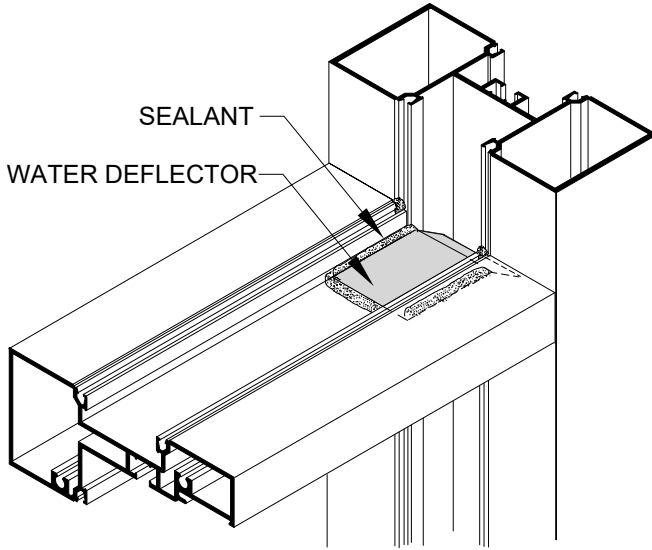
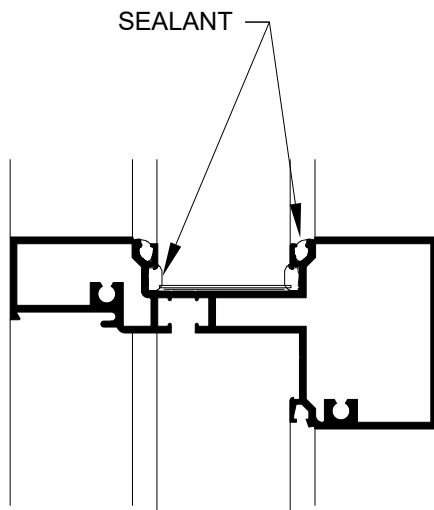
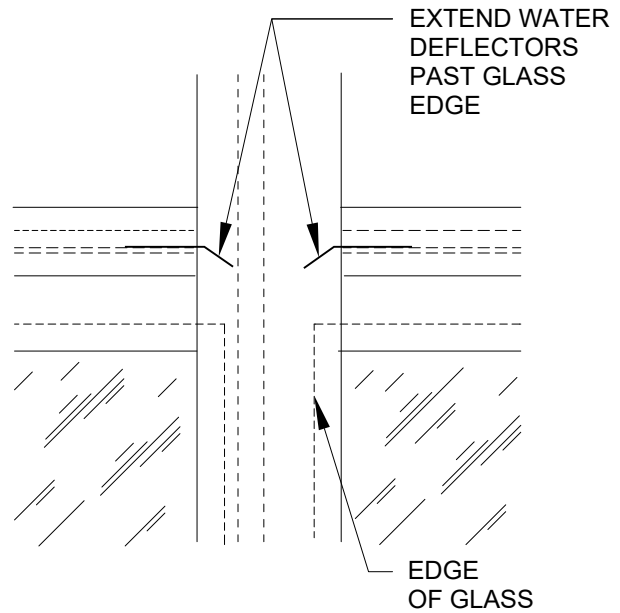


Figure 1

COLD WEATHER NOTE:
For temperatures below 40° the following precautions should be taken. Just prior to installing the water deflector, wipe glazing pocket with a solvent or cleaning solution recommended by the sealant manufacture.

CAUTION: Carefully follow the recommendations contained in the material safety data sheet provided by the solvent/cleaning solution manufacturer regarding health and fire/explosion risks.



FOR THERMAL MEMBERS,
SEAL UNDER DEFLECTOR
FILLING CAVITY WITH SEALANT

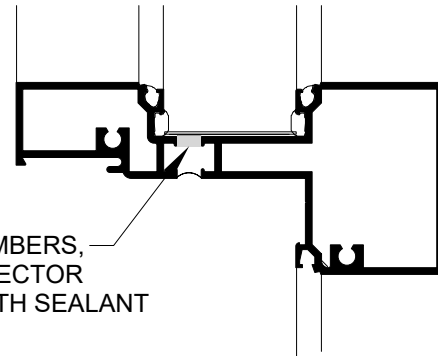


Figure 2

After the water deflector is installed, seal the joint between the back leg of the horizontal and the vertical. Make sure to fill the glazing reglets in that area to prevent water from running down to the lite below. (See Figure 2)

Laws and building and safety codes governing the design and use of glazed entrance, window, and curtain wall products vary widely. Kawneer does not control the selection of product configurations, operating hardware, or glazing materials, and assumes no responsibility therefor.

Kawneer reserves the right to change configuration without prior notice when deemed necessary for product improvement.
© Kawneer Company, Inc., 2009

GLAZING ADAPTORS FOR Trifab™ VG 451/451T

TYPICAL INSTALLATION OF PARTIAL OR FULL LENGTH VERTICAL GLAZING ADAPTORS - PRIOR TO FRAME ASSEMBLY

Vertical glazing adaptors may be installed for partial, (Figure 1) or full-length, (Figure 2) applications at the time the frames are assembled.

STEP 1: Cut VERTICAL glazing adaptors to D.L.O. plus 1/2" partial length applications or to vertical member length for full-length applications.

STEP 2: Cut HORIZONTAL glazing adaptors to D.L.O.

STEP 3: Snap vertical adapters into glazing reglets of frame and assemble frame as instructed. In partial length applications, vertical adapter should be positioned to allow sealing of the horizontal adapter to the vertical (approximately 1/4" projection into horizontal pocket, Figure 3). It may be necessary to lightly crimp vertical adapter in place to prevent sliding.

SPECIAL NOTE: When using pre-installed vertical glazing adaptors, care should be taken at the time of the frame assembly, to seal the vertical glazing reglets where they meet the intermediate horizontals. The 1/4" water deflector should be used on all full-length applications (Figure 4), and installed as shown in Section VII. 1" water deflectors are used for the partial adapter applications as long as the adapter does not impede water evacuation of the intermediate horizontal. The water deflector must allow water to drain into the vertical pocket beyond the edge of the glass below.

STEP 4: Apply sealant to vertical adapter at the final position of the snapped-in horizontal adapter.

STEP 5: Snap the HORIZONTAL glazing adapters into the glazing reglet allowing the adapter to rotate into the pocket and contact the sealant at the vertical adapter.

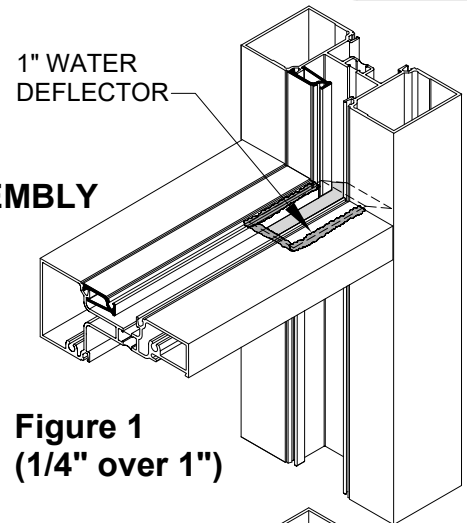


Figure 1
(1/4" over 1")

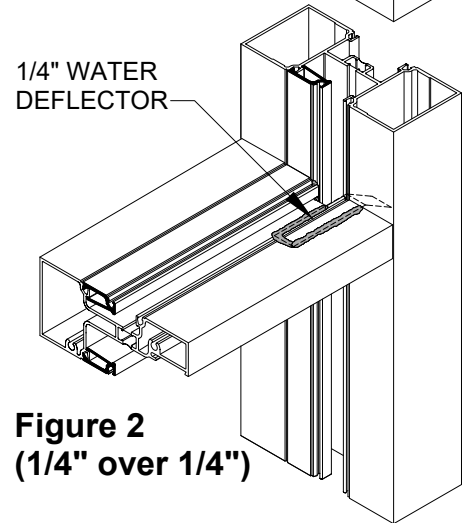


Figure 2
(1/4" over 1/4")

INSTALLATION OF GLAZING ADAPTORS - AFTER FRAME ASSEMBLY AND FOR FIELD RETROFIT APPLICATIONS

STEP 1: Cut VERTICAL glazing adaptors to D.L.O. + 1/2".

STEP 2: Make a 1/4" by 1/4" notch at each end of the vertical glazing adapter. Notch should be made on the face side of the adapter nearest the gasket reglet as shown (Figure 3).

STEP 3: Cut HORIZONTAL glazing adapter to D.L.O.

STEP 4: Snap vertical adapters into glazing reglets of frame. Adapter should be positioned to allow sealing of horizontal adapter to the vertical adapter (approximately 1/4" projection into horizontal pocket, Figure 3)

SPECIAL CARE NOTE: Ensure that the glazing adapter does not impede water evacuation at the intermediate horizontal. The previously installed 1" water deflector must allow water to drain into the vertical pocket beyond the edge of the glass below.

STEP 5: Apply sealant to vertical adapter at final position of the snapped-in horizontal adapter.

STEP 6: Snap the HORIZONTAL glazing adapters in the glazing reglet allowing the adapter to rotate into the pocket and contact the sealant at the vertical adapter.

Figure 3

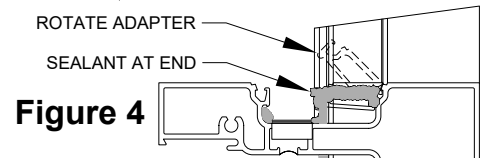
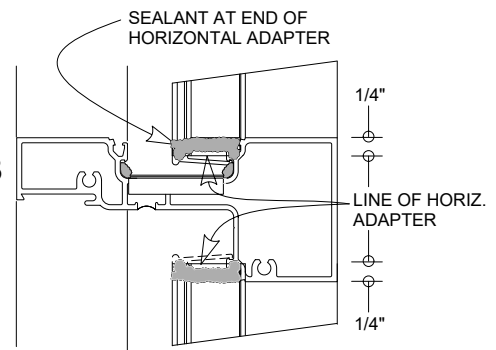
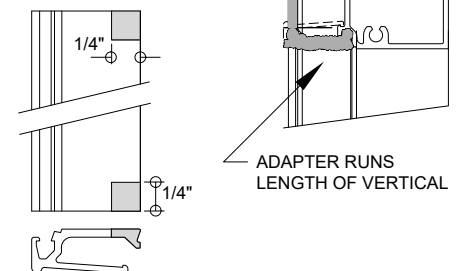


Figure 4

Figure 5



Laws and building and safety codes governing the design and use of glazed entrance, window, and curtain wall products vary widely. Kawneer does not control the selection of product configurations, operating hardware, or glazing materials, and assumes no responsibility therefor.

Kawneer reserves the right to change configuration without prior notice when deemed necessary for product improvement.

© Kawneer Company, Inc., 2009

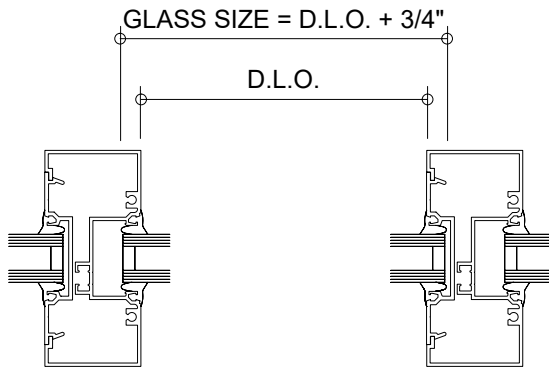
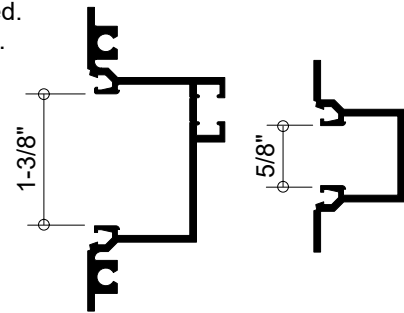
NOTE 1: All pockets for 1" infill are 1-3/8" in width and accept up to 1-1/8" glass dry glazed.
All pockets for 1/4" infill are 5/8" in width, and accept up to 3/8" glass dry glazed.

NOTE 2: Glass size is (Daylight Opening) D.L.O. + 3/4".

NOTE 3: This formula does not allow for undersize or out of square daylight openings.

NOTE 4: The glass manufacturer must indicate the specific glazing requirements for the material being used.

NOTE 5: See pages 35 or 38 for Dart Corner glass sizes.



GLAZING CHART for 1/4" SYSTEM

Infill Thickness	Weathering (Both Sides)
1/8"	027077 (Heavy)
1/4"	027074 (Standard)
3/8"	027076 (Light)

GLAZING CHART for 1" SYSTEM

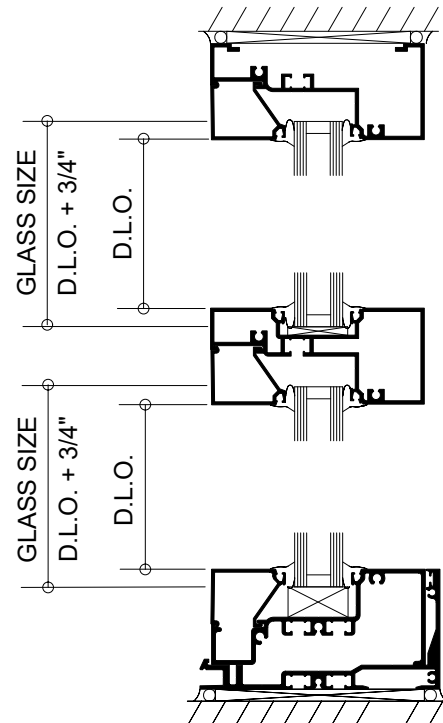
Infill Thickness	*Adapter	Weathering (Both Sides)
1/8"	451VG029	027077 (Heavy)
1/4"	451VG029	027074 (Standard)
3/8"	451VG029	027076 (Light)
1/2"	451VG030	027077 (Heavy)
5/8"	451VG030	027074 (Standard)
3/4"	451VG030	027076 (Light)
7/8"	—	027077 (Heavy)
1"	—	027074 (Standard)
1-1/8"	—	027076 (Light)

***NOTE:** For infill thickness in 1/16" increments or oversize and undersize glass, use a combination of the standard (027074) with either the light (027076) or heavy (027077) gaskets.



027077 (Heavy) 027074 (Standard) 027076 (Light)

***NOTE:** I.D. Marks = 3 for Heavy, 2 for light, and none for standard.



***NOTE:**
Snap-in glazing adapters 451VG029 and 451VG030 are provided for applications requiring infills less than 1" thickness at adapter.
Reference Section VIII, Glazing Adapters for adapter cut lengths and seal information.

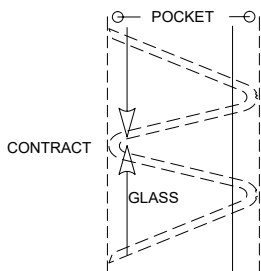
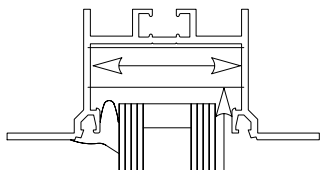
Laws and building and safety codes governing the design and use of glazed entrance, window, and curtain wall products vary widely. Kawneer does not control the selection of product configurations, operating hardware, or glazing materials, and assumes no responsibility therefor.

Kawneer reserves the right to change configuration without prior notice when deemed necessary for product improvement.
© Kawneer Company, Inc., 2009

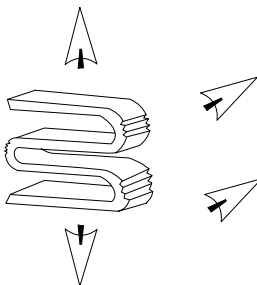
"W" SIDE BLOCKS

One "W" Side Block should be installed in the deep pocket of the mullion of each lite of glass in the opening.

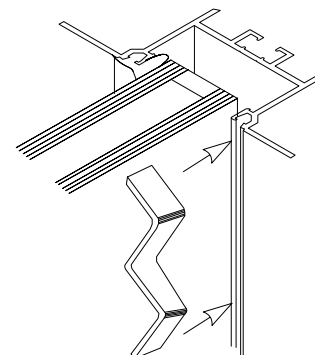
SIDE BLOCK INSTALLATION



STRETCH



FLATTEN BLOCK & SLIDE BETWEEN REGLET AND GLASS LITE



INSERT BETWEEN GLASS AND FRAME

"W" Block will expand and wedge between walls of glazing pocket and prevent glass from shifting into the deep pocket.

NOTE:

If deglazing of lite is required after "W" Block is installed, remove both interior and exterior weathering and use hook to pull "W" Block out of pocket.

GASKET AND GLASS STOP INSTALLATION

STEP 1: Cut horizontal and vertical gaskets to an approximate length of D.L.O. + 1/4" per foot of D.L.O.

STEP 2: Install gaskets on the side of frame opposite glass stop first. ①

Insert gasket into the horizontal members first starting at the ends and work toward the center as shown.

(see Figure 1)

Install vertical gasket into the same side of frame after horizontal gaskets are in place in the same manner.

STEP 3: Position setting blocks at points under glass as required.

STEP 4: Install glass into frame using standard flush glazing technique. ②

STEP 5: Run bead of sealant along vertical reglets where glass stop meets, then install glass stop. ③

STEP 6: Install horizontal and vertical gasket into glass stop side of frame in the same manner as described in Step 2.

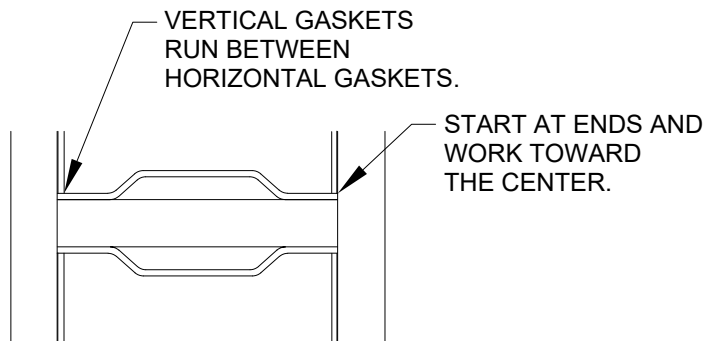
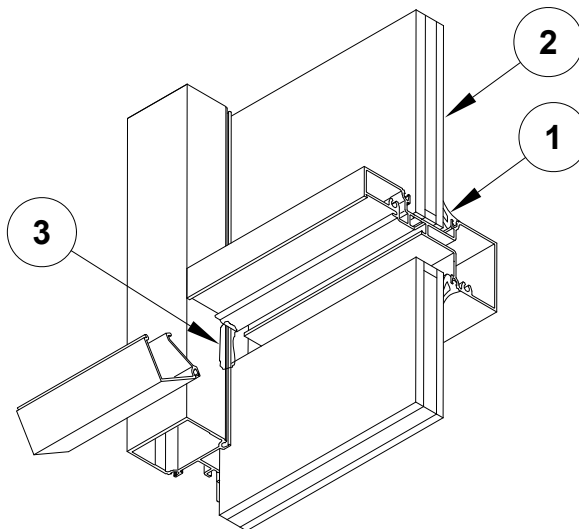


Figure 1



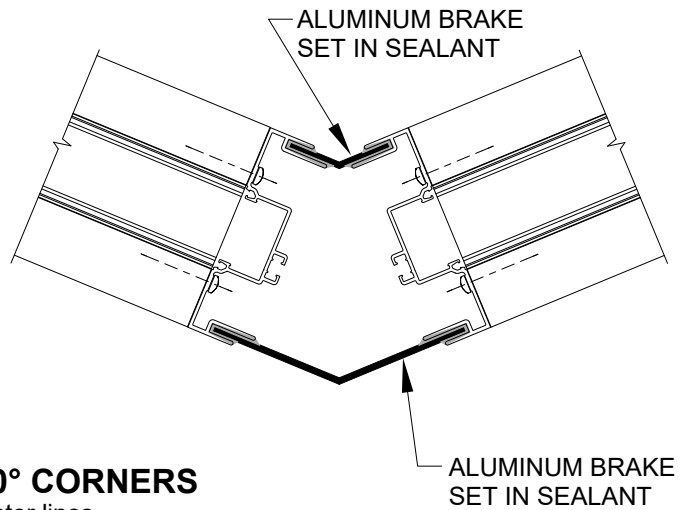
Laws and building and safety codes governing the design and use of glazed entrance, window, and curtain wall products vary widely. Kawneer does not control the selection of product configurations, operating hardware, or glazing materials, and assumes no responsibility therefor.

Kawneer reserves the right to change configuration without prior notice when deemed necessary for product improvement.

© Kawneer Company, Inc., 2009

ADJUSTABLE CORNERS

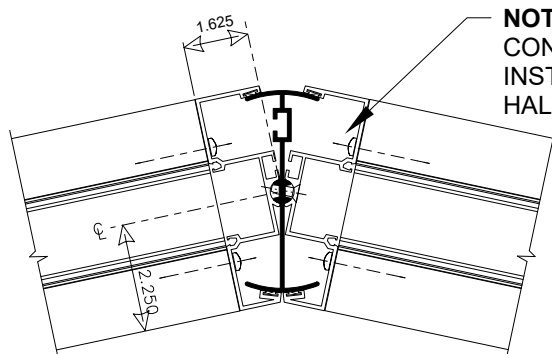
Use the same preps as are required for the standard vertical.



PIVOTED INSIDE AND OUTSIDE 155° TO 180° CORNERS

NOTE: Layout and cut sizes can be determined using pivot center lines.

Corner parts and fabrication are the same when flipped for outside corners.



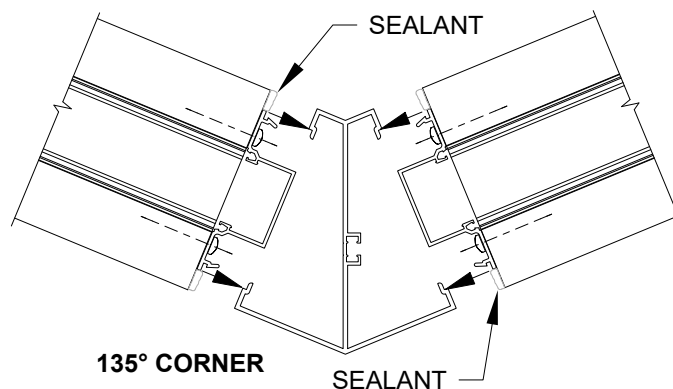
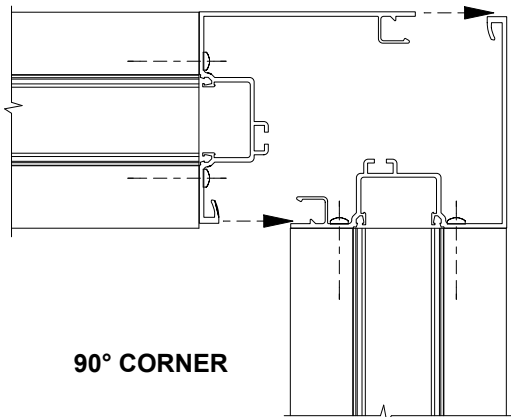
NOTE: CONTINUOUS WEATHERING INSTALLED INTO BOTH CORNER HALVES BEFORE ASSEMBLY (4) PLACES.

Use the same fabrication methods as required for standard verticals. Drill (#26) and countersink 0.147 diameter holes for assembly screws (#10 x 9/16"). Fasten together with supplied screws. Screws should be located 6" from each end and 24" on center.

SNAP CORNERS

Snap corners together as shown.

NOTE: Tight snaps may be waxed to make engagement easier. Corners are not designed to be unsnapped.



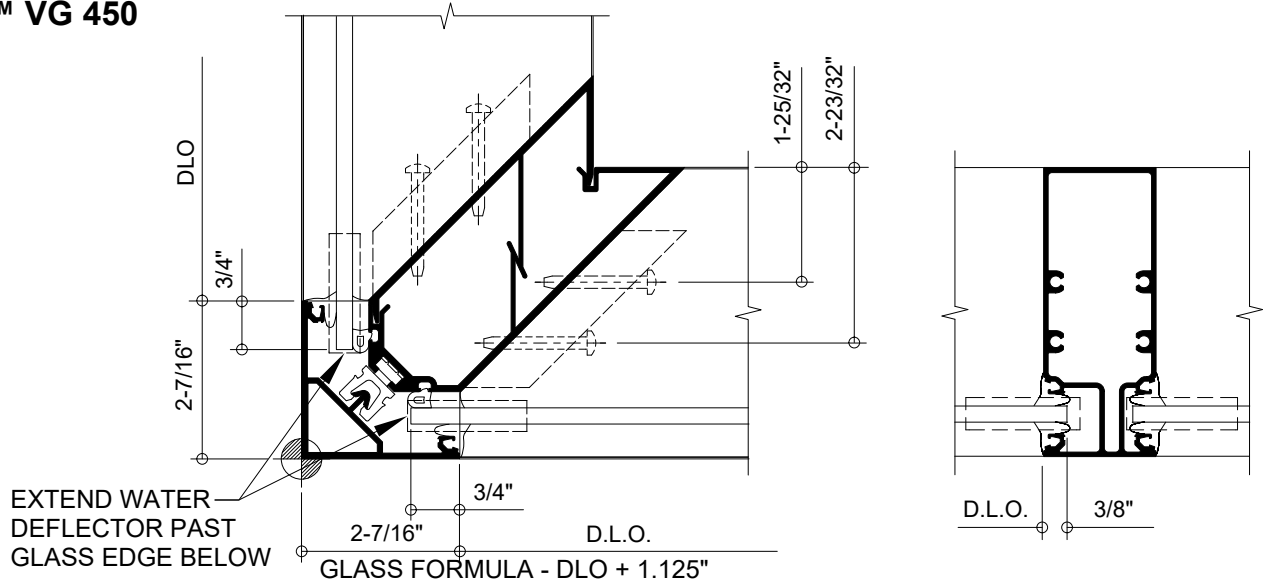
Laws and building and safety codes governing the design and use of glazed entrance, window, and curtain wall products vary widely. Kawneer does not control the selection of product configurations, operating hardware, or glazing materials, and assumes no responsibility therefor.

Kawneer reserves the right to change configuration without prior notice when deemed necessary for product improvement.
© Kawneer Company, Inc., 2009

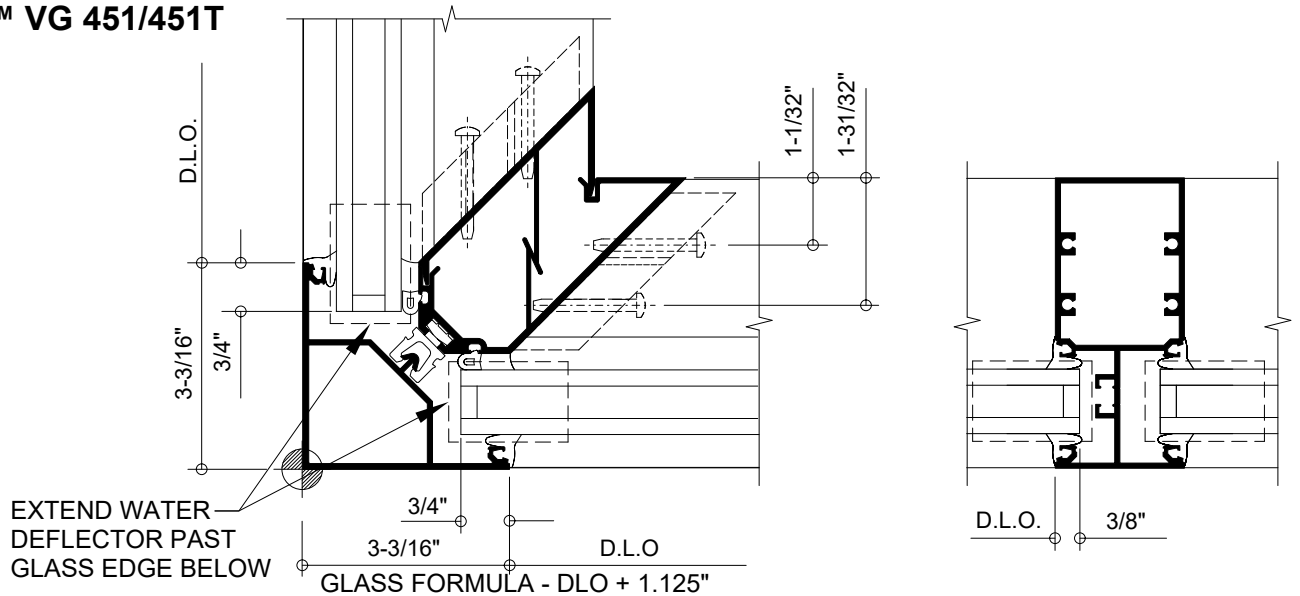
90° DART CORNERS

- STEP 1:** Cut mullion halves and cover to required length (Frame Height).
- STEP 2:** Cut horizontal to length = Daylight opening. Miter as shown on the following pages
- STEP 3:** Cut glass stops to D.L.O. - 1/16". Miter inside glaze glass stop as shown on the following pages
- STEP 4:** Drill mullion halves for shear blocks as shown below. Use the fabricated clip as a template.
- STEP 5:** Attach shear blocks using (2) #028400 (#10 x 1-19/32") pan head screws.
- STEP 6:** Fabricate horizontals for (1) #128345 (#10 x 9/16") flat head screw as shown on the following pages

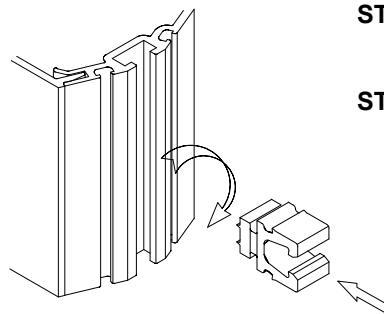
Trifab™ VG 450



Trifab™ VG 451/451T



STEP 7: Prior to installing cover, install 250299 glazing clip into vertical as shown. These clips should be located no more than 9" O.C. and no more than 3" from the ends of mullions.



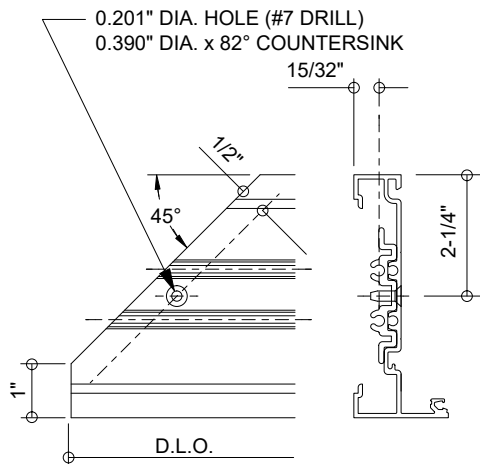
STEP 7A: Push clip (250299) into mullion reglet.

STEP 7B: Twist clip 1/4 turn clockwise to lock in place.

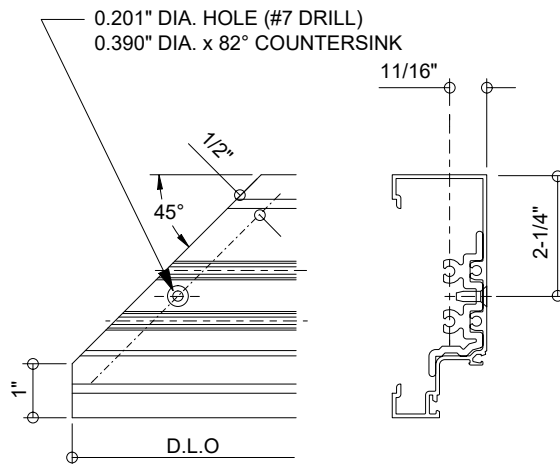
Laws and building and safety codes governing the design and use of glazed entrance, window, and curtain wall products vary widely. Kawneer does not control the selection of product configurations, operating hardware, or glazing materials, and assumes no responsibility therefor.

Kawneer reserves the right to change configuration without prior notice when deemed necessary for product improvement.
© Kawneer Company, Inc., 2009

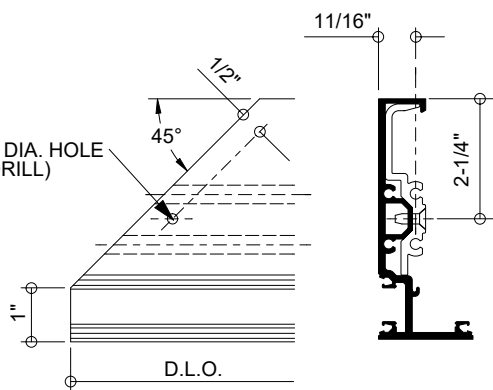
90° DART CORNERS FOR Trifab™ VG 450



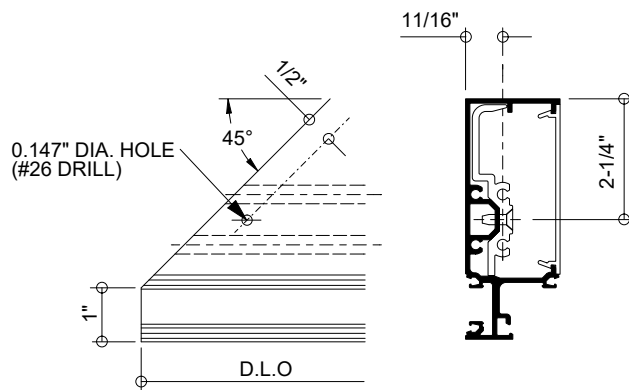
**INSIDE GLAZED HEAD
CUT LENGTH = DLO**



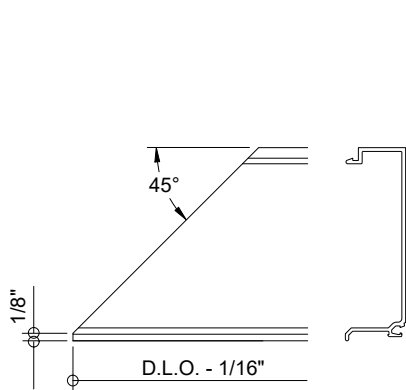
**OUTSIDE GLAZED HEAD
CUT LENGTH = DLO**



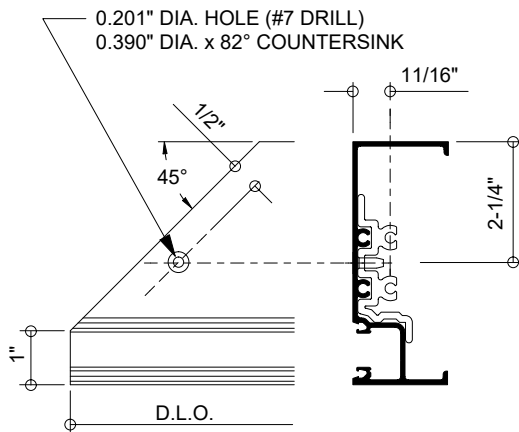
**INSIDE GLAZED HORIZONTAL
CUT LENGTH = DLO**



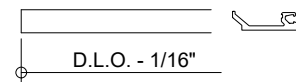
**OUTSIDE GLAZED HORIZONTAL
CUT LENGTH = DLO**



**INSIDE GLAZED GLASS STOP
CUT LENGTH = DLO - 1/16\"**



**INSIDE OR OUTSIDE GLAZED SILL
CUT LENGTH = DLO**

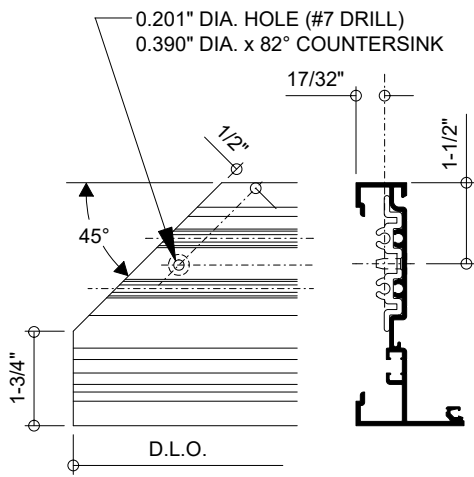


**OUTSIDE GLAZED HORIZONTAL
CUT LENGTH = DLO - 1/16\"**

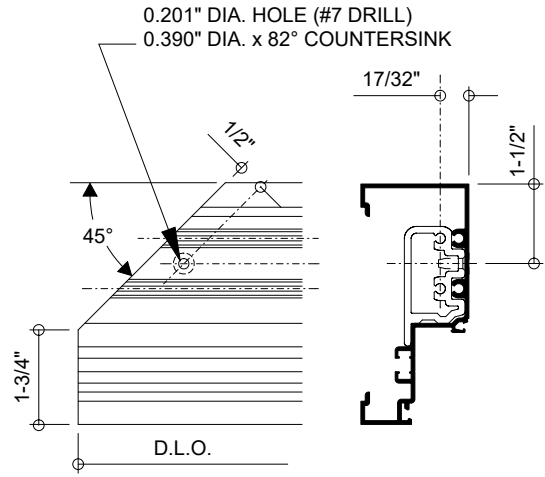
Laws and building and safety codes governing the design and use of glazed entrance, window, and curtain wall products vary widely. Kawneer does not control the selection of product configurations, operating hardware, or glazing materials, and assumes no responsibility therefor.

Kawneer reserves the right to change configuration without prior notice when deemed necessary for product improvement.
© Kawneer Company, Inc., 2009

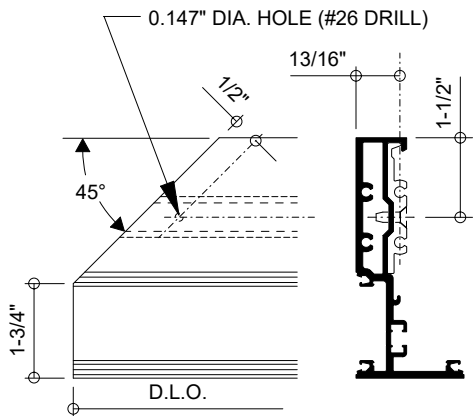
90° DART CORNERS FOR Trifab™ VG 451/451T



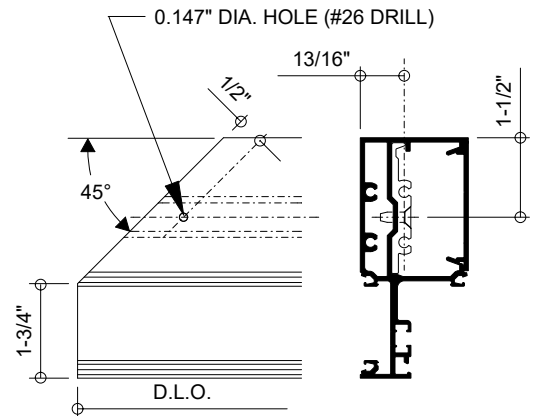
**INSIDE GLAZED HEAD
CUT LENGTH = DLO**



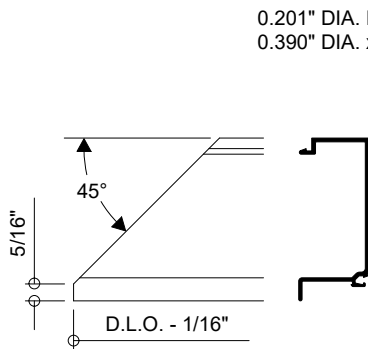
**OUTSIDE GLAZED HEAD
CUT LENGTH = DLO**



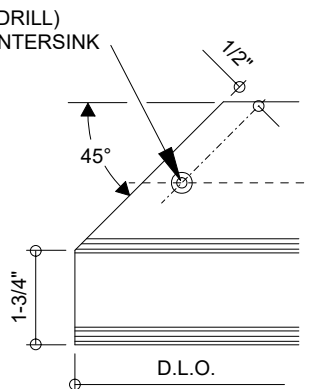
**INSIDE GLAZED HORIZONTAL
CUT LENGTH = DLO**



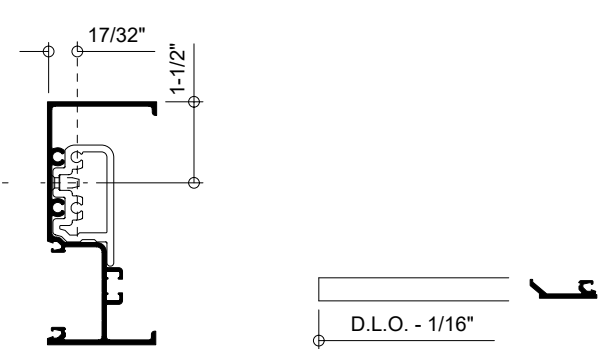
**OUTSIDE GLAZED HORIZONTAL
CUT LENGTH = DLO**



**INSIDE GLAZED GLASS STOP
CUT LENGTH = DLO - 1/16"**



**INSIDE OR OUTSIDE GLAZED SILL
CUT LENGTH = DLO**



**OUTSIDE GLAZED GLASS STOP
CUT LENGTH = DLO - 1/16"**

Laws and building and safety codes governing the design and use of glazed entrance, window, and curtain wall products vary widely. Kawneer does not control the selection of product configurations, operating hardware, or glazing materials, and assumes no responsibility therefor.

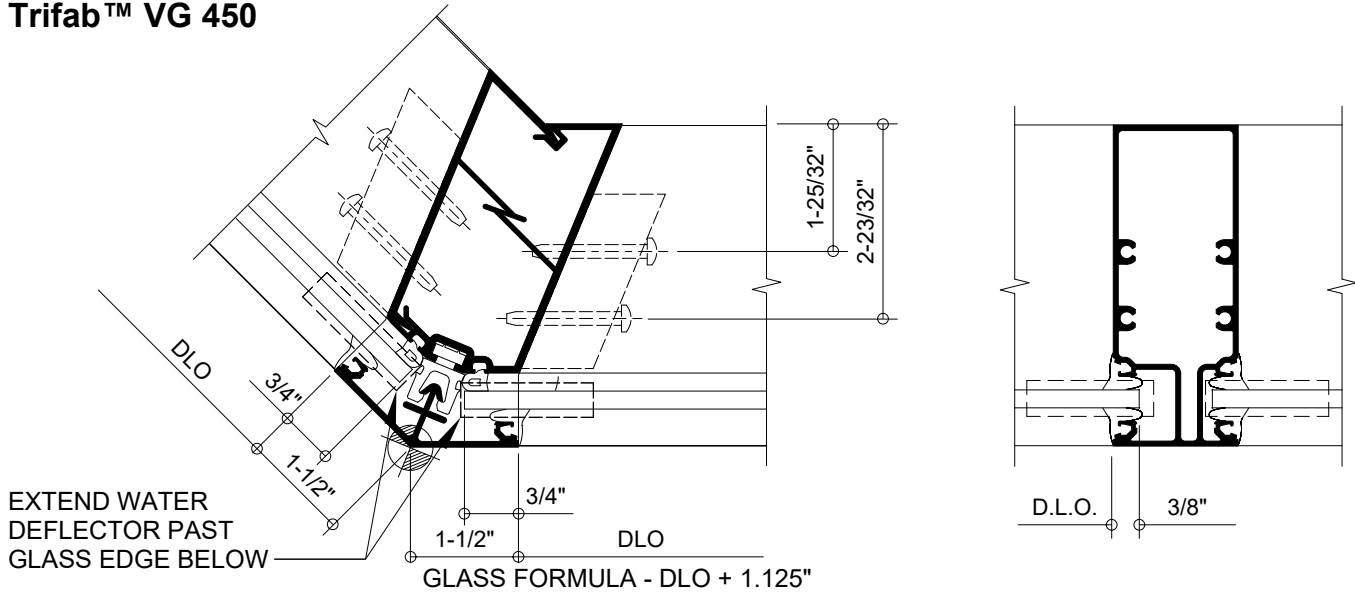
Kawneer reserves the right to change configuration without prior notice when deemed necessary for product improvement.

© Kawneer Company, Inc., 2009

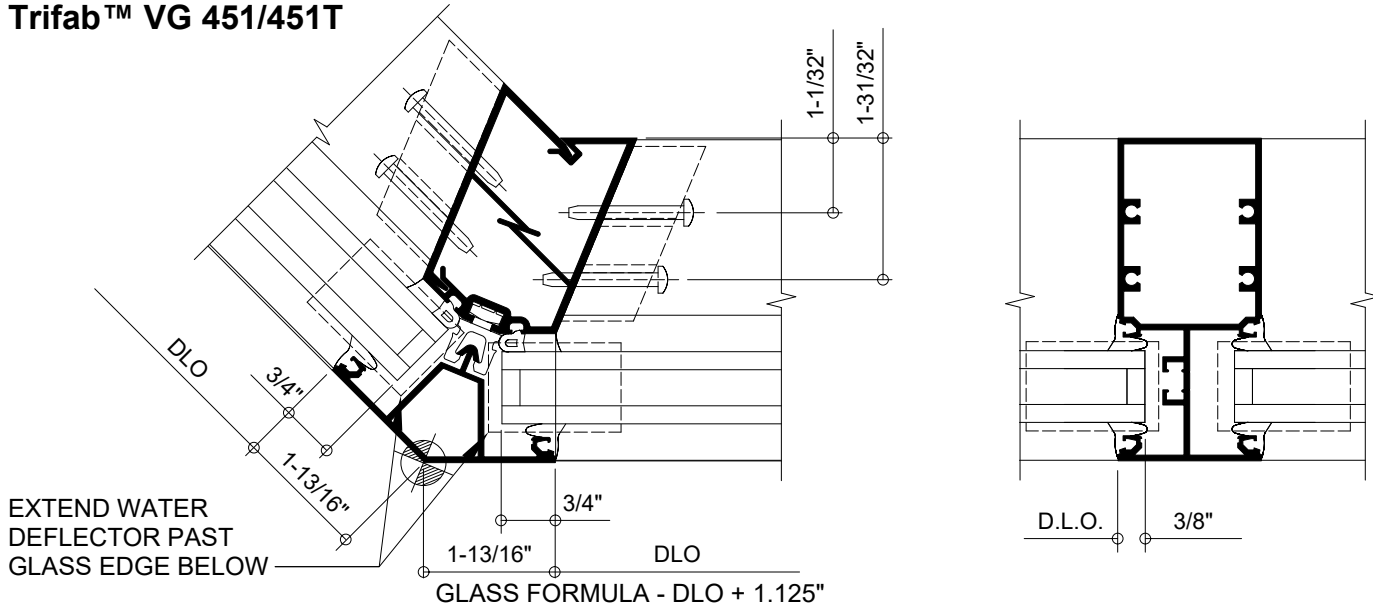
90° DART CORNERS

- STEP 1:** Cut mullion halves and cover to required length (Frame Height).
- STEP 2:** Cut horizontal to length = Daylight opening. Miter as shown on the following pages.
- STEP 3:** Cut glass stops to D.L.O. - 1/16". Miter inside glaze glass stop as shown on the following pages.
- STEP 4:** Drill mullion halves for shear blocks as shown below. Use the fabricated clip as a template.
- STEP 5:** Attach shear blocks using (2) #028400 (#10 x 1-19/32") pan head screws.
- STEP 6:** Fabricate horizontals for (1) #128345 (#10 x 9/16") flat head screw as shown on the following pages.

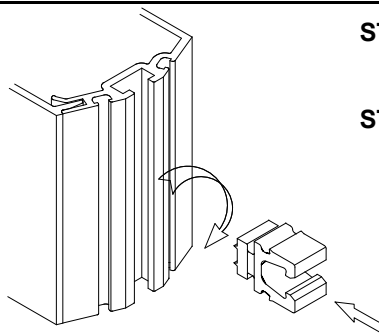
Trifab™ VG 450



Trifab™ VG 451/451T



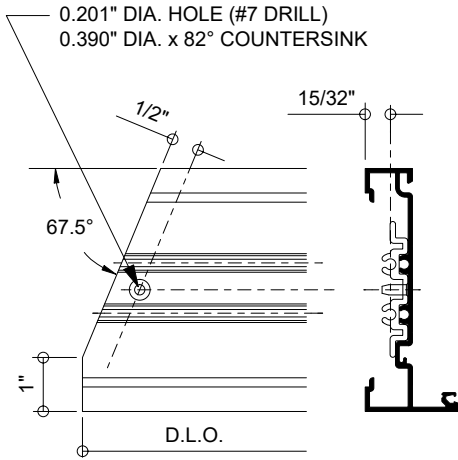
STEP 7: Prior to installing cover, install 250299 glazing clip into vertical as shown. These clips should be located no more than 9" O.C. and no more than 3" from the ends of mullions.



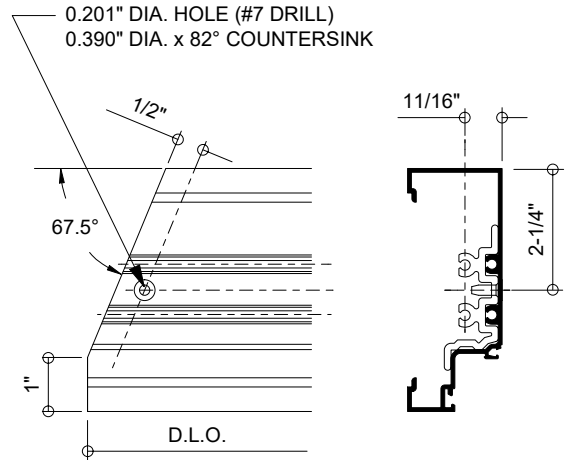
STEP 7A: Push clip (250299) into mullion reglet.

STEP 7B: Twist clip 1/4 turn clockwise to lock in place.

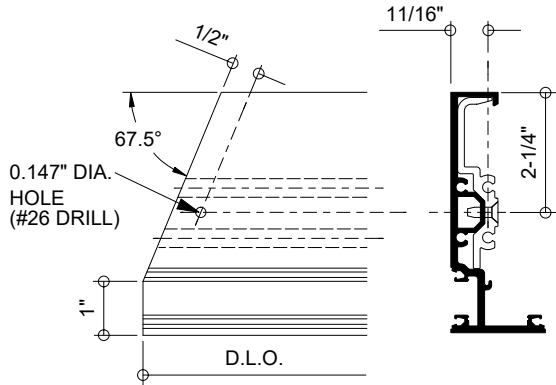
135° DART CORNERS FOR Trifab™ VG 450



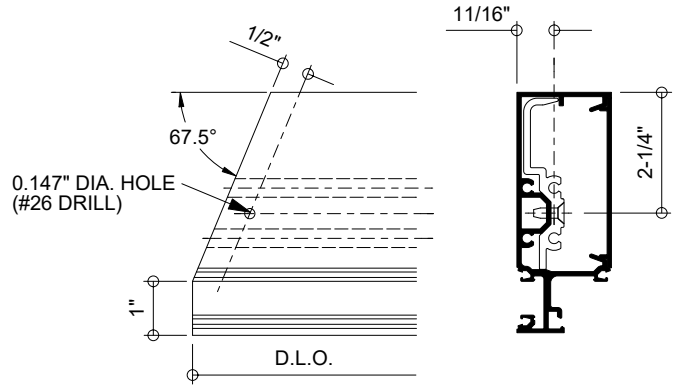
INSIDE GLAZED HEAD
CUT LENGTH = DLO



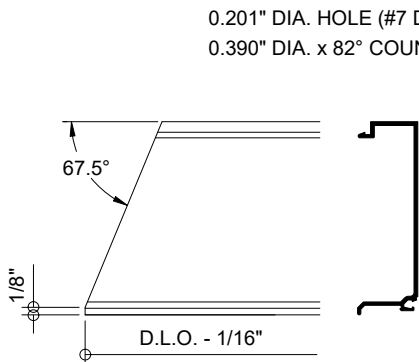
OUTSIDE GLAZED HEAD
CUT LENGTH = DLO



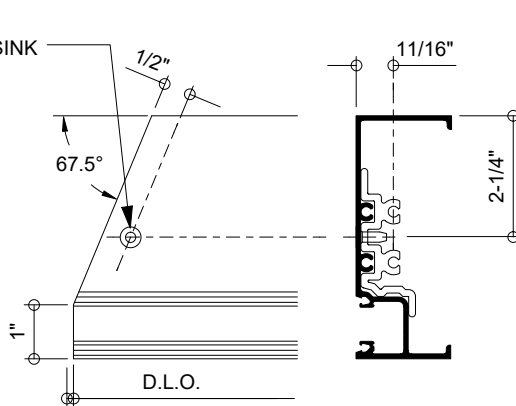
INSIDE GLAZED HORIZONTAL
CUT LENGTH = DLO



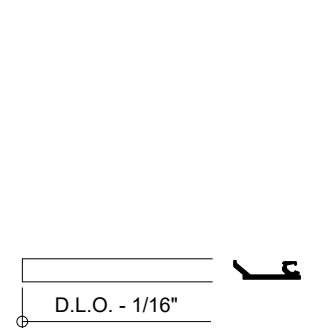
OUTSIDE GLAZED HORIZONTAL
CUT LENGTH = DLO



INSIDE GLAZED GLASS STOP
CUT LENGTH = DLO - 1/16"



INSIDE OR OUTSIDE GLAZED SILL
CUT LENGTH = DLO



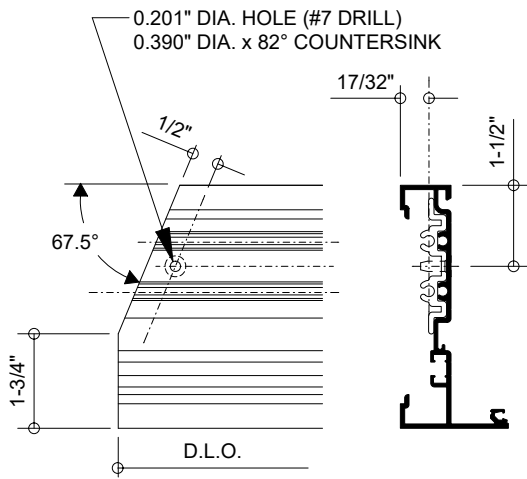
OUTSIDE GLAZED GLASS STOP
CUT LENGTH = DLO - 1/16"

Laws and building and safety codes governing the design and use of glazed entrance, window, and curtain wall products vary widely. Kawneer does not control the selection of product configurations, operating hardware, or glazing materials, and assumes no responsibility therefor.

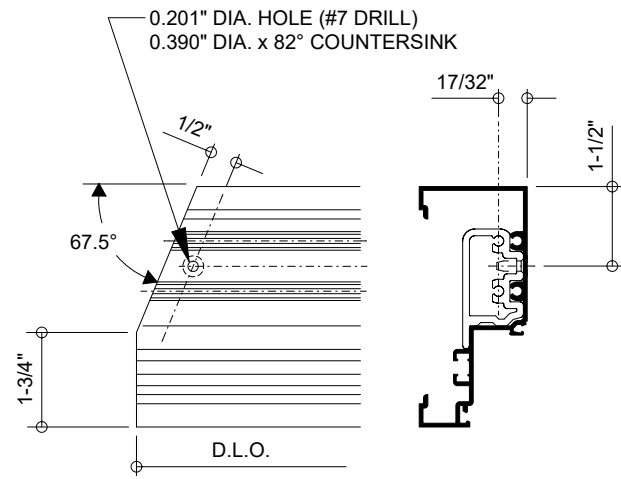
Kawneer reserves the right to change configuration without prior notice when deemed necessary for product improvement.

© Kawneer Company, Inc., 2009

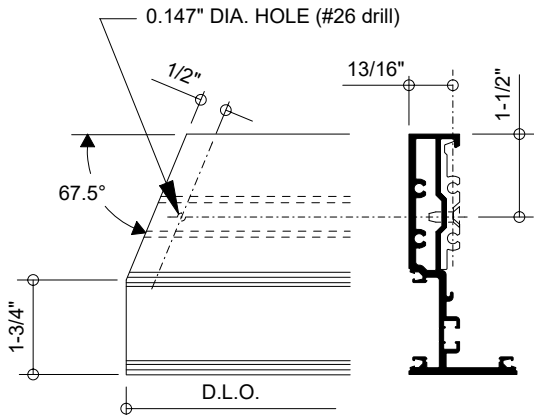
135° DART CORNERS FOR Trifab™ VG 451/451T



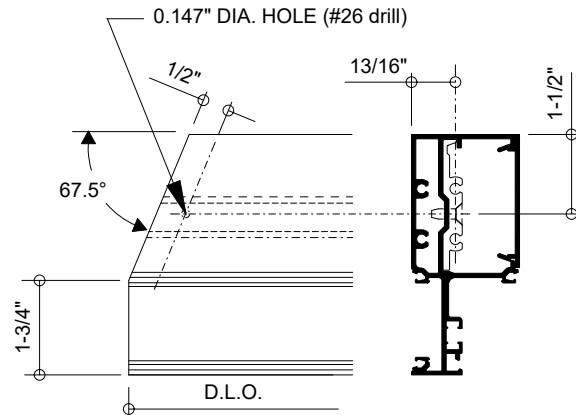
**INSIDE GLAZED HEAD
CUT LENGTH = DLO**



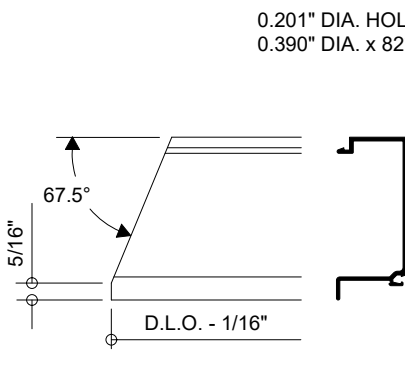
**OUTSIDE GLAZED HEAD
CUT LENGTH = DLO**



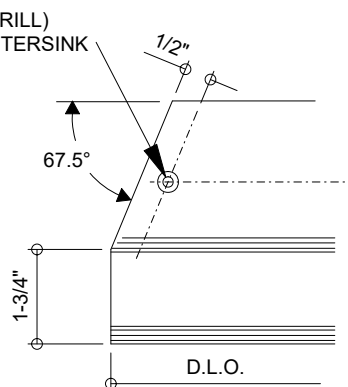
**INSIDE GLAZED HORIZONTAL
CUT LENGTH = DLO**



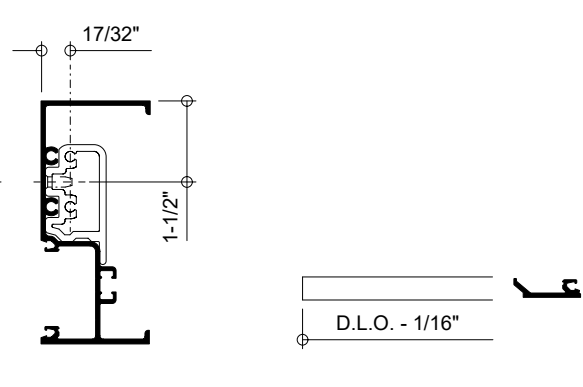
**OUTSIDE GLAZED HORIZONTAL
CUT LENGTH = DLO**



**INSIDE GLAZED GLASS STOP
CUT LENGTH = DLO - 1/16"**



**INSIDE OR OUTSIDE GLAZED SILL
CUT LENGTH = DLO**



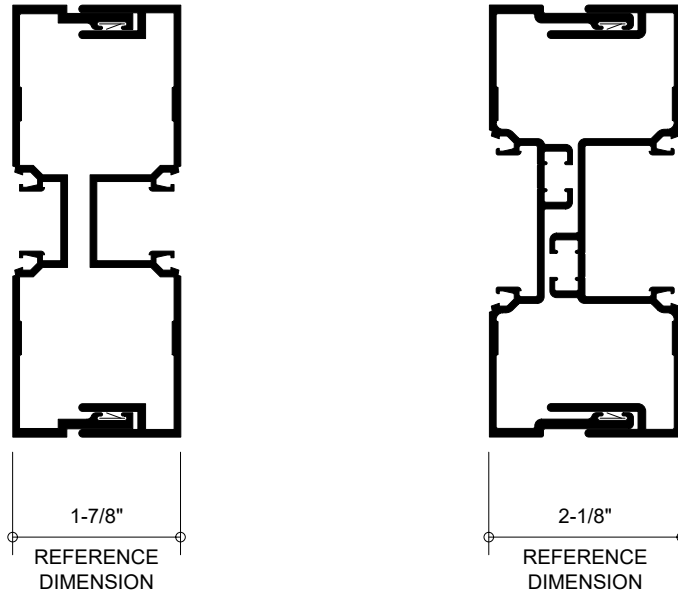
**OUTSIDE GLAZED GLASS STOP
CUT LENGTH = DLO - 1/16"**

Laws and building and safety codes governing the design and use of glazed entrance, window, and curtain wall products vary widely. Kawneer does not control the selection of product configurations, operating hardware, or glazing materials, and assumes no responsibility therefor.

Kawneer reserves the right to change configuration without prior notice when deemed necessary for product improvement.

© Kawneer Company, Inc., 2009

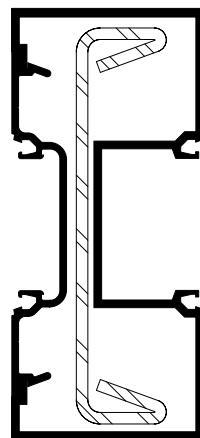
An Expansion Mullion is to be used every 20' in large openings, regardless of the method of construction. The dimension of the assembly should be adjusted based on the temperature at the time of assembly and expected high and low service temperature. (For examples, the sight line will be reduced slightly when installed in hot weather and increased slightly when installed in cold weather).



SECTION XII - STEEL REINFORCING

Steel reinforcement should run the full length of the mullion and be shimmed or fastened into place to prevent movement of the steel in the mullion. The cut ends of the steel reinforcing must be coated with a corrosion-inhibiting primer before installation.

NOTE: For Trifab™ VG 451 center plane applications, when steel reinforcing is required, the non-thermal split mullion without thermal pockets must be used.



SPLIT MULLION WITH 450110 STEEL REINFORCING

Laws and building and safety codes governing the design and use of glazed entrance, window, and curtain wall products vary widely. Kawneer does not control the selection of product configurations, operating hardware, or glazing materials, and assumes no responsibility therefor.

Kawneer reserves the right to change configuration without prior notice when deemed necessary for product improvement.
© Kawneer Company, Inc., 2009

FOR CENTER GLAZED OPTION USING NON-THERMAL, 2-PIECE VERTICAL ONLY

NOTE: Project windloads may produce end load reactions at the vertical mullions that may require additional anchors. Consult Application Engineering for review of narrow sidelite base applications.

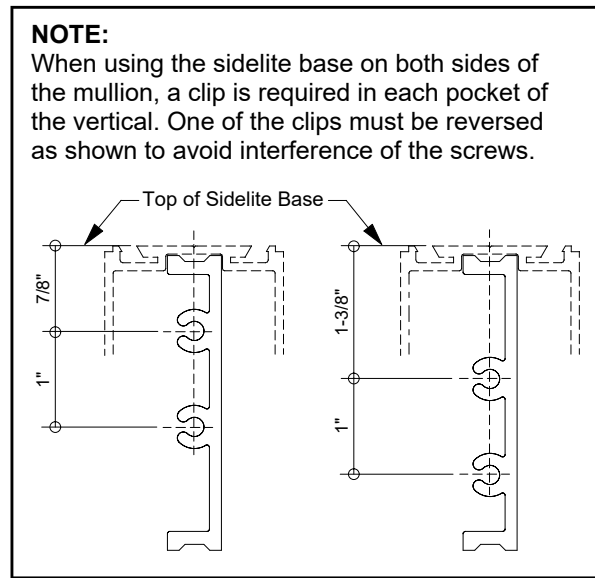
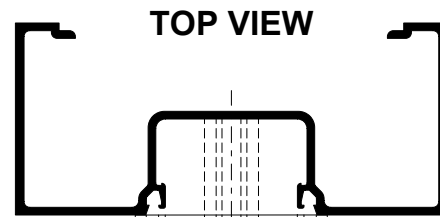
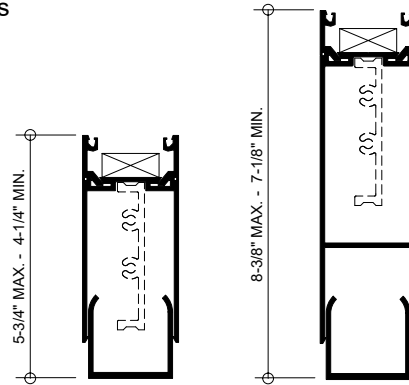
Determine height of Sidelite Base.
Common bottom door rail heights are shown below.

STANDARD BASE

- 190 Door with Threshold ----- 5-1/16"
- 190 Door without Threshold ----- 4-9/16"

TALL BASE

- 350/500 Door with Threshold ----- 5-1/16"
- 350/500 Door without Threshold ----- 4-9/16"



DRILL WITH #26 DRILL AND COUNTERSINK. USE 128345 SCREW CENTERED IN POCKET.

SEAL INTERIOR GLASS STOP CONTINUOUSLY ACROSS OPENING AND TO VERTICAL AT ENDS.

DRILL THROUGH SPLINES OF CLIP WITH #26 DRILL INTO POCKET OF VERTICAL. SECURE CLIP TO VERTICAL WITH (2) (#128354) #10 x 2-5/8" P.H. SCREWS, CLIP IS CENTERED IN POCKET.

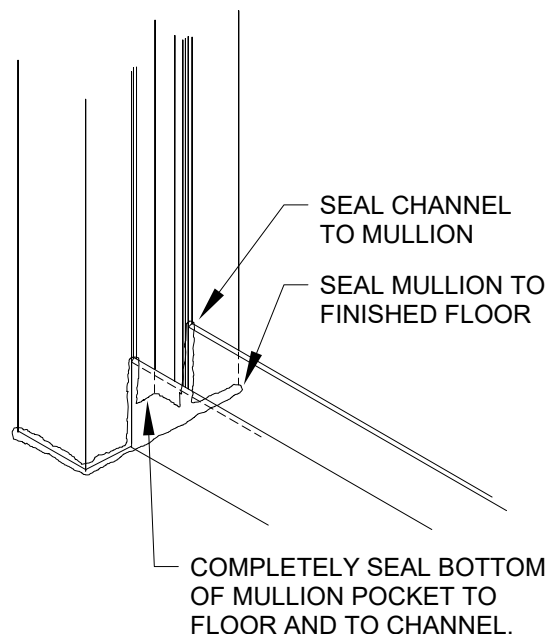
129345 SCREWS AT SETTING BLOCK POINTS.

1/4" WEEP HOLES AT 1/4 POINTS OF CHANNEL (TYP.)

SET IN BED OF SEALANT

SEAL OVER HEADS OF PERIMETER FASTENERS

ANCHOR TO MASONRY

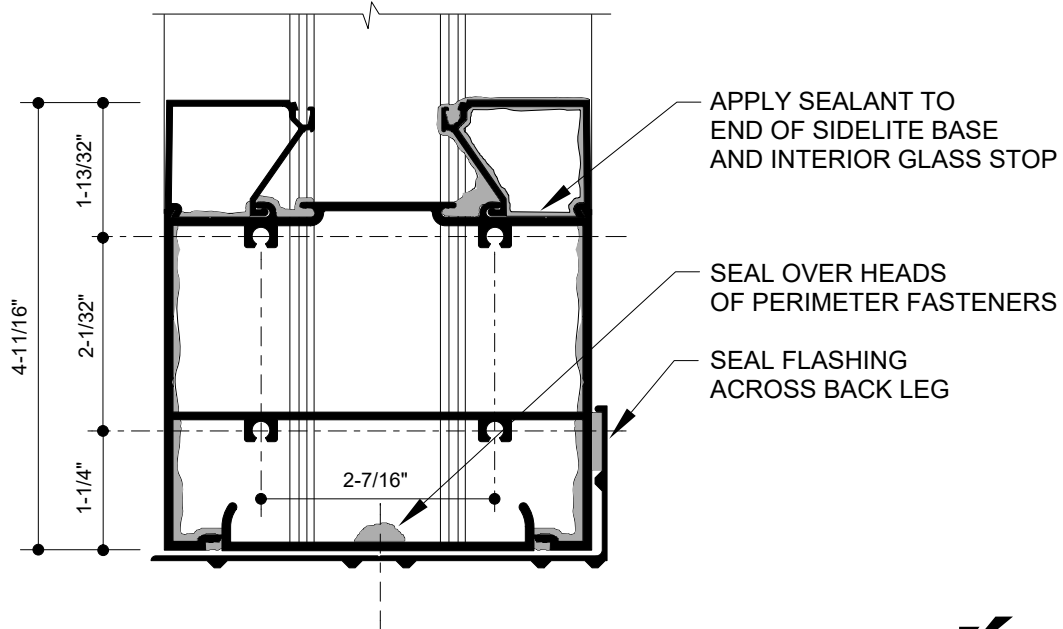
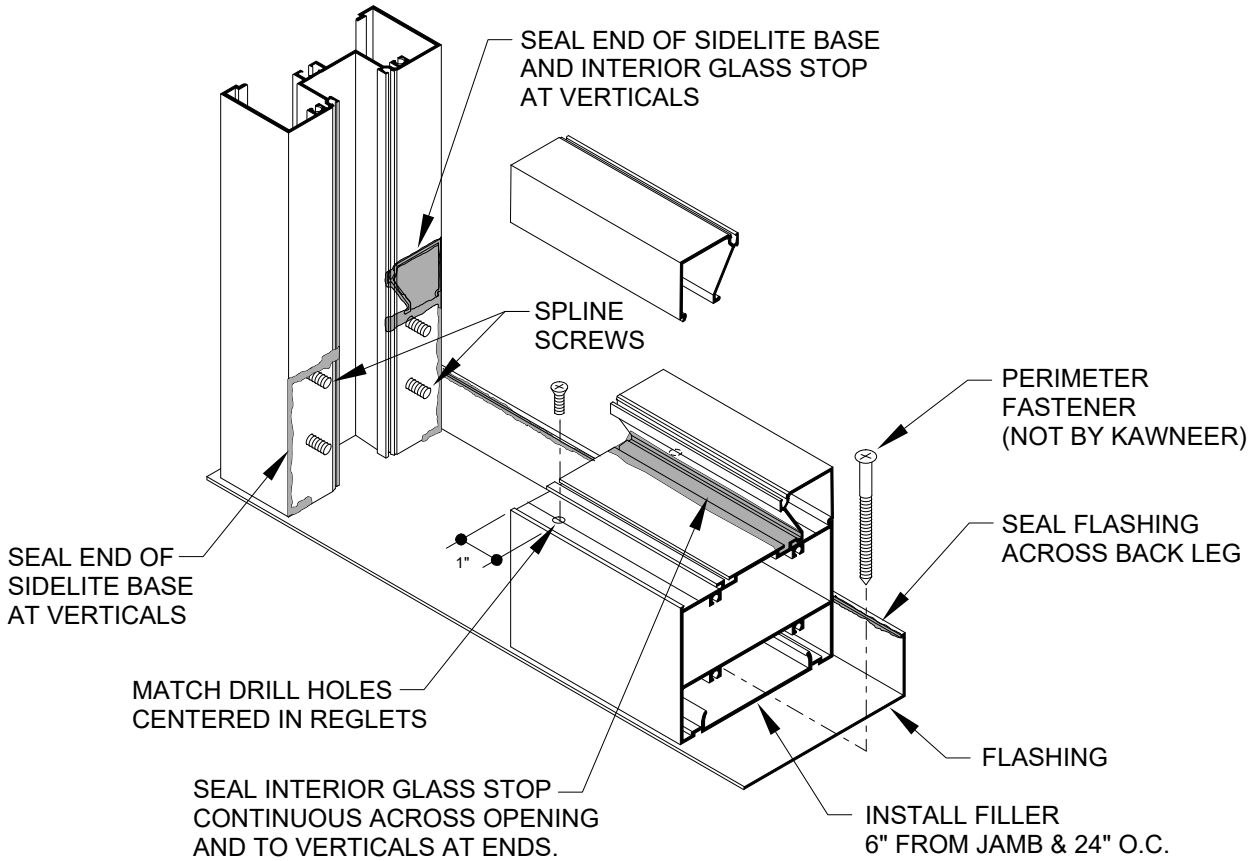


Laws and building and safety codes governing the design and use of glazed entrance, window, and curtain wall products vary widely. Kawneer does not control the selection of product configurations, operating hardware, or glazing materials, and assumes no responsibility therefor.

Kawneer reserves the right to change configuration without prior notice when deemed necessary for product improvement.
© Kawneer Company, Inc., 2009

FOR CENTER GLAZED OPTION

SCREW SPLINE CENTER OPTION ONLY



Laws and building and safety codes governing the design and use of glazed entrance, window, and curtain wall products vary widely. Kawneer does not control the selection of product configurations, operating hardware, or glazing materials, and assumes no responsibility therefor.

Kawneer reserves the right to change configuration without prior notice when deemed necessary for product improvement.

© Kawneer Company, Inc., 2009



**KAWNEER COMPANY, INC.
TECHNOLOGY PARK/ATLANTA
555 GUTHRIDGE COURT
NORCROSS, GEORGIA 30092**